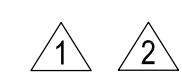


DOOR NO.	LOCATION		DOOR ELEV.	DOOR MATL.	DOOR SIZE			FRAME ELEV.	DOOR DETAILS				REMARKS	H.D.W.R. SET NO.		
	FROM	TO			WIDTH	HEIGHT	TH'K		HEAD	SILL	JAMB	JAMB				
1	26	EXT.	A	HM.	PR.	3'-0"	7'-0"	1 3/4"	A	1A501	15A501	8A501	8A501		12	
2	21	EXT.	↑	↑	↑	↑	↑	↑	↑	1A501	16A501	9A501	9A501		9	
3	19	EXT.								1A501	15A501	8A501	8A501		12	
4	18	19								2A501	16A501	9A501	9A501		9	
5	1	EXT.								1A501	15A501	8A501	8A501		12	
6	8	1		HM.	PR.	3'-0"				2A501	16A501	9A501	9A501		9	
7	25	21	↓	WD.		3'-0"									8	
8	24	21	A	↑											8	
9	CHS	21	B											3/4 HR. DR & FRAME	3	
10	23	21	A												8	
11	22	21	↑												8	
12	14	8													8	
13	13	8													8	
14	17	8													8	
15	16	17													10	
16	16	15	↓												10	
17	15	18	A												8	
18	12	8	B			3'-0"								20 MIN. DR & FRAME	3	
19	CHS	12	↑			2'-4"									5	
20	MECH	12	↑			3'-0"									5	
21	10	8												20 MIN. DR & FRAME	3	
22	9	10	↓												5	
23	CHS	9	B											3/4 HR. DR & FRAME	3	
24	6	8	A												8	
25	4	6	↑												10	
26	4	2													10	
27	2	8													8	
28	3	8													8	
29	5	3													10	
30	5	7	↓												10	
31	7	8	A												8	
32	---	---	B			3'-0"								11 LOCATIONS	5	
33	---	---	C			2'-0"								8 LOCATIONS	4	
34	---	---	C			3'-0"								2 LOCATIONS	4	
35	EXIST	20	B	↓		PR. 3'-0"					2A501	16A501	29A501	29A501	1 HR. DR & FRAME	7
36	CHASE	8	B	WD.		2'-0"	7'-0"	1 3/4"	A		2A501	16A501	9A501	9A501	20 MIN. DR & FRAME	3

**OFFICE AREA**

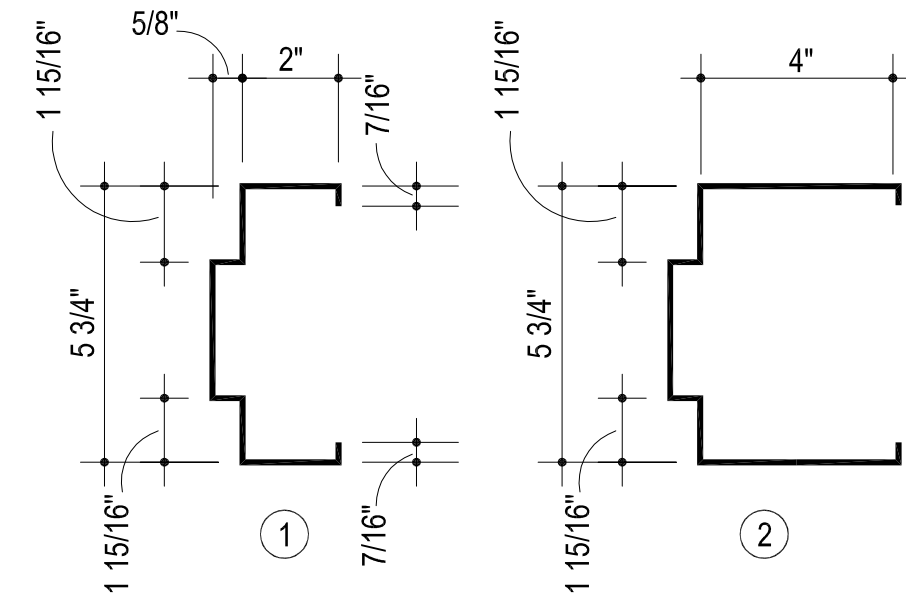
O1	27	EXT	D	ALUM.	PR.	3'-0"	7'-0"	1 3/4"	B	17A501	15A501	24A501	24A501		1
O2	27	EXT	D	ALUM.	PR.	3'-0"			B	17A501	15A501	24A501	24A501		1
O3	28	27	D	ALUM.	PR.	3'-0"			B	17A501	16A501	24A501, SIM	24A501, SIM		2
O4	28	27	B	ALUM.	PR.	3'-0"			B	17A501	16A501	24A501, SIM	24A501, SIM		2
O5	28	27	D	ALUM.	3'-0"				D	17A501	16A501	24A501, SIM	24A501, SIM		14
O6	28	29	A	WD.					A	2A501	16A501	9A501	9A501	3/4 HR. DR & FRAME	13
O7	28	EXIST	↑	↑					↑	↑	↑	↑	↑		13
O8	EXIST	40	↓	↓					↓	↓	↓	↓	↓	3/4 HR. DR & FRAME	6
O9	39	38	A												10
O10	39	35	B												11
O11	39	37	A												10
O12	39	34	B												11
O13	39	36	A												4
O14	CHS	31	B												3
O15	31	33	B												11
O16	32	31	A												10
O17	29	30	B	WD.		3'-0"	7'-0"	1 3/4"	A		2A501	16A501	9A501	9A501	5

**1 DOOR SCHEDULE**

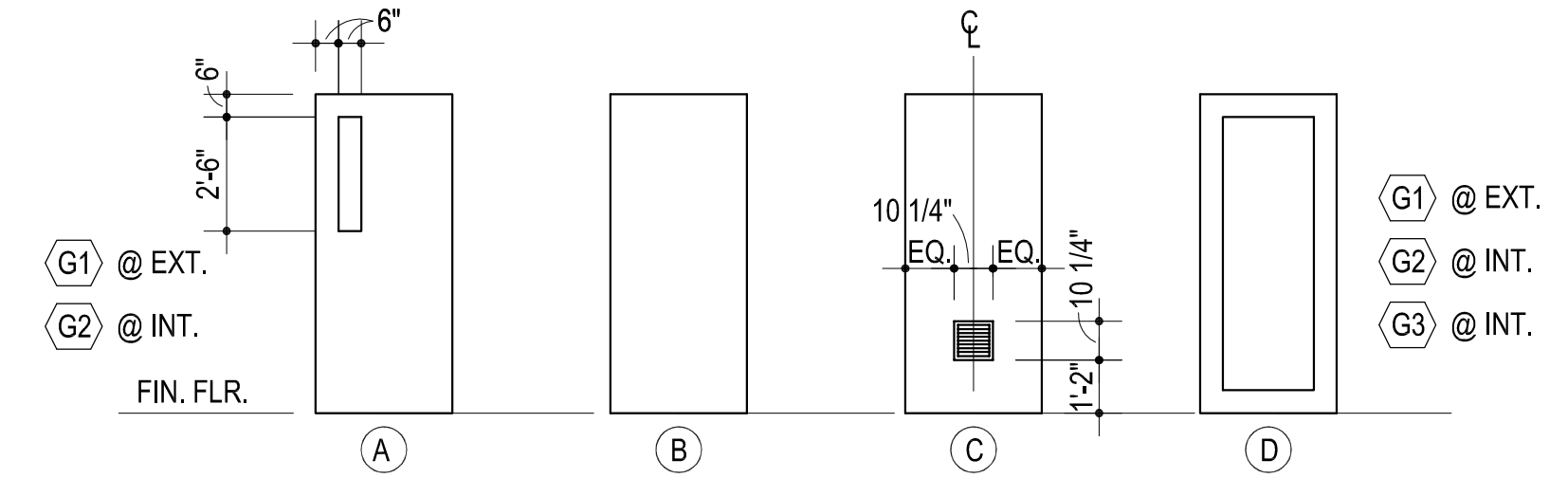


- G1 7/8" NOM. TEMPERED INSULATING GLASS
- G2 1/4" CLEAR TEMPERED GLASS
- G3 1/4" FIRE RATED GLASS
- G4 1/4" IMPACT RESISTANT GLASS
- G5 7/8" IMPACT RESISTANT INSULATING GLASS

**2 GLAZING SCHEDULE**

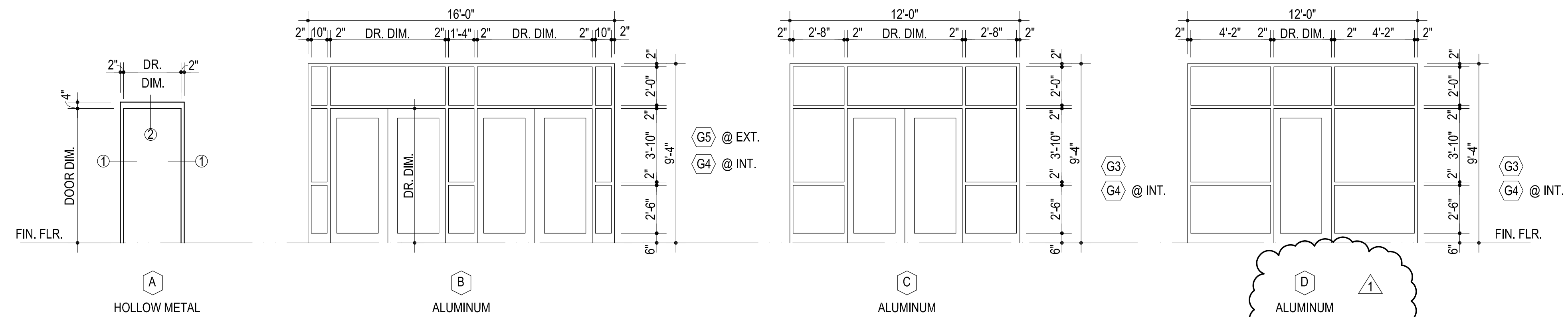


**3 FRAME PROFILE**

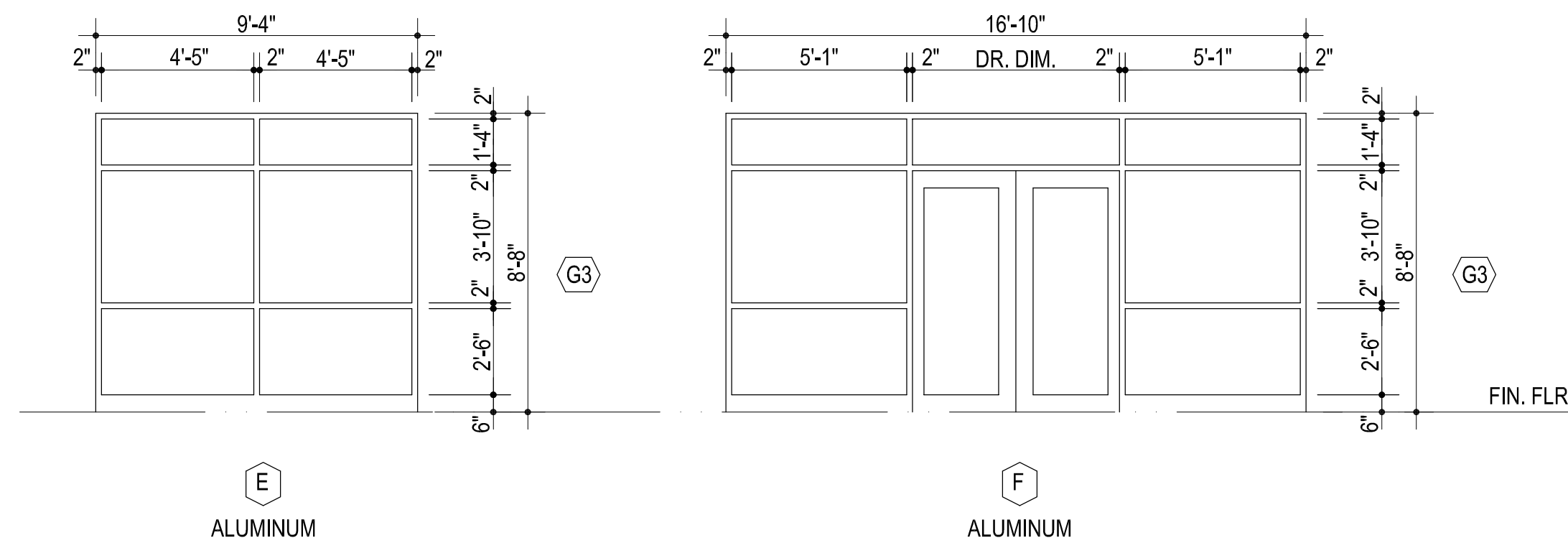


**4 DOOR ELEVATIONS**

PROVIDE LOUVER "IN DOOR" EQUAL TO ACP MODEL NO. STEEL ADL8X8. DOOR MFR TO PROVIDE "RAILS" ALL AROUND OPENING. ATTACH W/ TAMPERPROOF SCREWS



**5 DOOR FRAME ELEVATIONS**



**6 DOOR & WINDOW FRAME ELEVATION @ EXISTING DOOR #2**

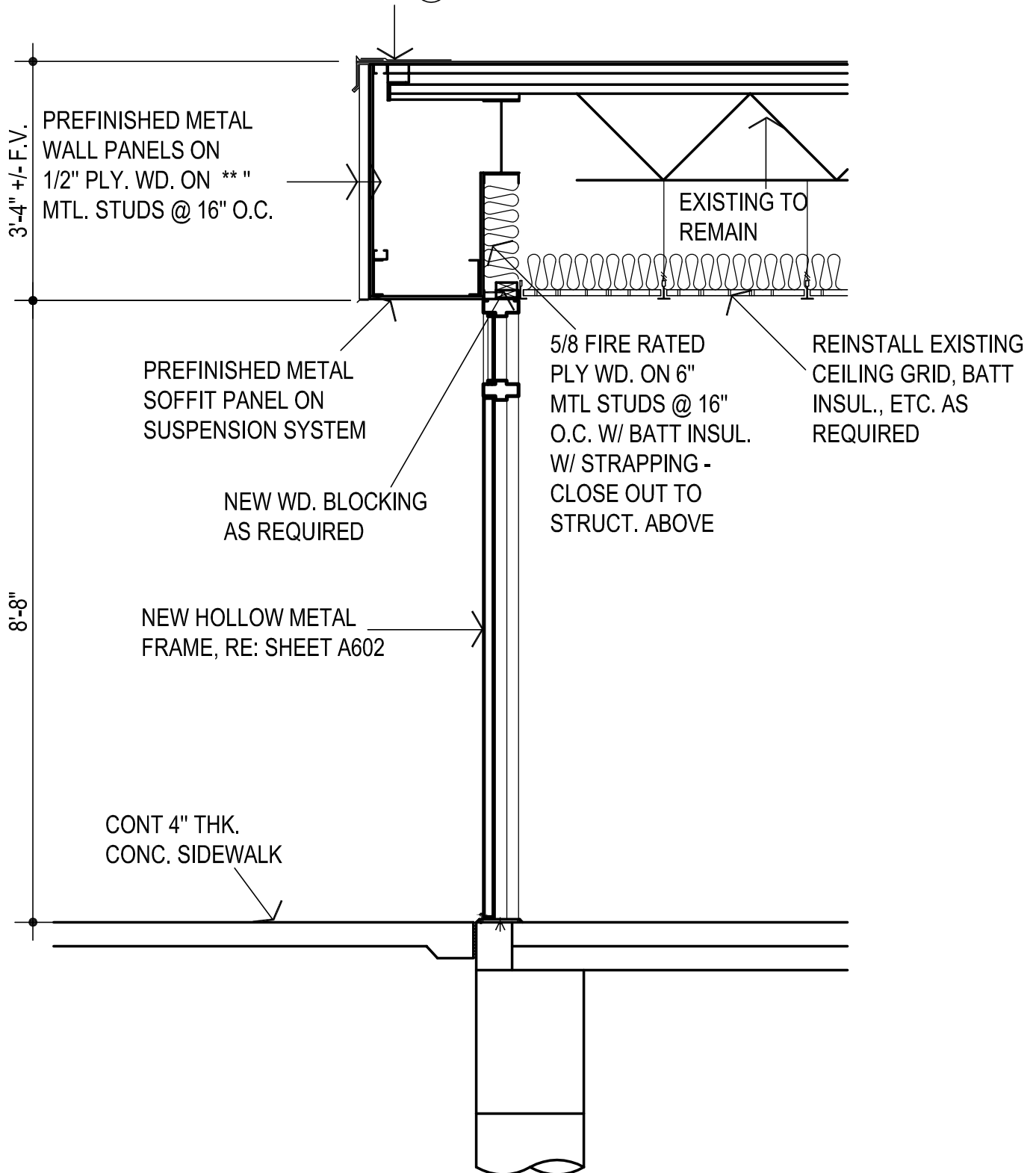


- CG  
drawn by  
MA  
checked by  
JULY 2023  
date  
revisions  
1 RFI #12  
2 CB-6  
3 CB-12



sheet no:

EXISTING TAPERED ROOF SYSTEM  
 TO REMAIN - PROVIDE NEW PREFINISHED EDGE  
 FLASHING W/ CONT. CLEAT AND CONT. MEMBRANE  
 FLASHING - PROVIDE A WATER-TIGHT INSTALLATION -  
 FLASHING COLOR (33)



**CB-12 WALL SECTION @ EXISTING DR #2 SOFFIT**

1/2" = 1'-0"