

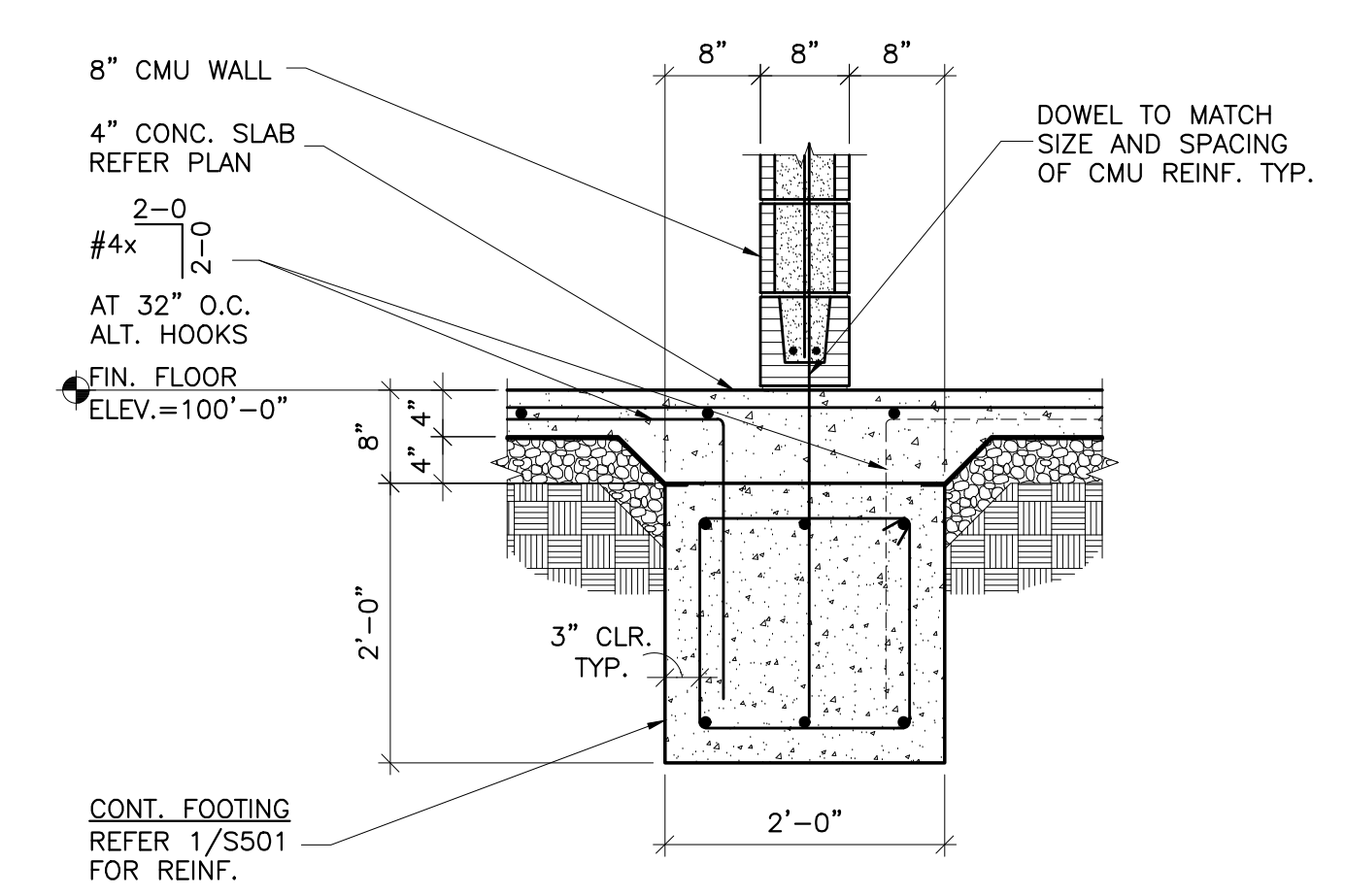
CJC	drawn by
BWB	checked by
SEPTEMBER 2021	date
	revisions



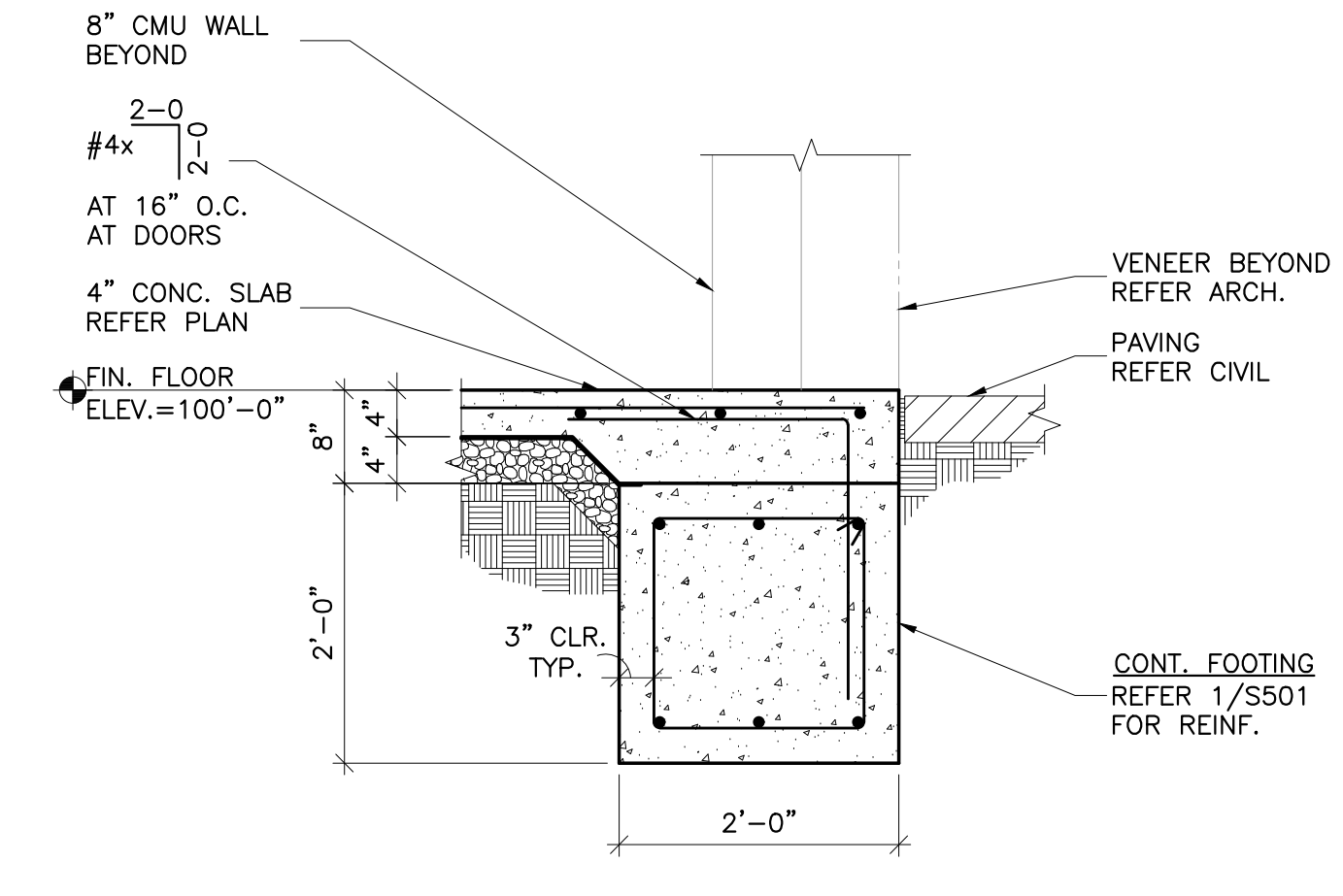
sheet no:

S501

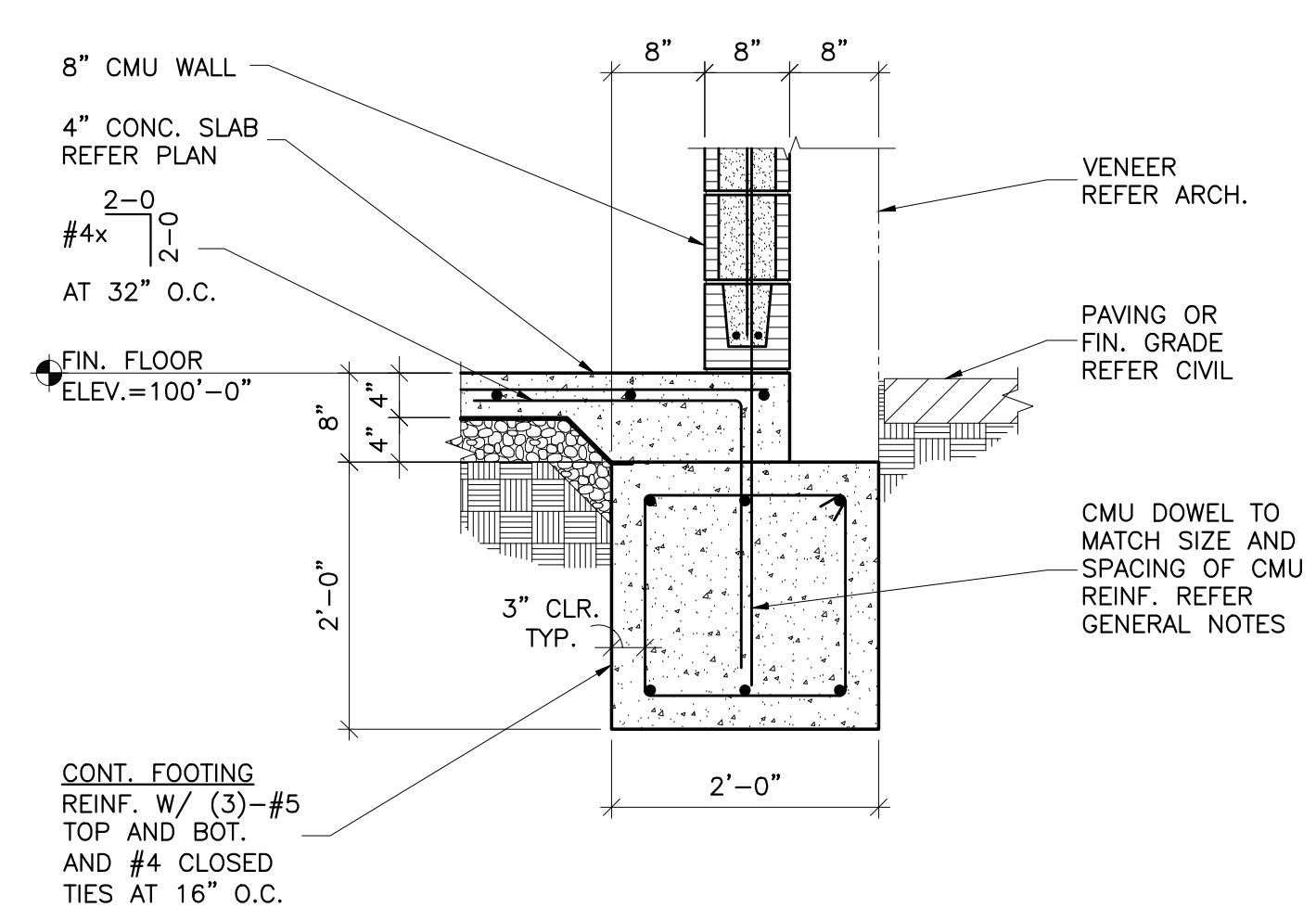
OWNERSHIP USE OF DOCUMENTS:
AGP EXPRESSLY RESERVES ITS
COPYRIGHT AND OTHER PROPERTY
RIGHTS OF ALL PLANS AND DRAWINGS
DESIGNED AND/OR PRODUCED. PLANS
AND DRAWINGS ARE NOT TO BE
REPRODUCED IN ANY FORM OR MANNER
WITHOUT THE EXPRESSED WRITTEN
CONSENT OF AGP.



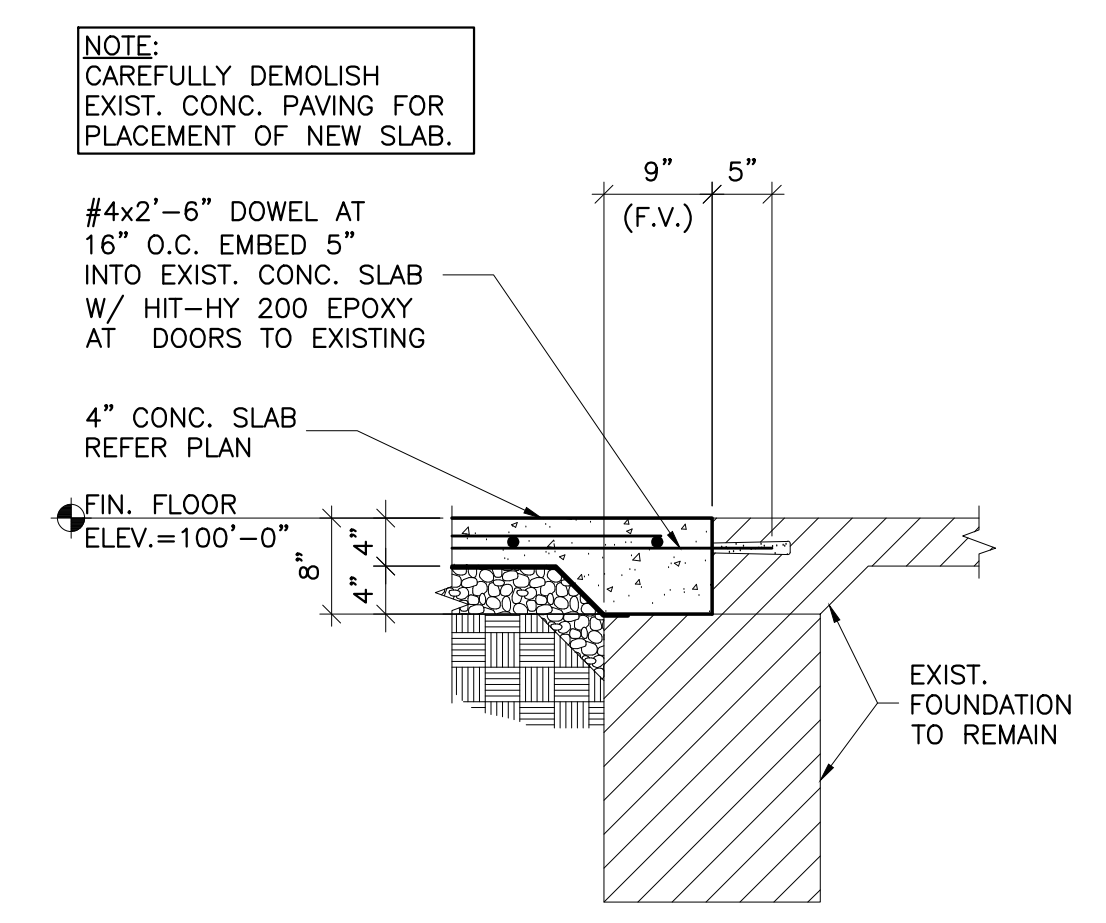
3 SECTION
S501 SCALE: 3/4"=1'-0"



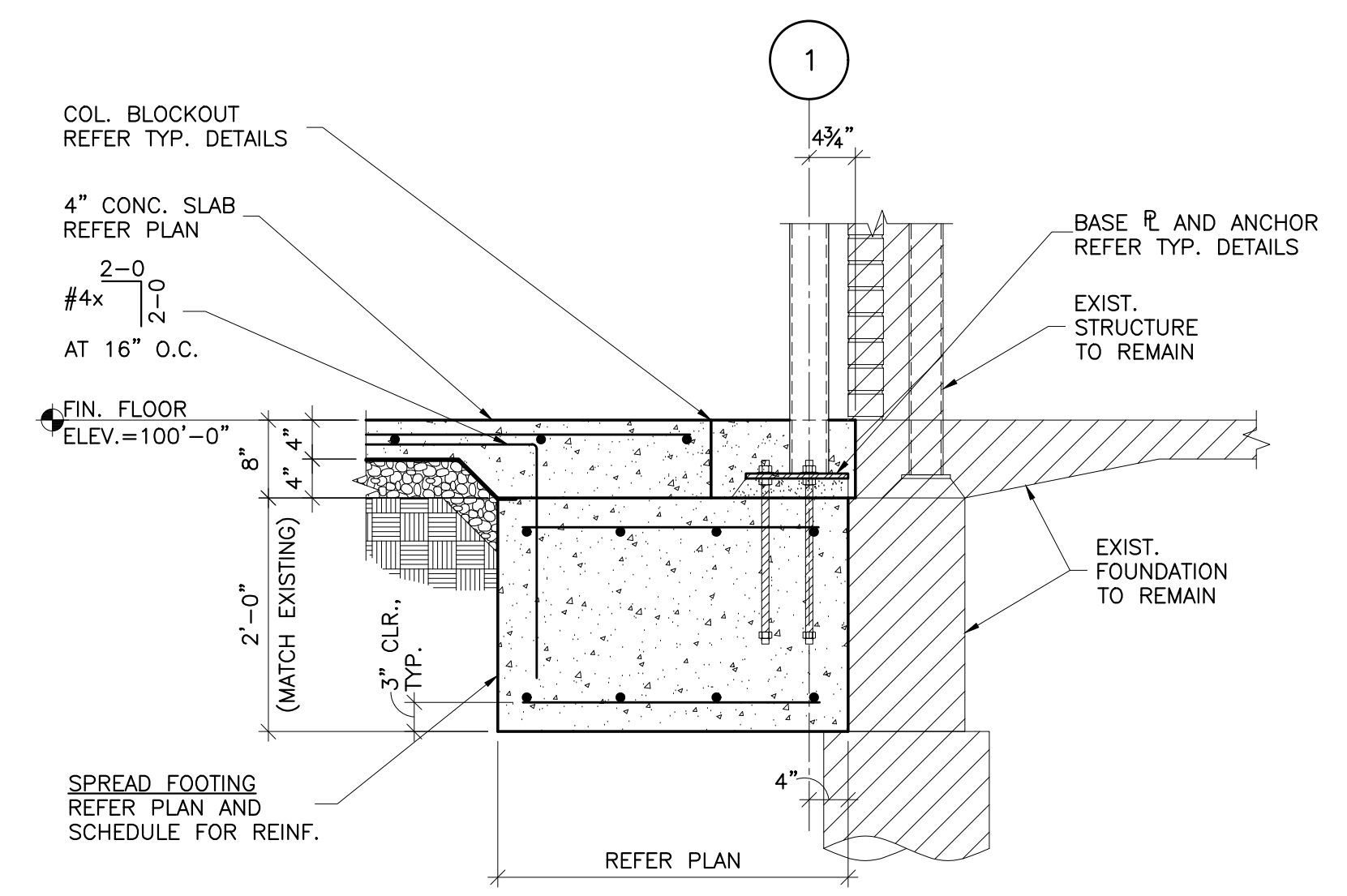
2 SECTION
S501 SCALE: 3/4"=1'-0"



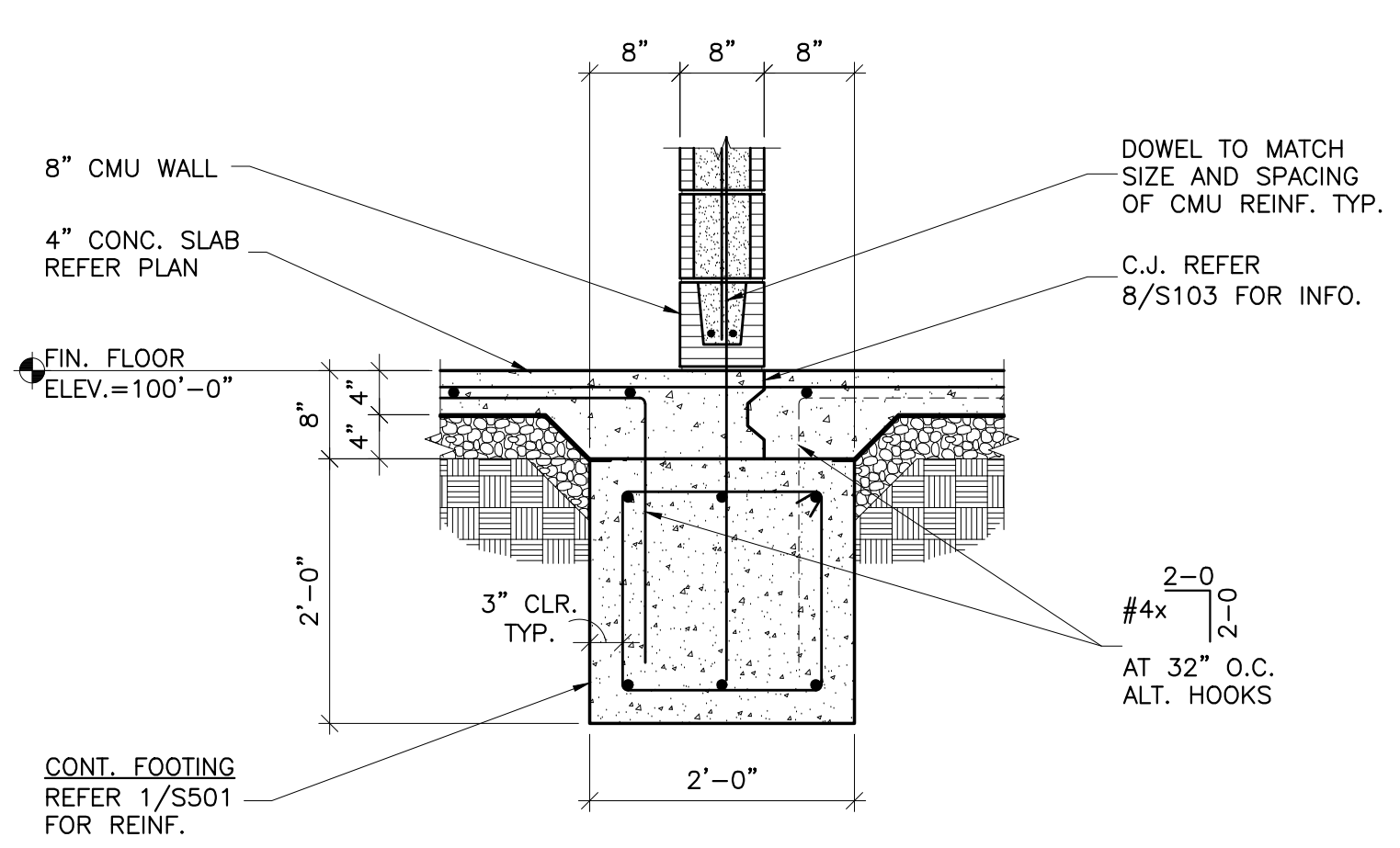
1 SECTION
S501 SCALE: 3/4"=1'-0"



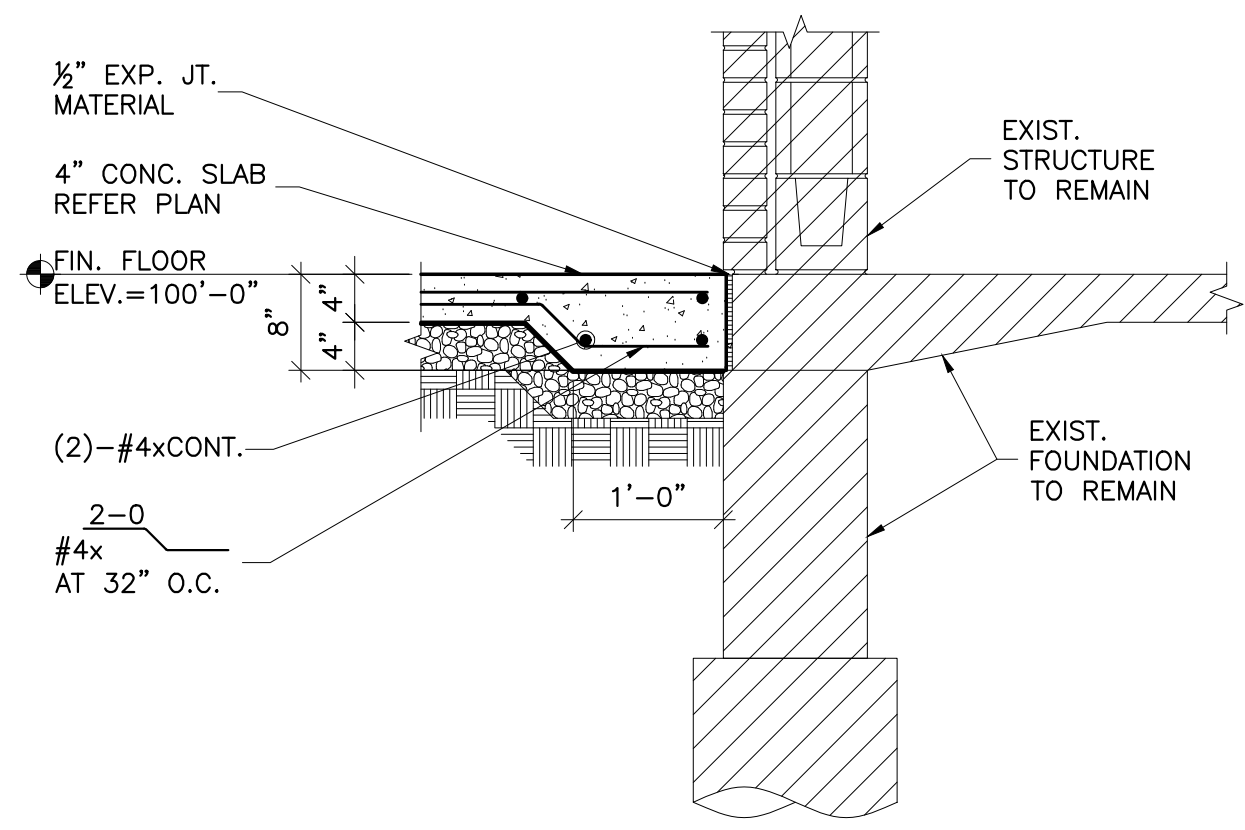
6 SECTION
S501 SCALE: 3/4"=1'-0"



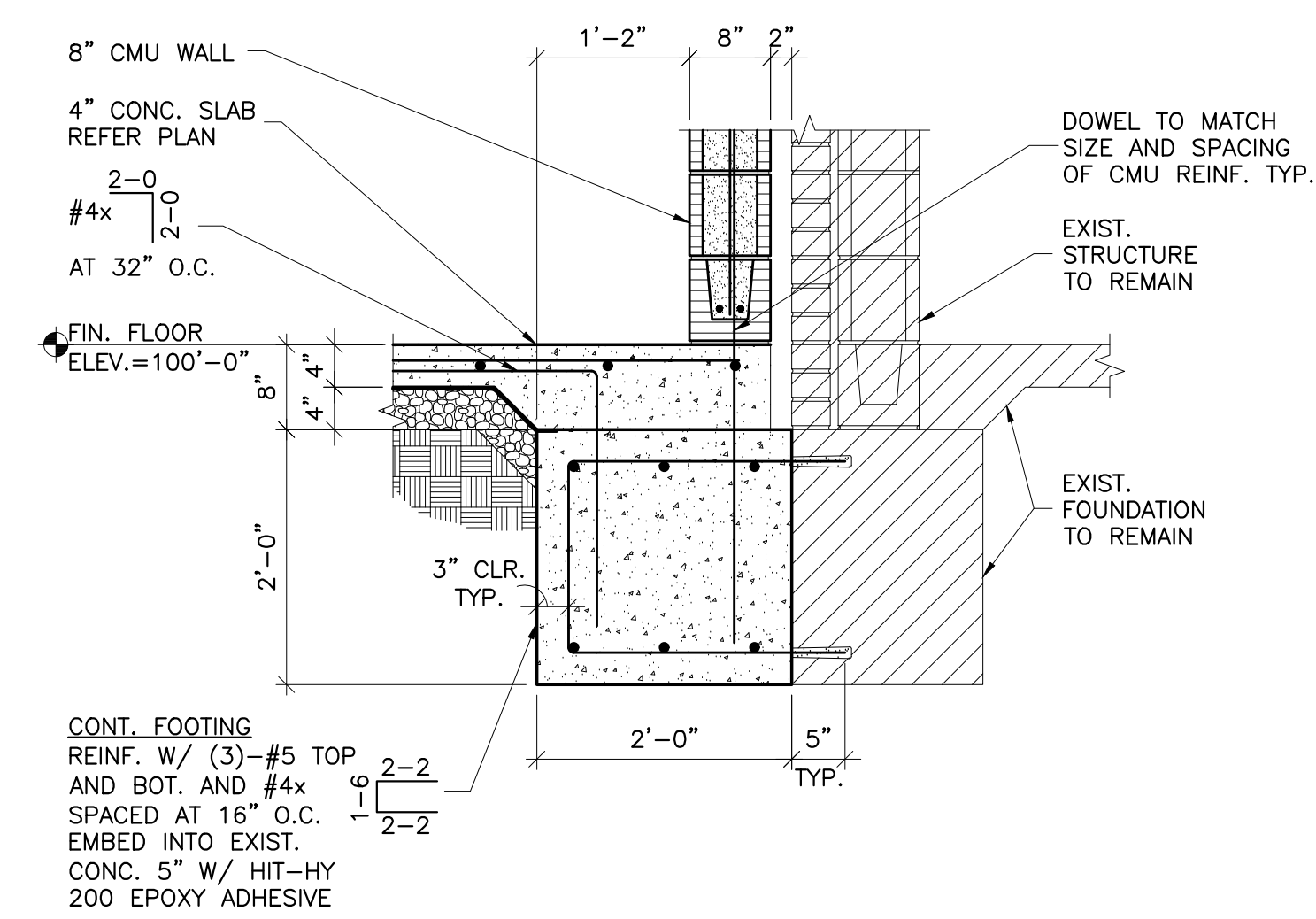
5 SECTION
S501 SCALE: 3/4"=1'-0"



4 SECTION
S501 SCALE: 3/4"=1'-0"



8 SECTION
S501 SCALE: 3/4"=1'-0"



7 SECTION
S501 SCALE: 3/4"=1'-0"