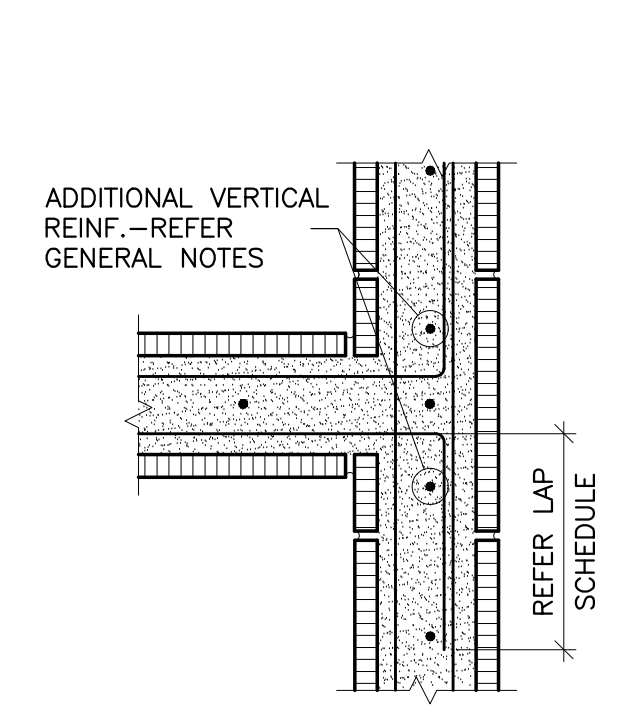
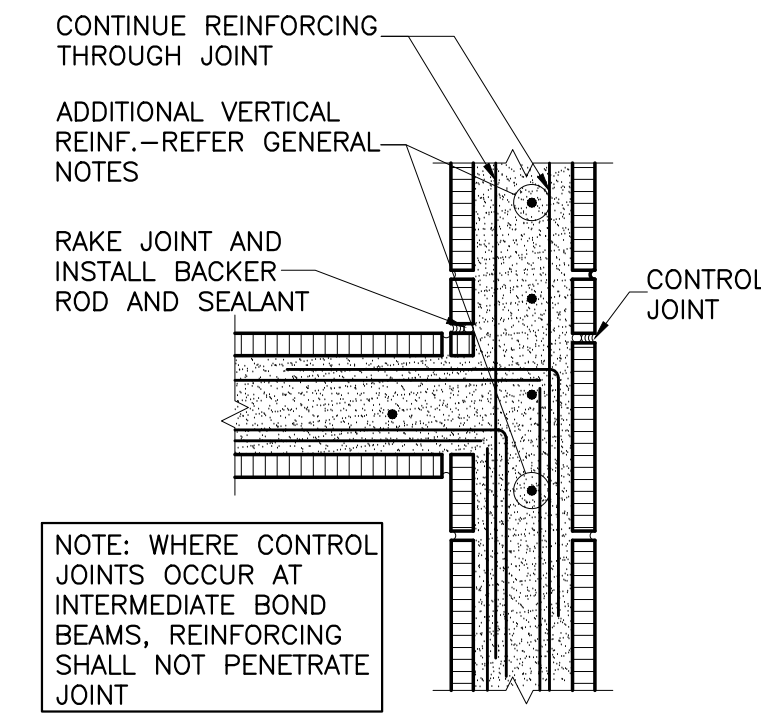


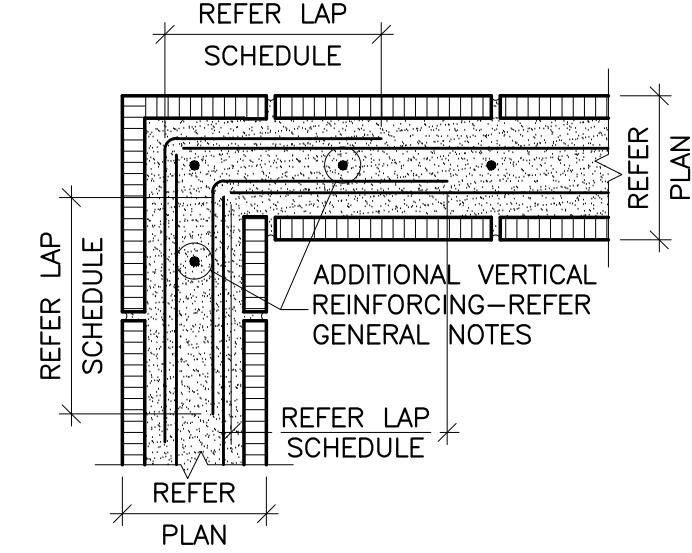
1 THICKENED SLAB AT CMU
SCALE: NONE



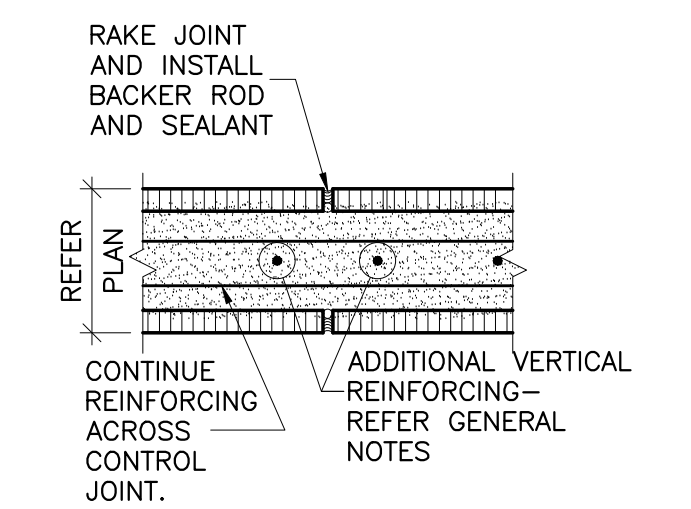
2 DETAIL AT BOND BEAM CORNER W/ NO CONTROL JT
SCALE: NONE



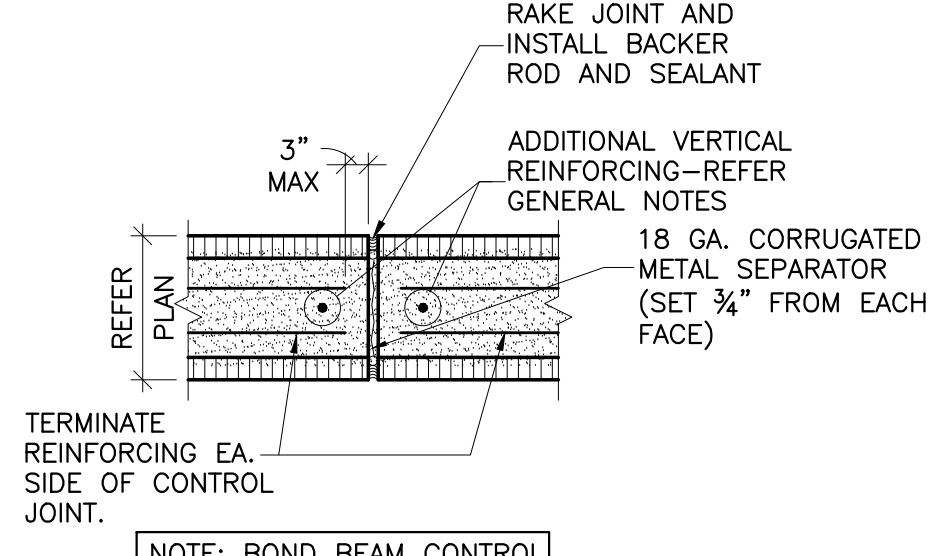
3 DETAIL AT FLOOR/ROOF BOND BEAM CORNER W/ CONTROL JT
SCALE: NONE



4 CORNER BOND BEAM WITH NO CONTROL JT
SCALE: NONE



5 CONTROL JT AT FLOOR/ROOF BOND BEAM
SCALE: NONE

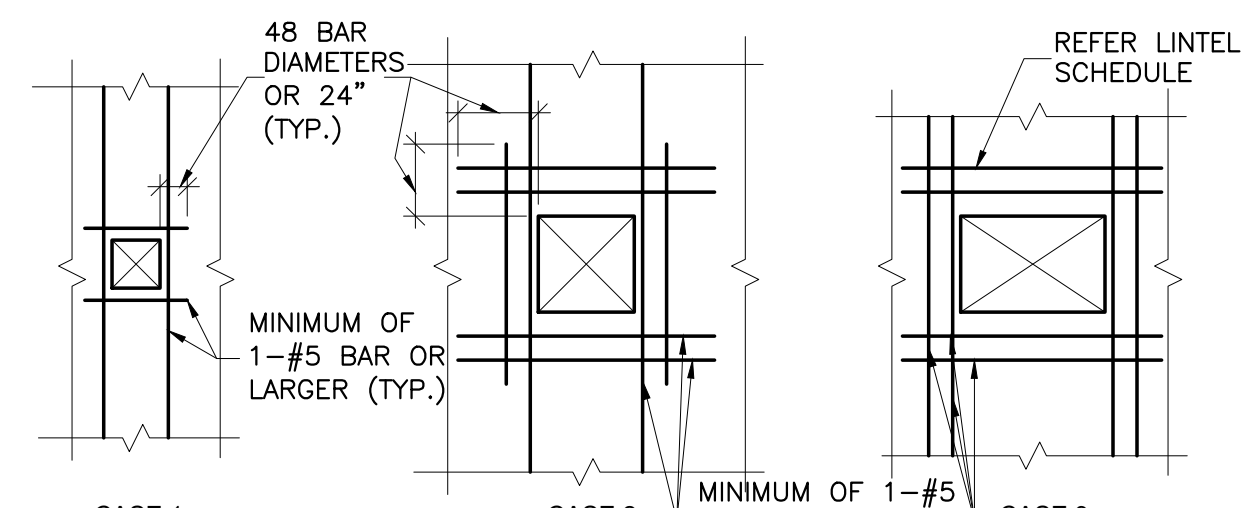


6 CONTROL JT AT INTERMEDIATE BOND BEAM
SCALE: NONE

BAR SIZE	LENGTH (in.)			EDGE (2 IN CLEAR COVER)
	6" CMU	8" CMU	12" CMU	
3	1'-0"	1'-0"	1'-0"	1'-6"
4	1'-6"	1'-6"	1'-0"	2'-0"
5	2'-6"	2'-0"	1'-6"	3'-0"
6	**	3'-6"	2'-0"	**
7	**	**	3'-0"	**
8	**	**	**	**

7 CMU REINFORCING LAP SCHEDULE
SCALE: NONE

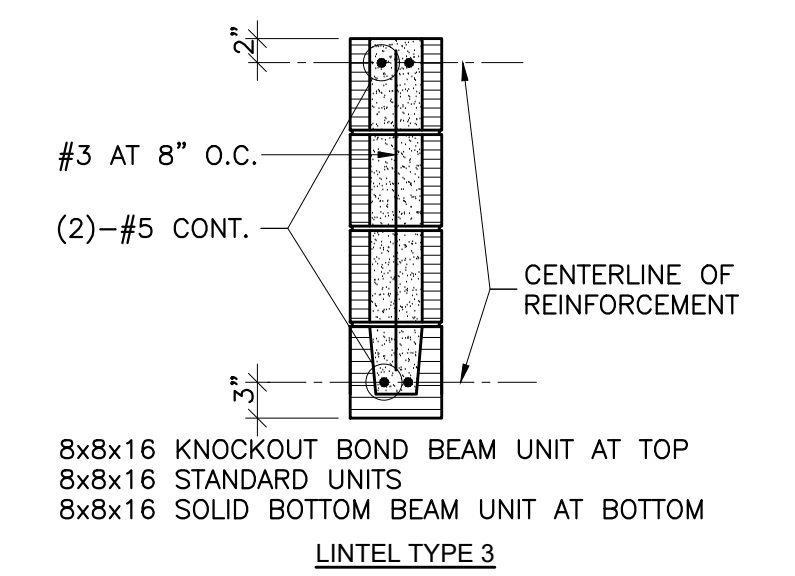
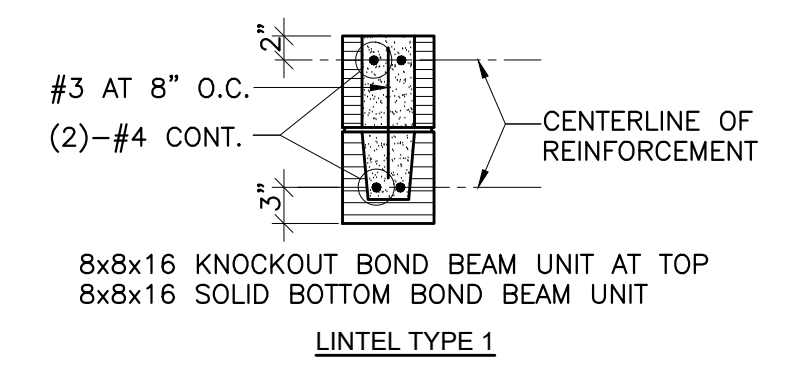
NOTES:
1. $f_m = 2000$ psi
2. $f_y = 60,000$ psi
*SCHEDULE ALSO APPLIES TO EMBEDMENT LENGTHS
**MECHANICAL SPLICES SHALL BE USED



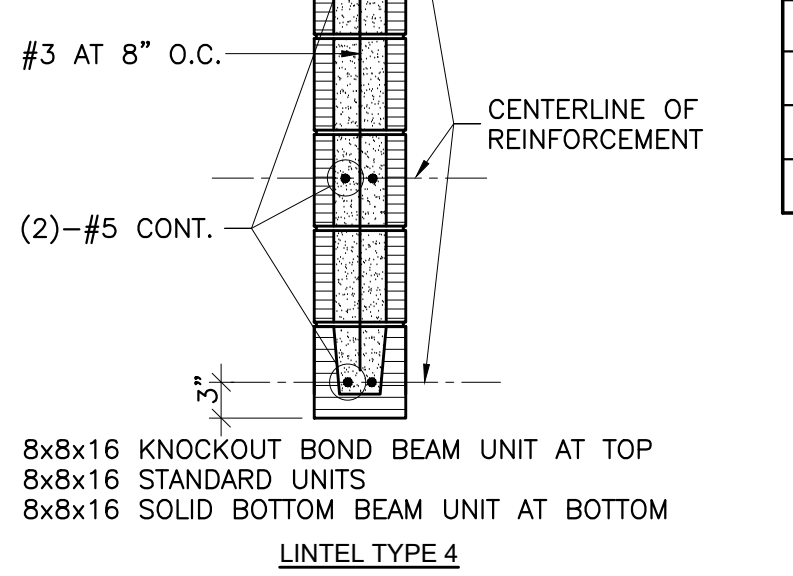
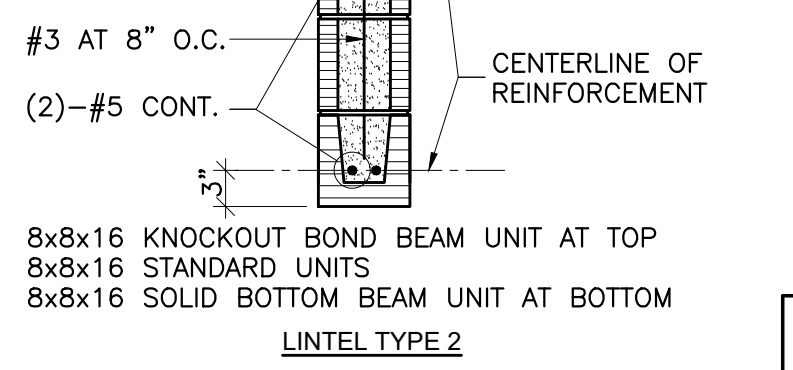
8 REINFORCING AROUND CMU WALL OPENING
SCALE: NONE

CASE 1 APPLIES TO: ALL OPENINGS 2 FEET OR LESS BOTH WAYS.
CASE 2 APPLIES TO: ALL OPENINGS EXCEEDING 2 FEET BUT NOT MORE THAN 4 FEET BOTH WAYS, WHERE NO LINTEL IS INDICATED
CASE 3 APPLIES TO: ALL OPENINGS EXCEEDING 4 FEET AND WIDER

NOTE: 1.) WHERE VERTICAL REINFORCING CONSISTS OF 2 BARS OR MORE EACH BAR SHALL BE PLACED IN A SEPARATE CELL
2.) WHERE OPENING IS SUPPORTED BY A PERPENDICULAR WALL AND ONLY 8" OF WALL EXTENDS BEYOND THE OPENING, HOOK LINTEL AND SILL REINFORCING 90°

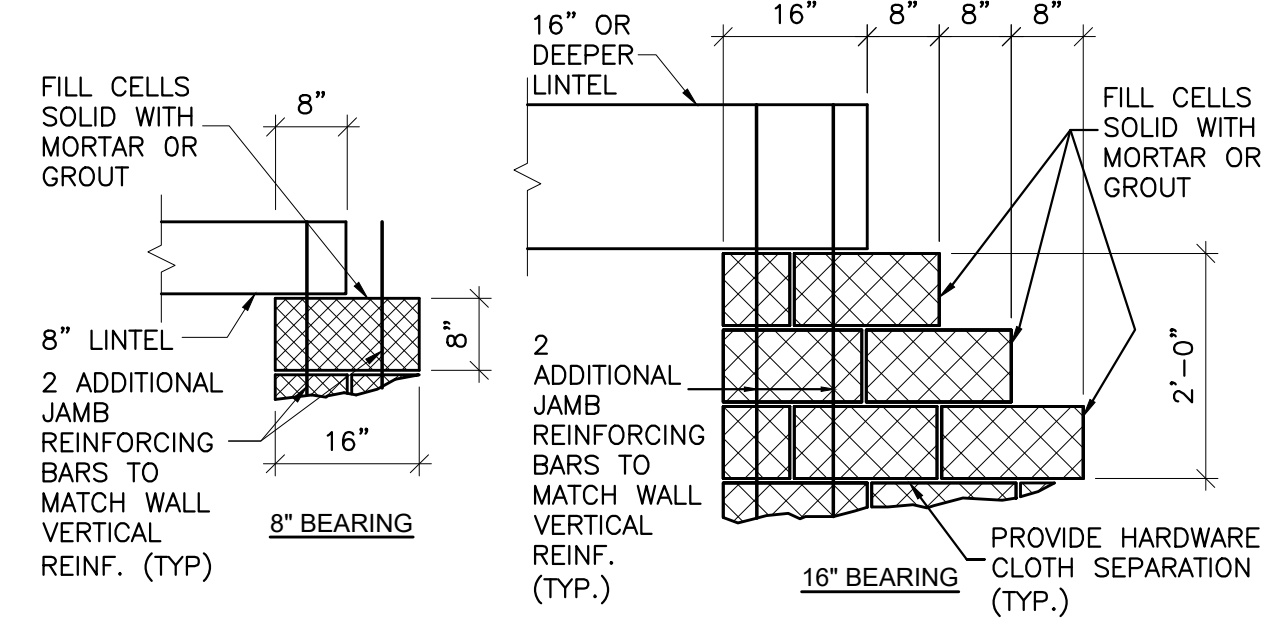


9 TYP. LINTEL TYPES
SCALE: NONE

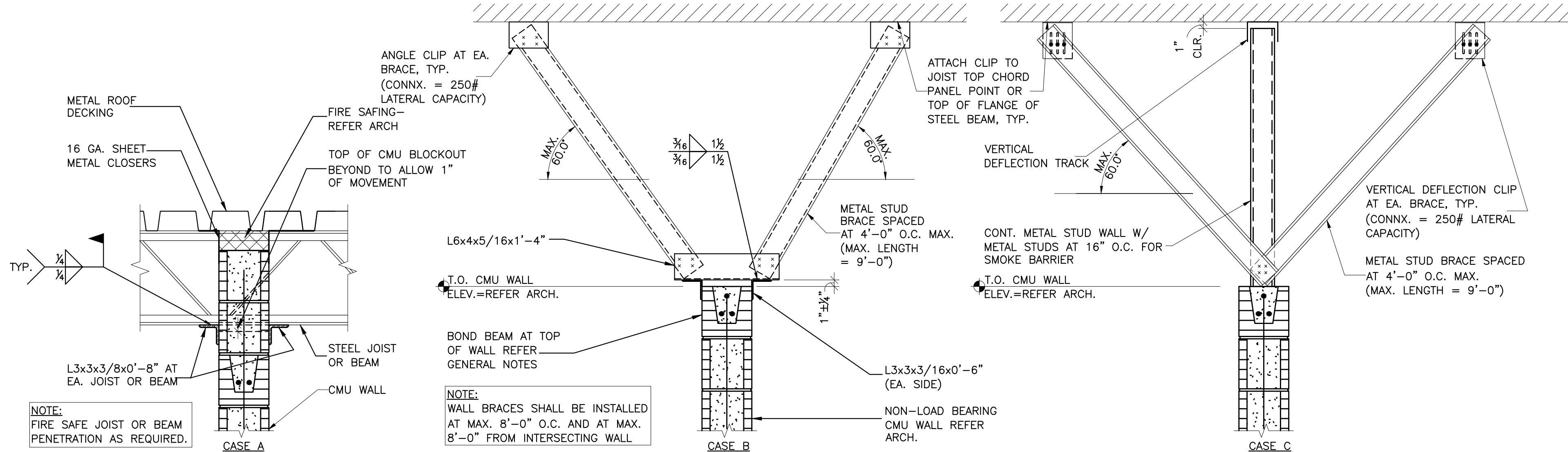


TYPE	SPAN IN FEET
1	UP TO 4'-0"
2	4'-1" TO 6'-8"
3	6'-9" TO 9'-4"
4	9'-5" TO 12'-0"

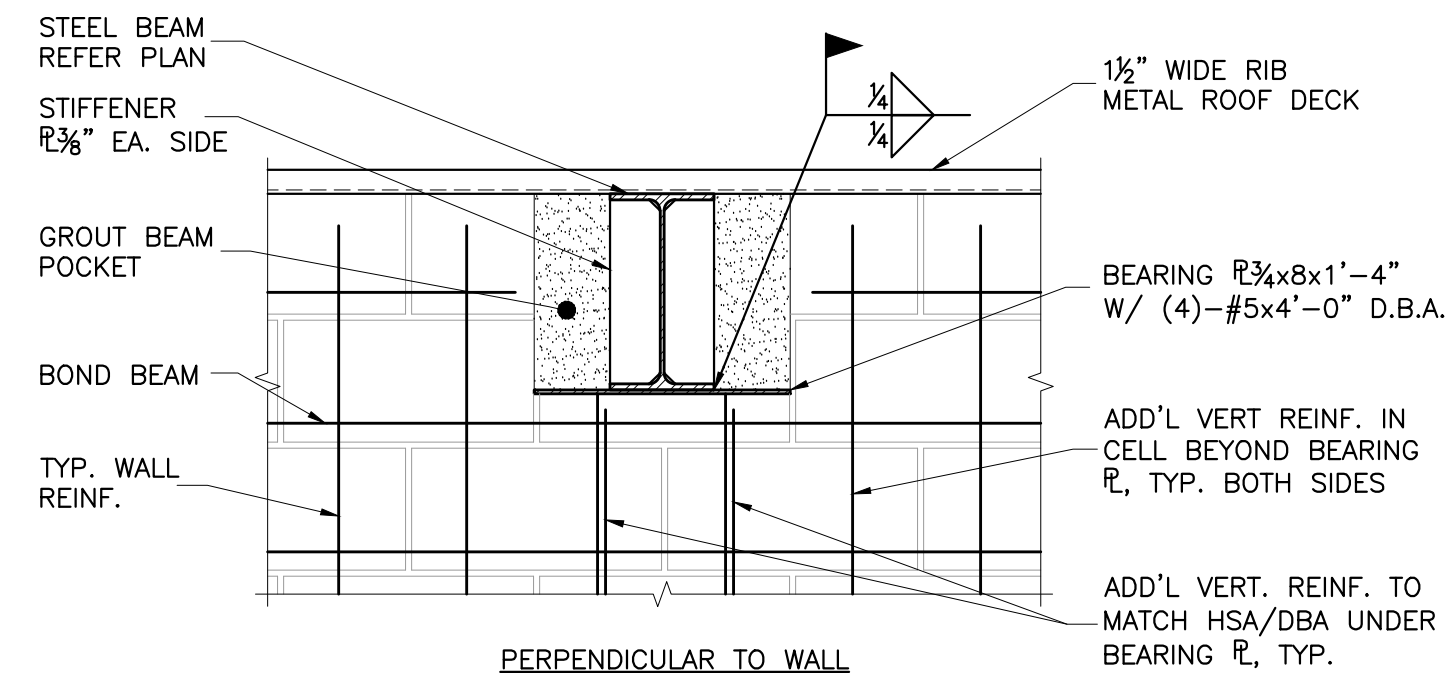
NOTE: REFER # ON PLANS FOR LINTEL TYPES.



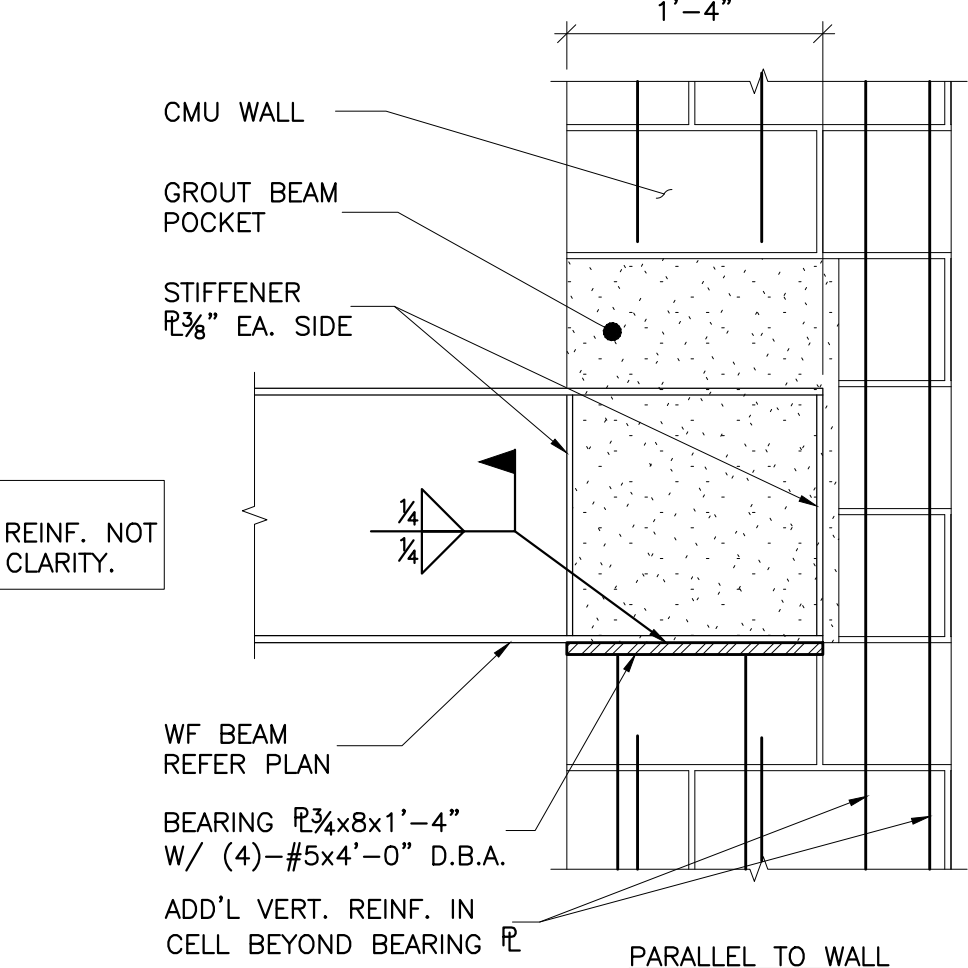
10 BEARING DETAILS TYP. LINTEL TYPES
SCALE: NONE



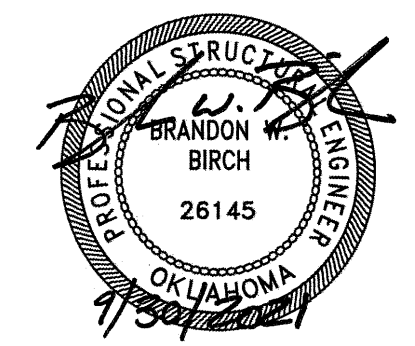
11 TYP. BRACING AT TOP OF NON-LOAD BEARING CMU
SCALE: NONE



NOTE: HORIZ. CMU REINF. NOT SHOWN FOR CLARITY.



12 TYPICAL BEAM BEARING PLATE DETAILS
SCALE: NONE



CJC	drawn by
BWB	checked by
SEPTEMBER 2021	date
	revisions



sheet no: