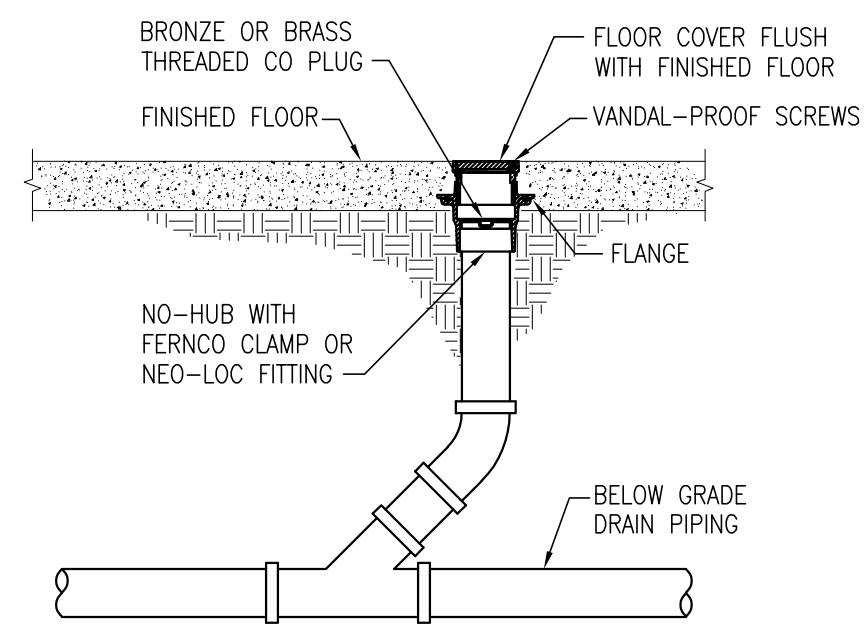
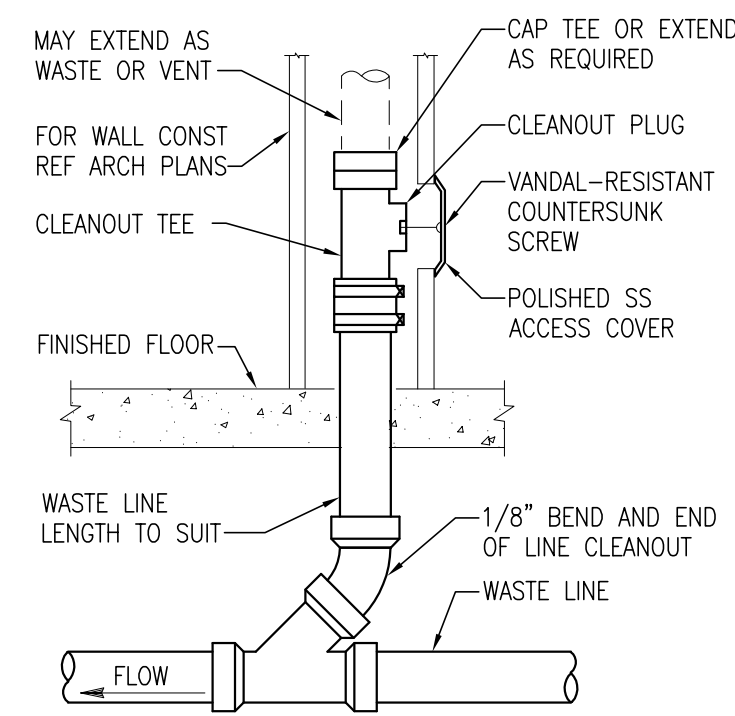


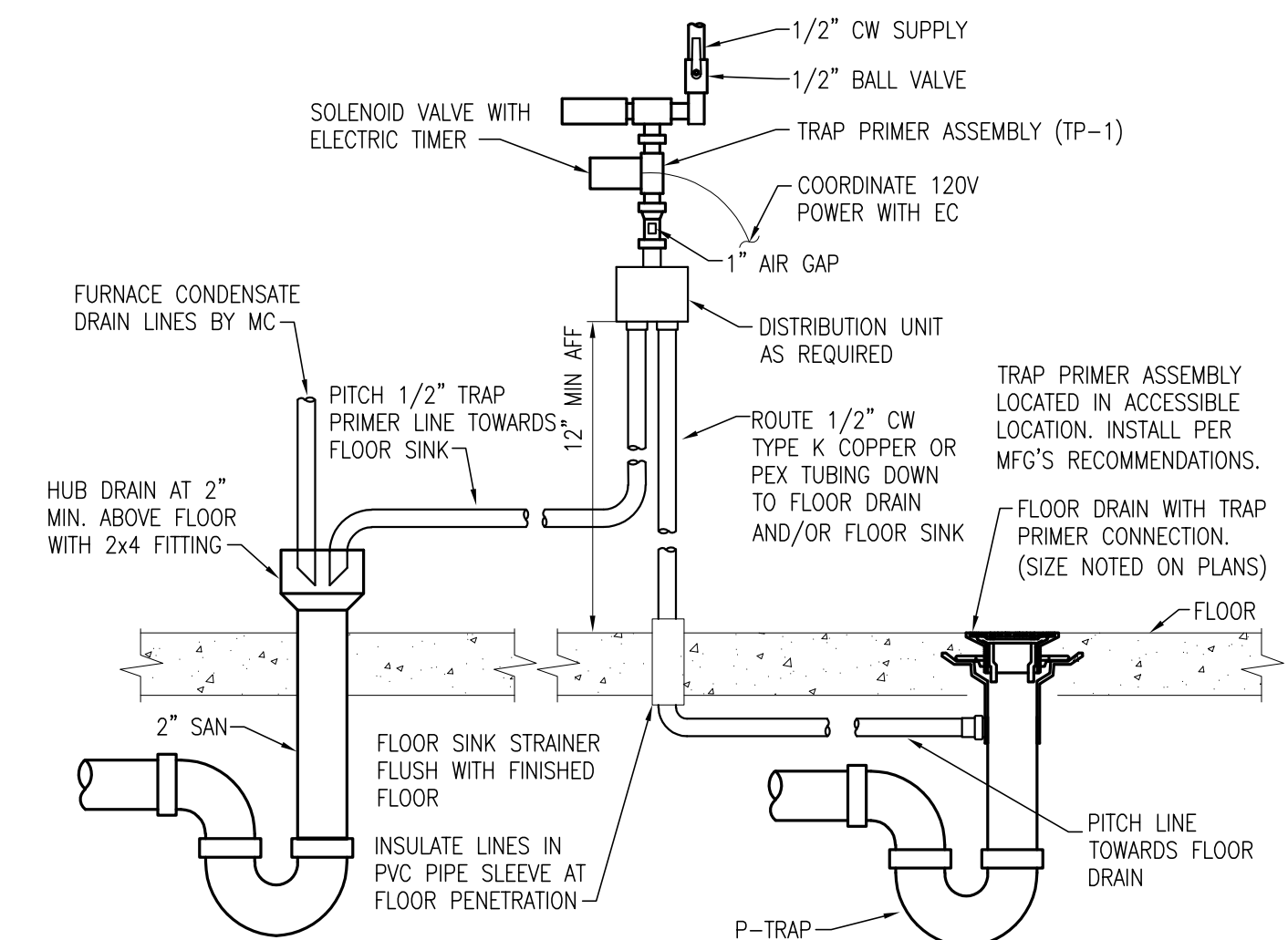
**4 BACKWATER VALVE & EXTERIOR CLEANOUT DETAIL**  
NOT TO SCALE



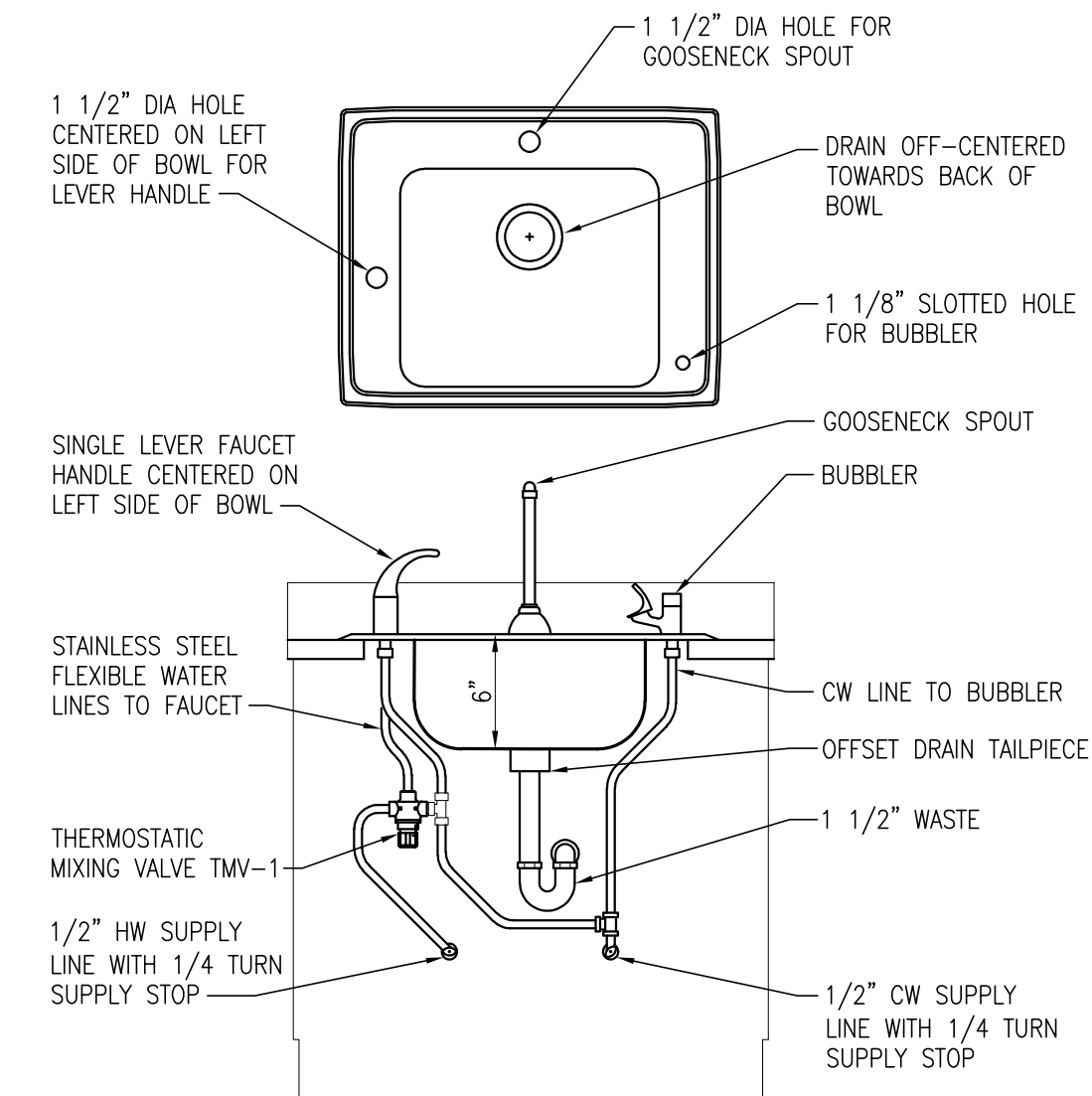
**3 INTERIOR CLEANOUT DETAIL**  
NOT TO SCALE



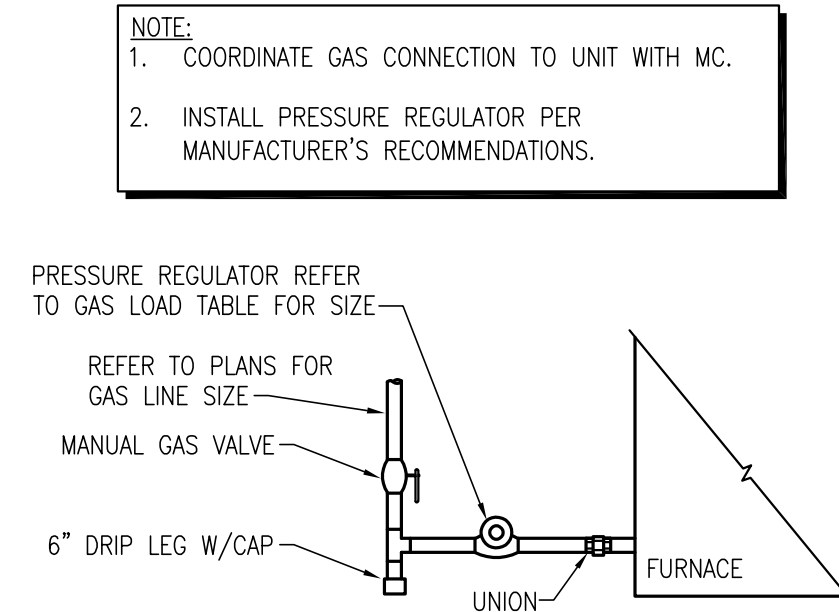
**2 WALL CLEANOUT DETAIL**  
NOT TO SCALE



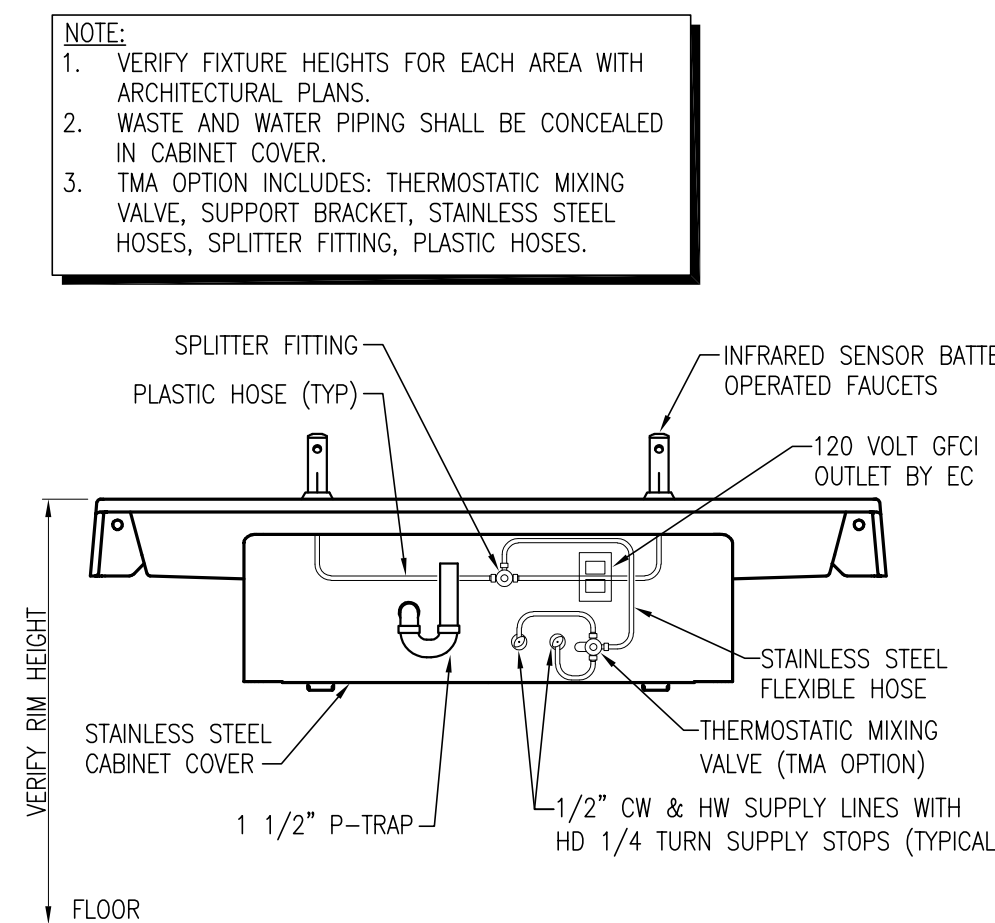
**1 TRAP PRIMER MANIFOLD DETAIL**  
NOT TO SCALE



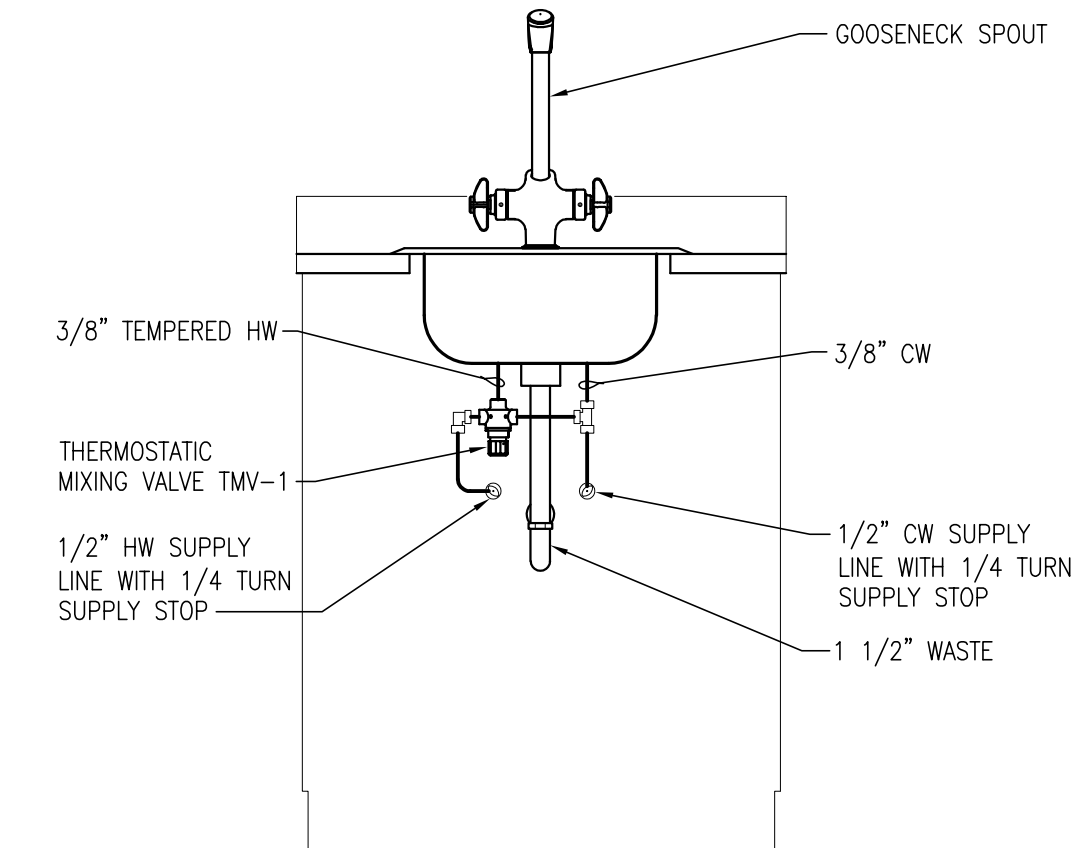
**8 CLASSROOM SINK DETAIL**  
NOT TO SCALE



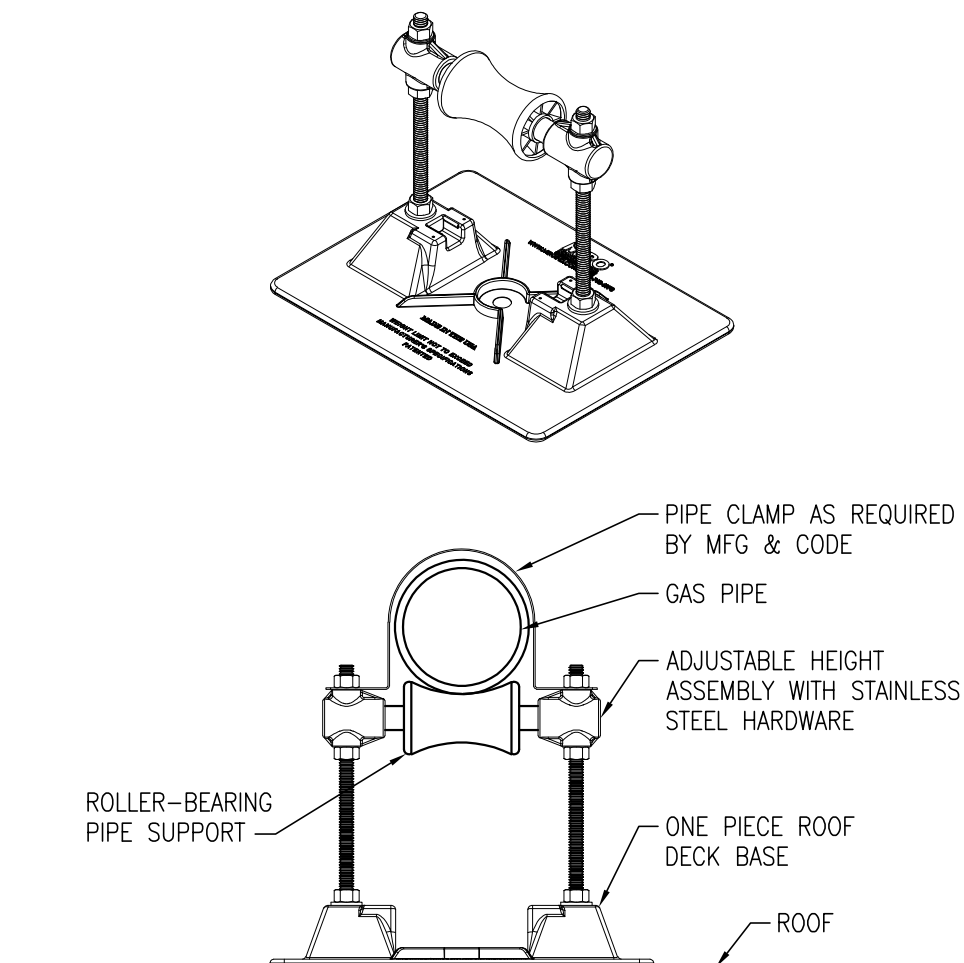
**7 FURNACE GAS CONNECTION DETAIL**  
NOT TO SCALE



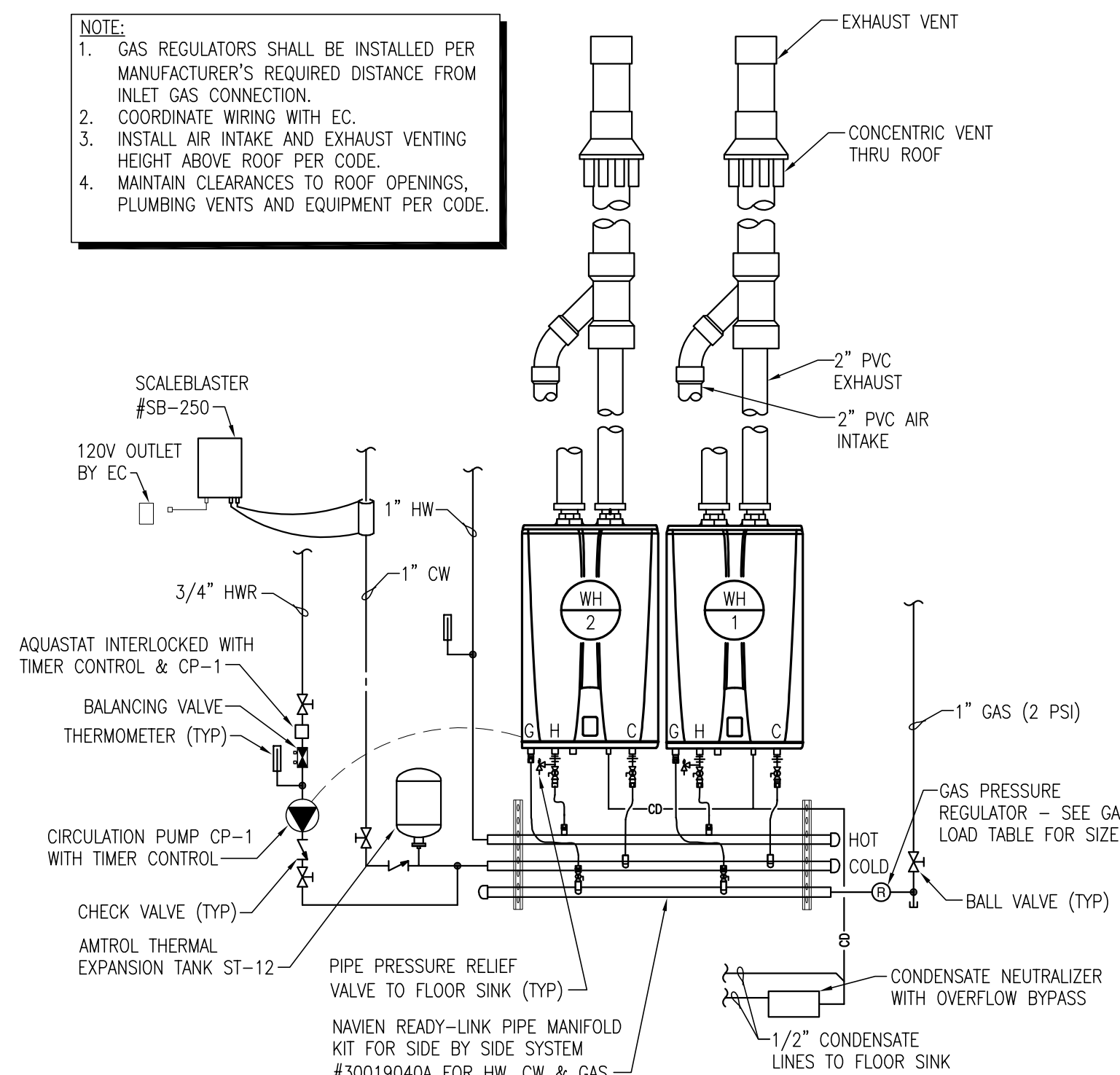
**6 TWO STATION LAVATORY DETAIL**  
NOT TO SCALE



**5 LAB PREP SINK DETAIL**  
NOT TO SCALE



**10 ROOF PIPE SUPPORT DETAIL**  
NOT TO SCALE



**9 DUAL TANKLESS GAS WATER HEATERS DETAIL**  
NOT TO SCALE



KPP	drawn by
AL	checked by
SEPTEMBER 2021	date
	revisions



sheet no:

**P501**