



BA  
drawn by  
DMG  
checked by  
SEPTEMBER 2021  
date  
revisions

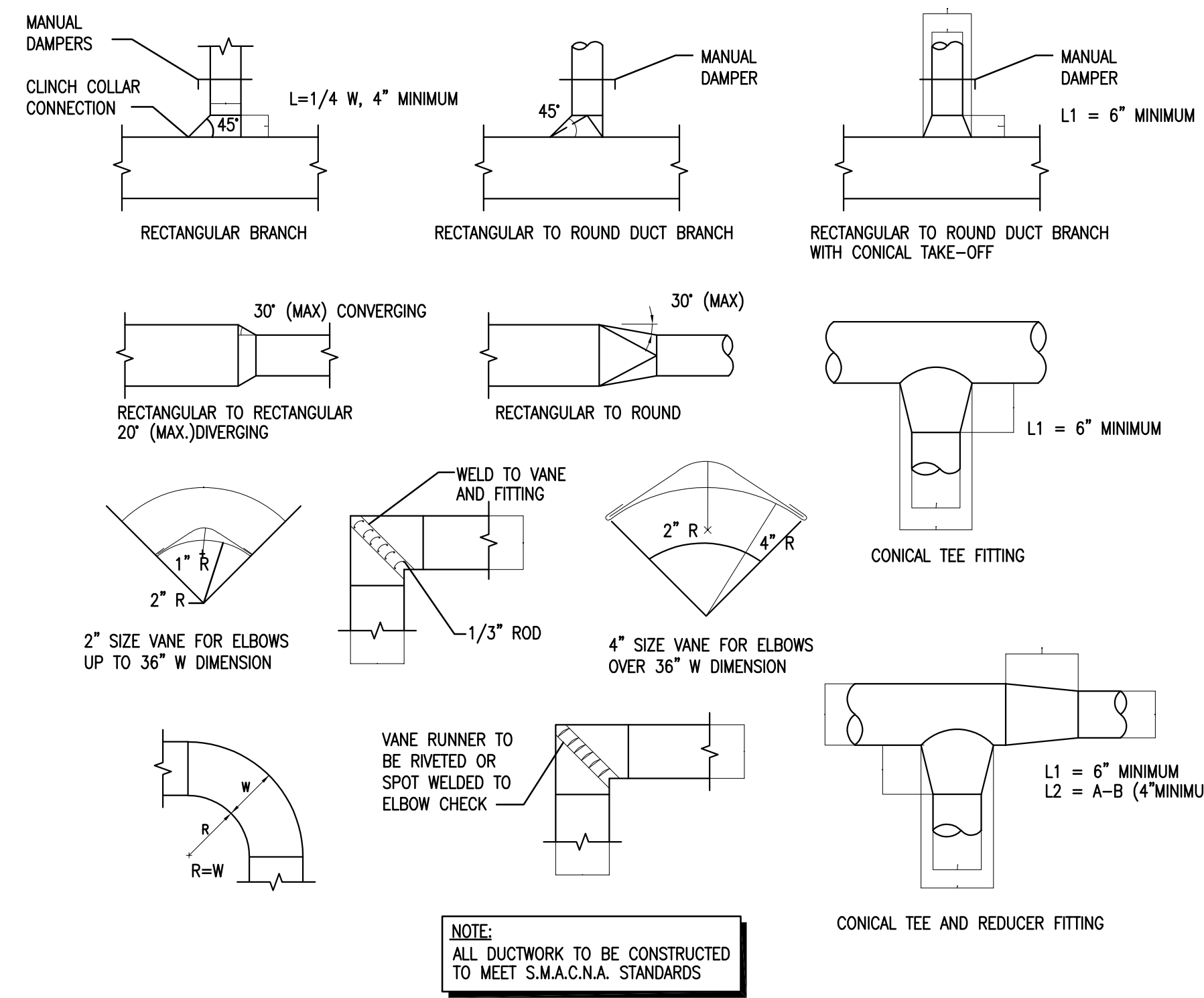
MOORE PUBLIC SCHOOLS  
BOARD OF EDUCATION  
MOORE, OKLAHOMA



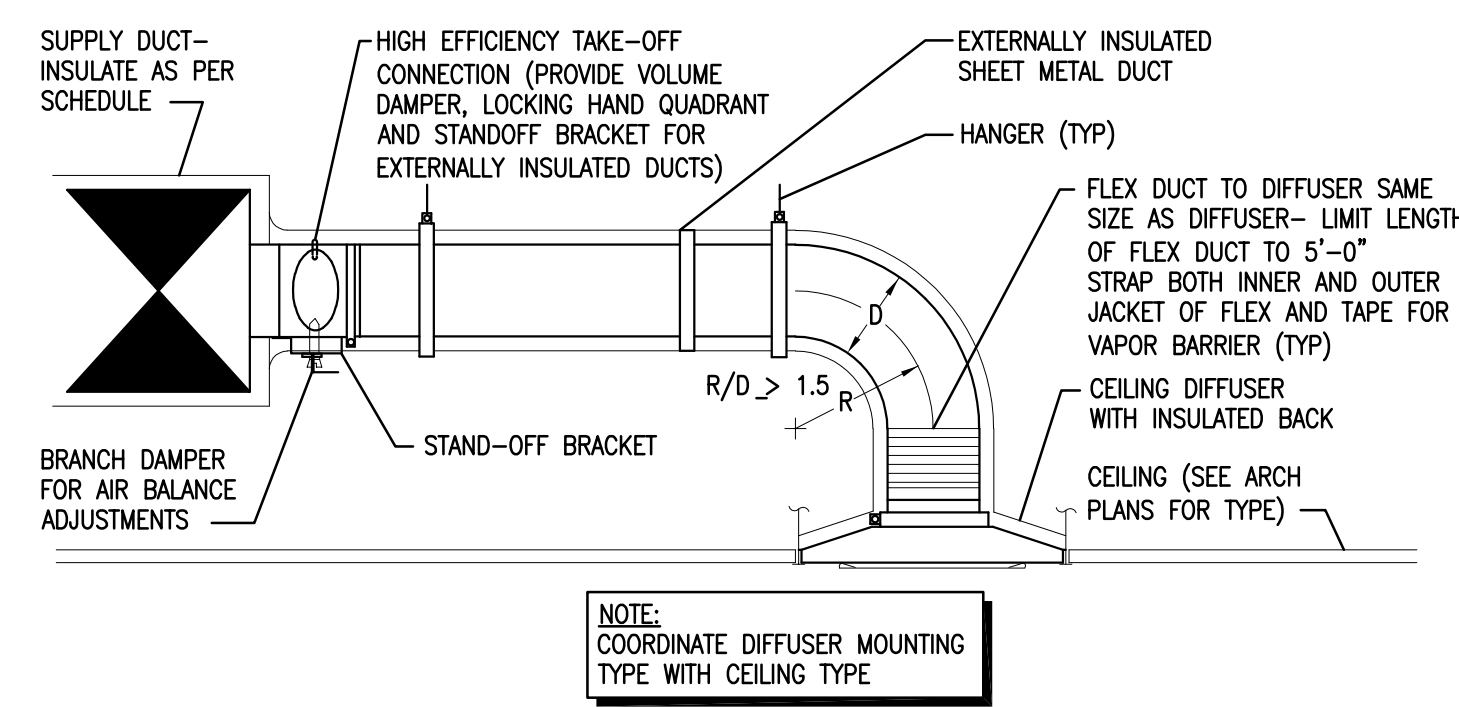
CLASSROOM ADDITION  
HIGHLAND EAST  
JUNIOR HIGH SCHOOL

sheet no:

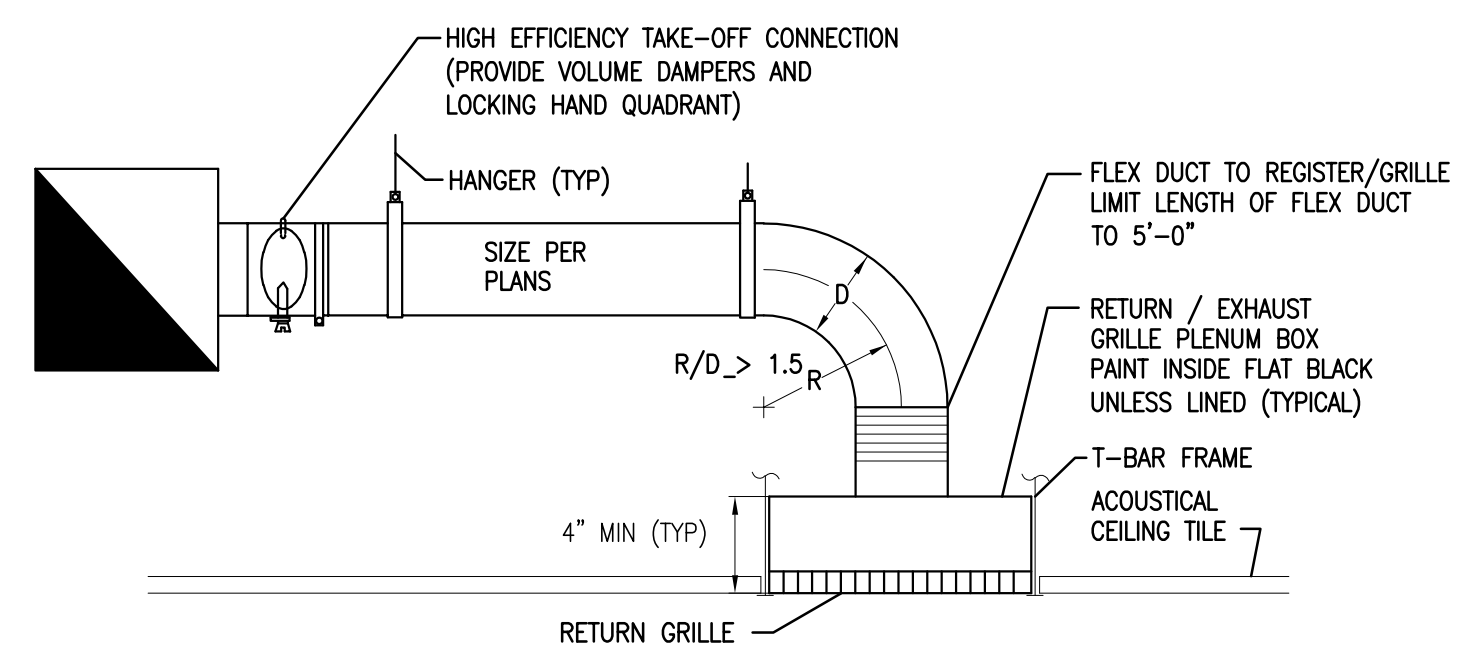
**M501**



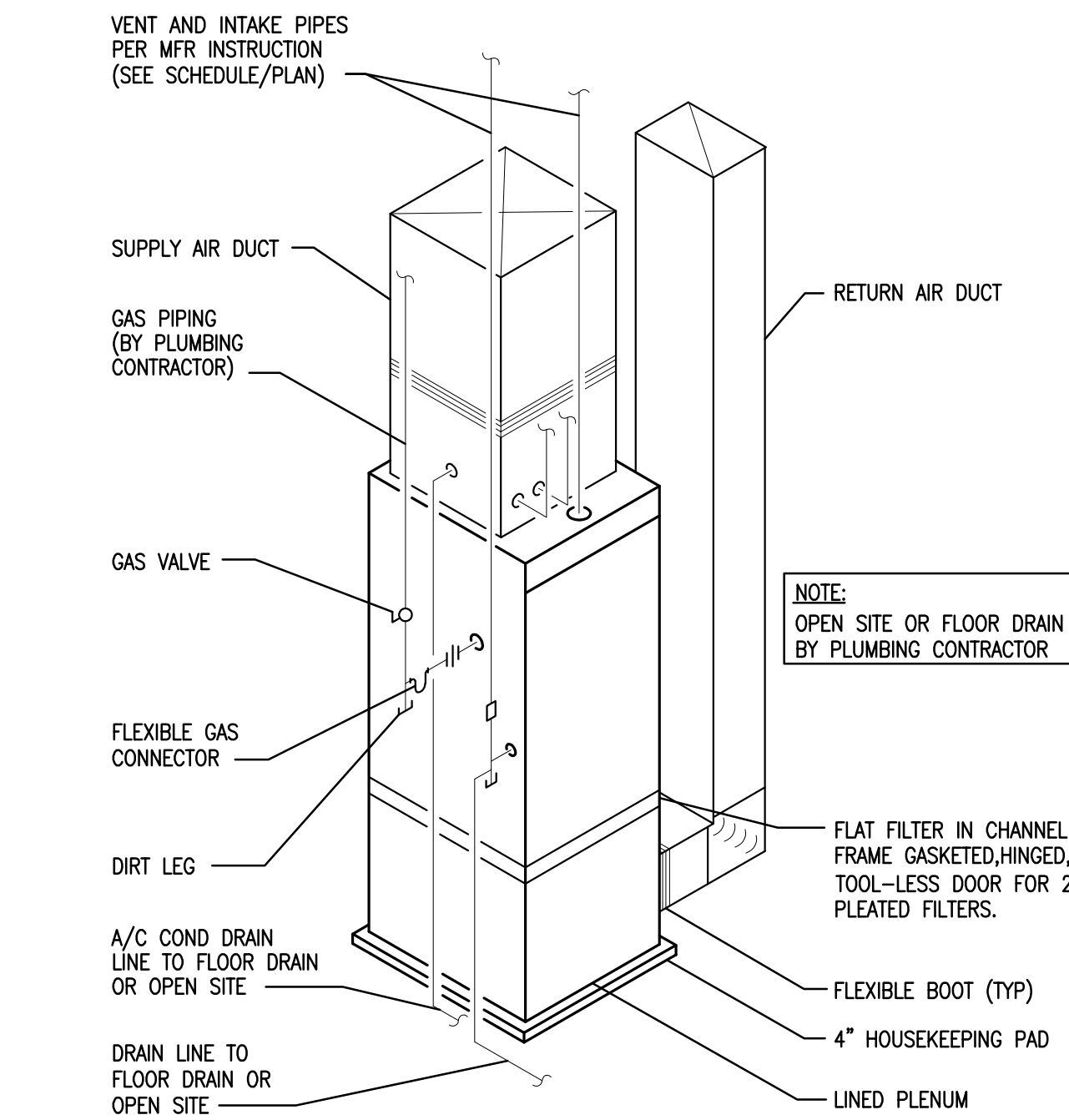
**1 TYPICAL DUCTWORK DETAILS**  
NOT TO SCALE



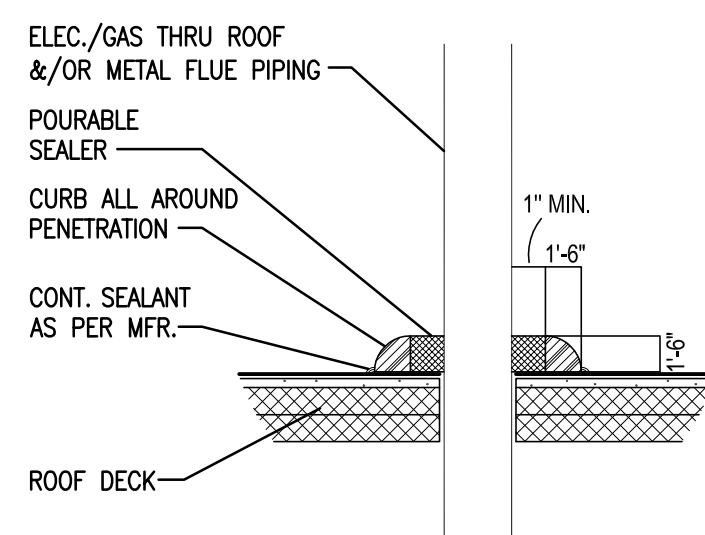
**2 CEILING DIFFUSER DETAIL**  
NOT TO SCALE



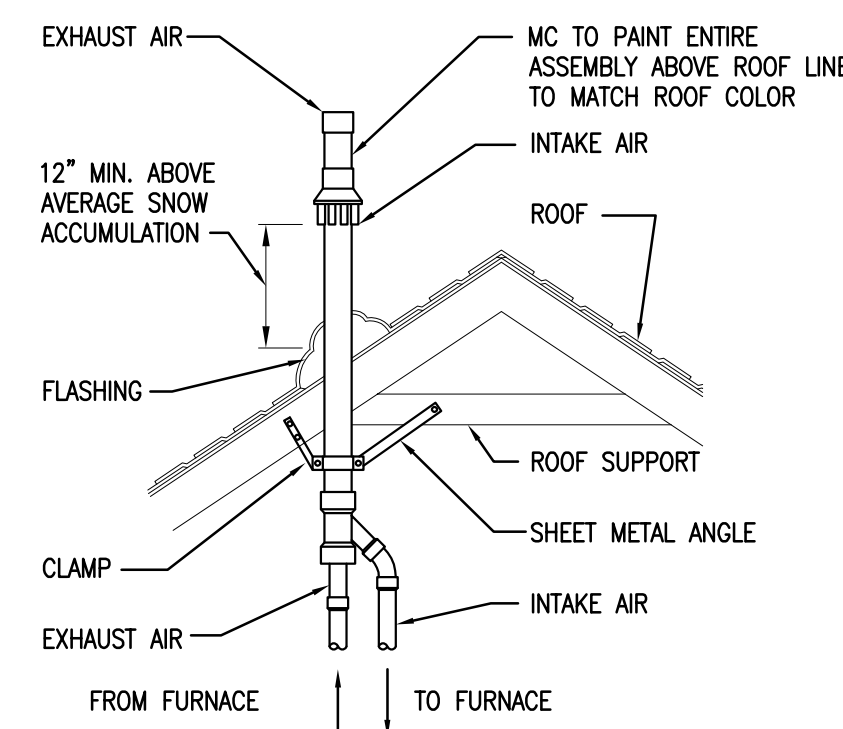
**3 RETURN / EXHAUST AIR GRILLE PLENUM BOX**  
NOT TO SCALE



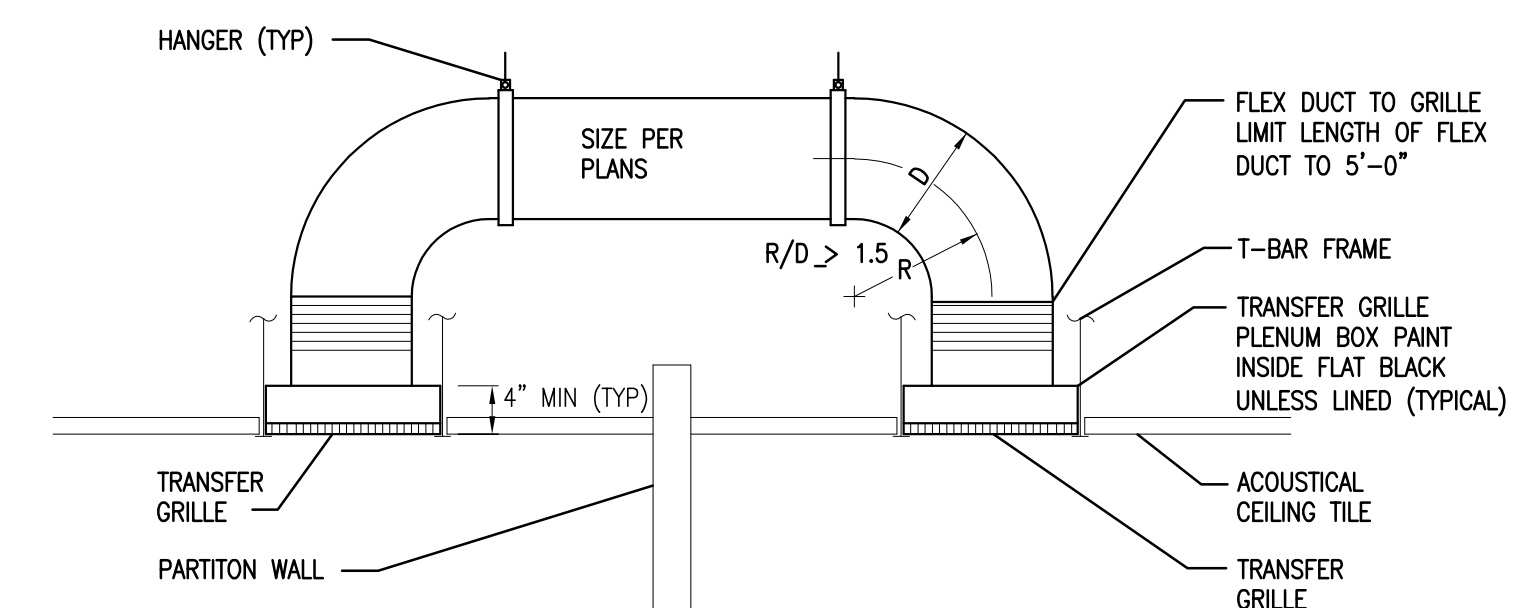
**4 GAS FURNACE DETAIL - NEW CLASSROOMS**  
NOT TO SCALE



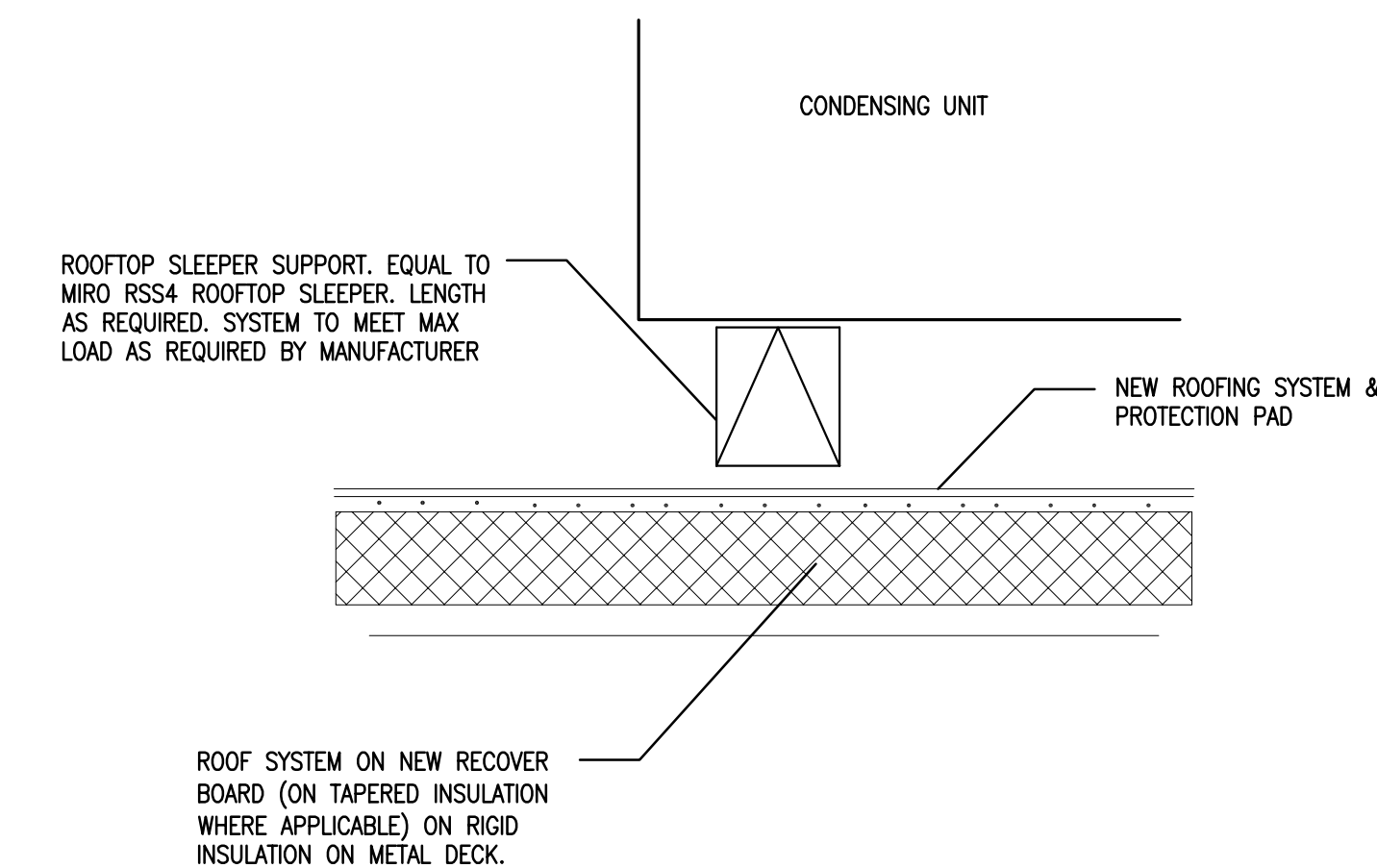
**7 PENETRATION DAM/SEALER POCKET DETAIL**  
NOT TO SCALE



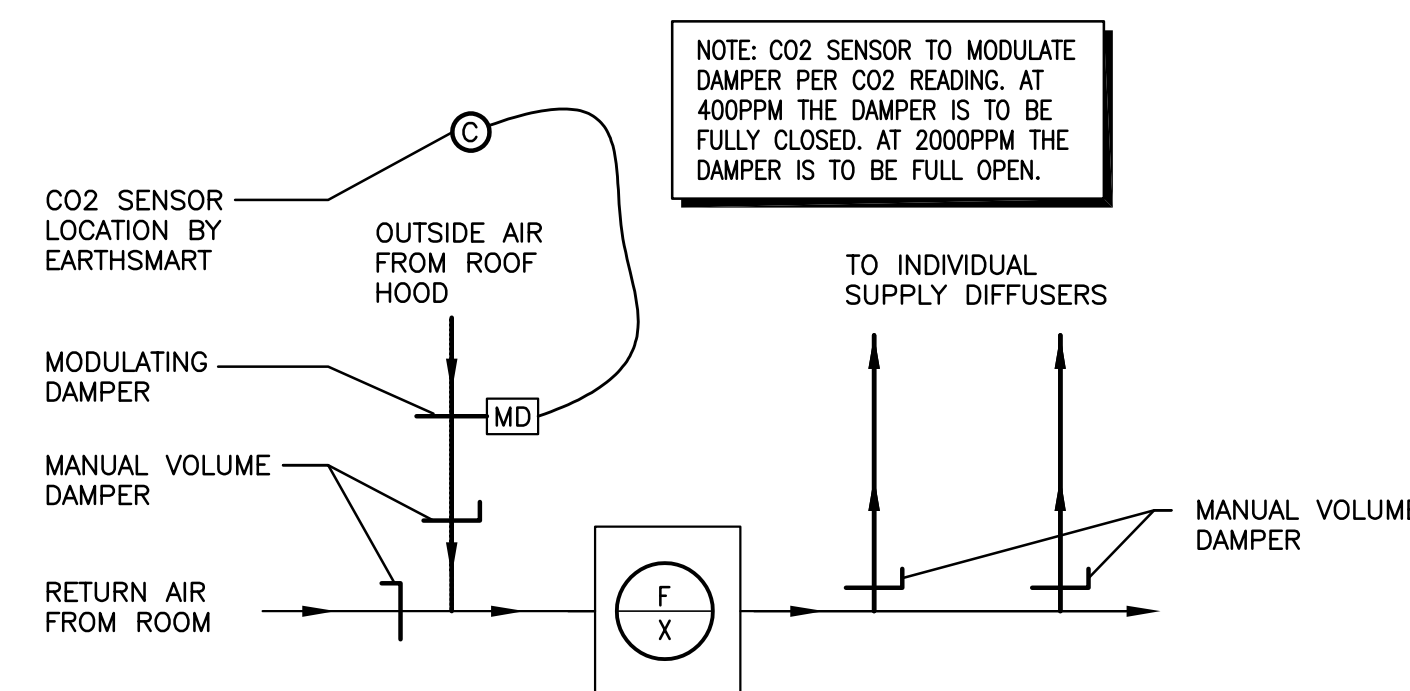
**6 VENT TERMINATION DETAIL**  
NOT TO SCALE



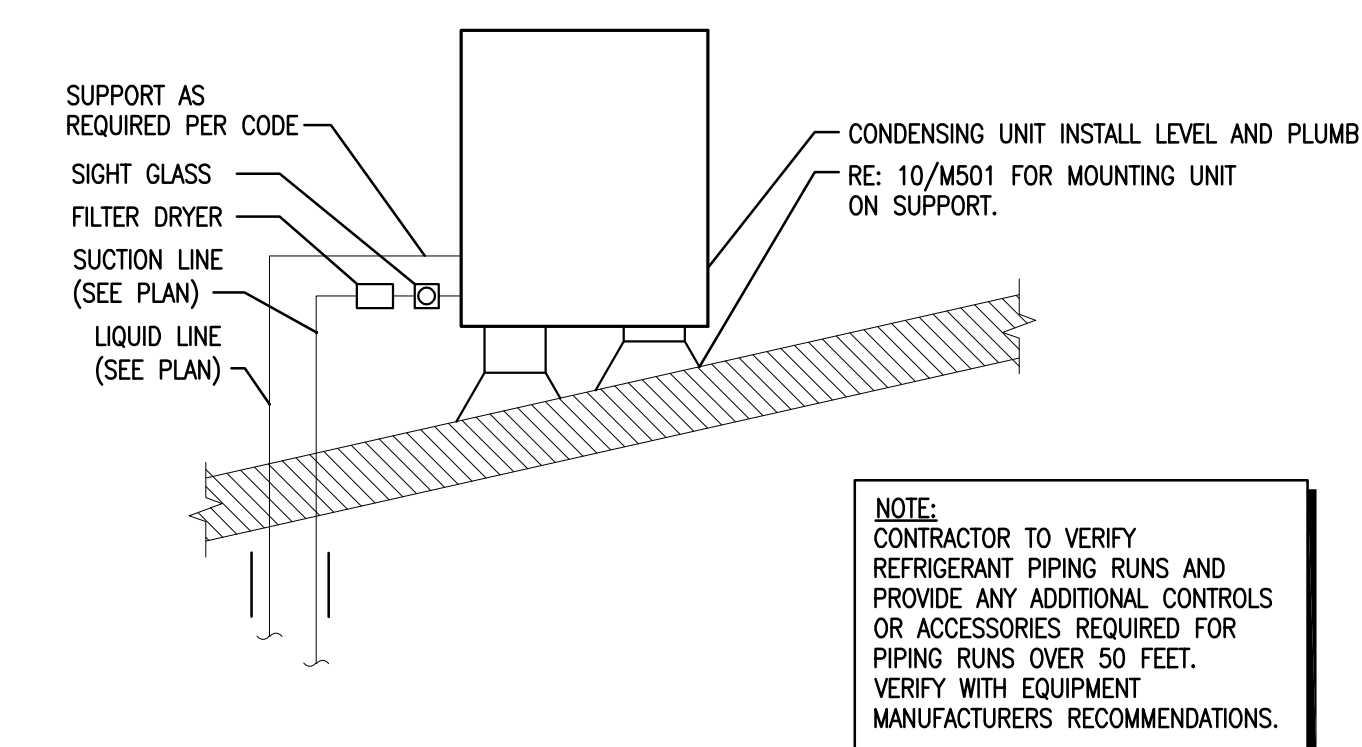
**5 TRANSFER GRILLE DETAIL**  
NOT TO SCALE



**10 CONDENSING UNIT ROOF SUPPORT**  
NOT TO SCALE



**9 TYPICAL FURNACE AIR BALANCING SCHEMATIC**  
NOT TO SCALE



**8 CONDENSING UNIT MOUNTING DETAIL**  
NOT TO SCALE