



DW
drawn by
TVO
checked by
SEPTEMBER 2021
date

revisions

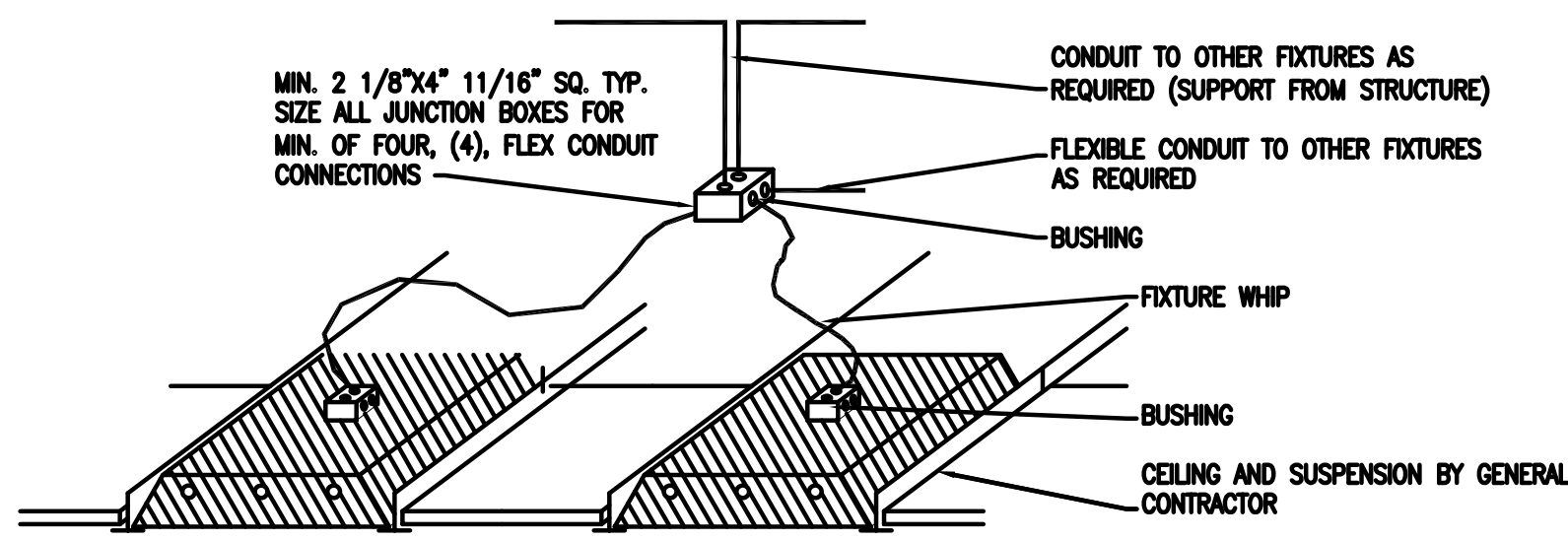
MOORE PUBLIC SCHOOLS
BOARD OF EDUCATION
MOORE, OKLAHOMA



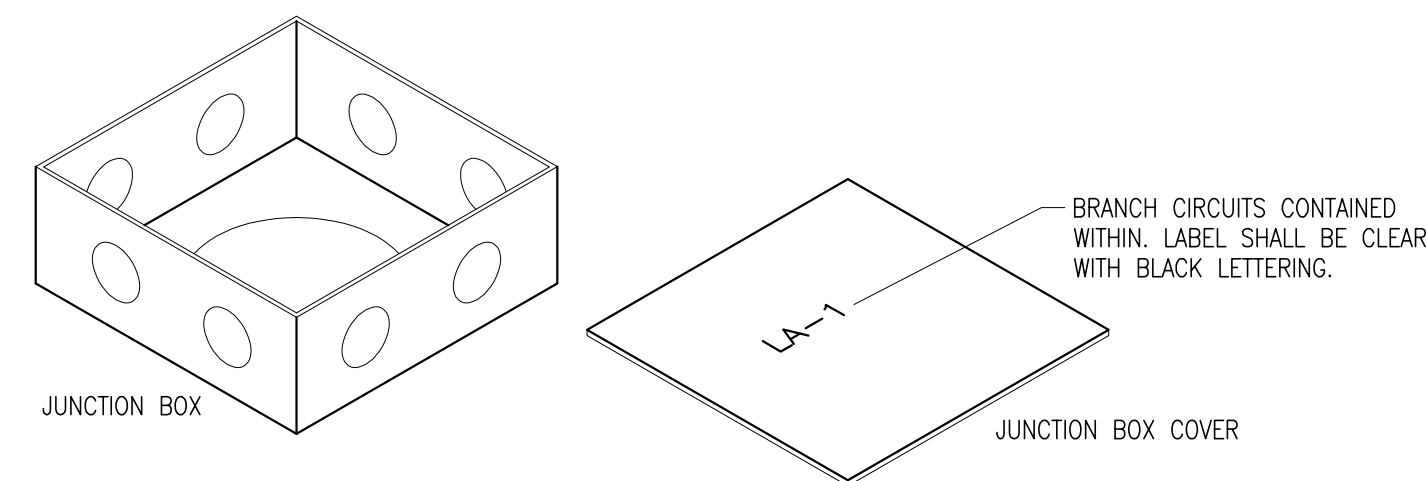
CLASSROOM ADDITION
HIGHLAND EAST
JUNIOR HIGH SCHOOL

sheet no:

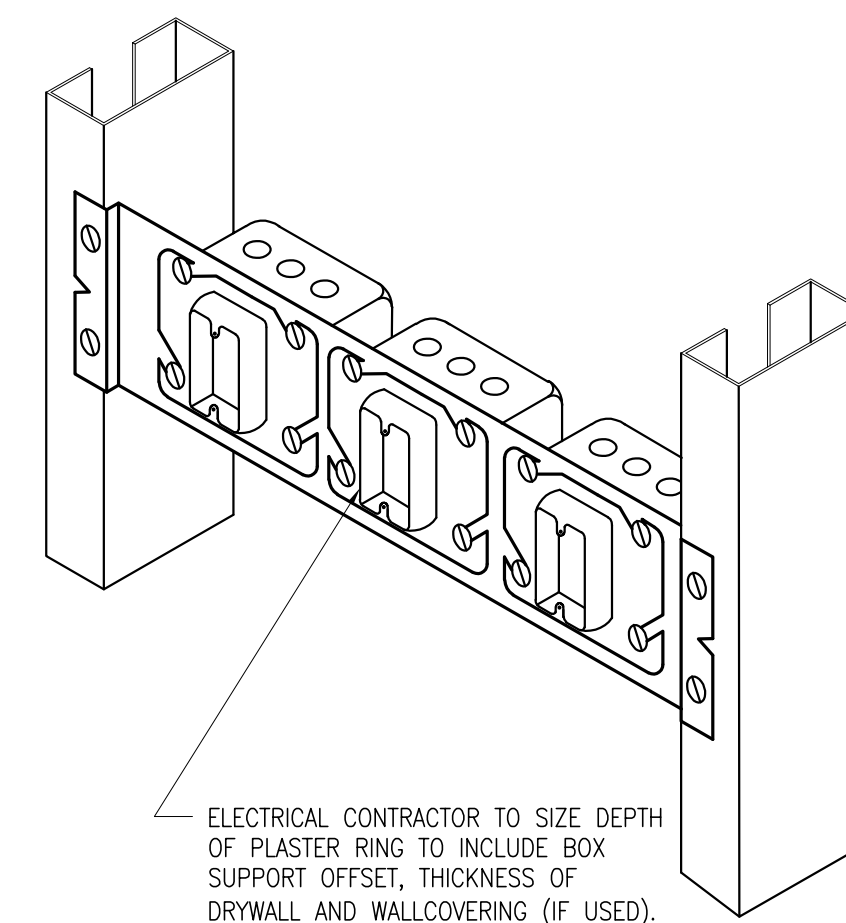
E501



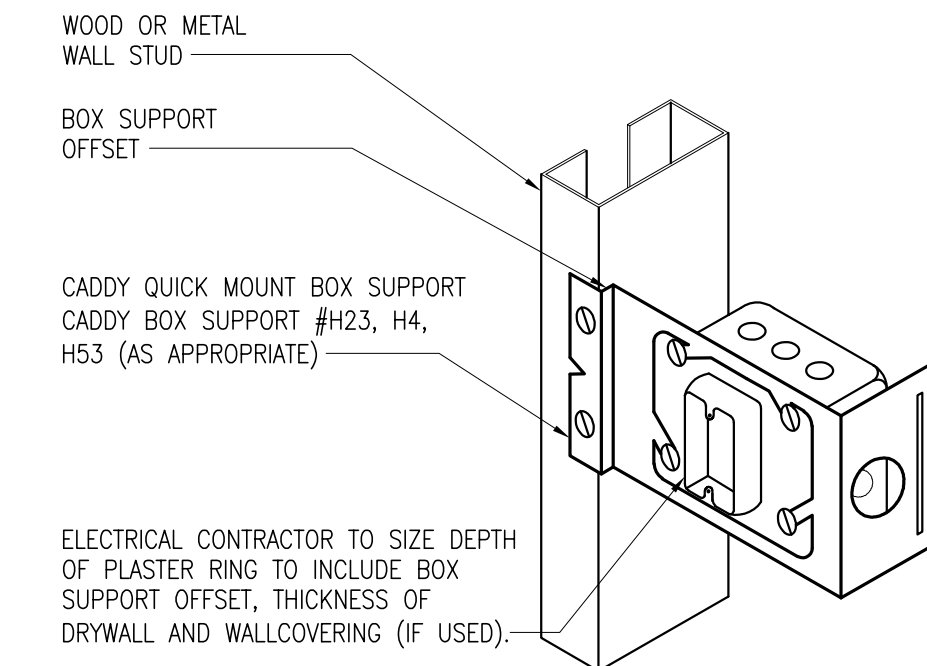
4 TYP. TROFFER POWER DETAIL
NOT TO SCALE



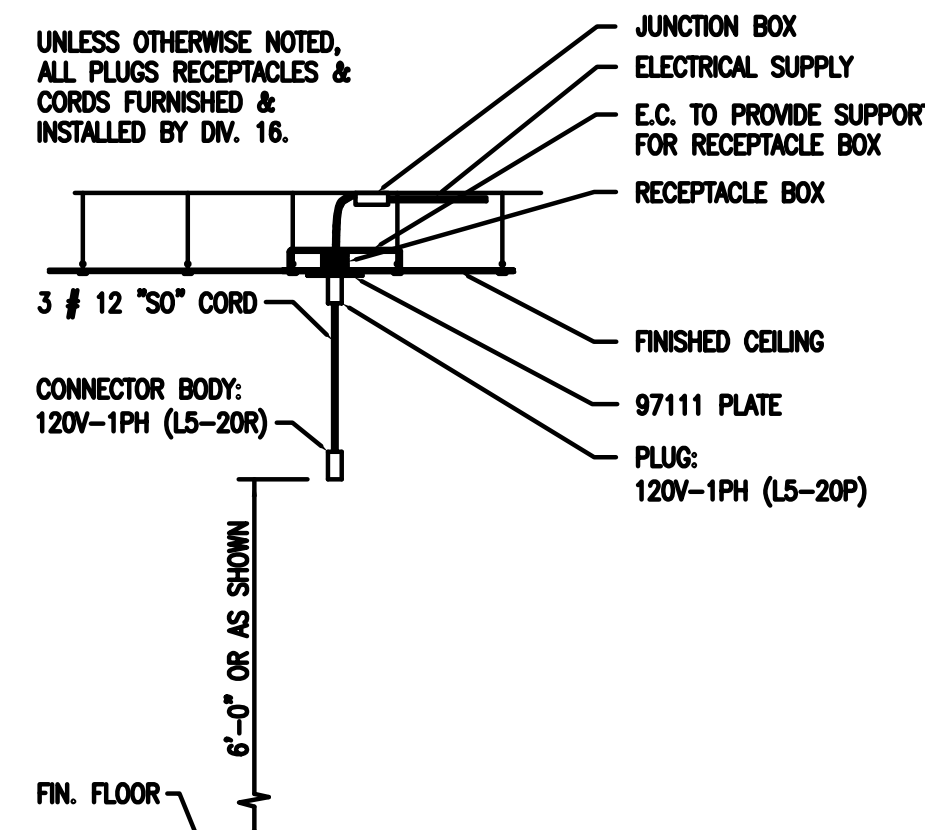
3 JUNCTION BOX DETAIL
NO SCALE



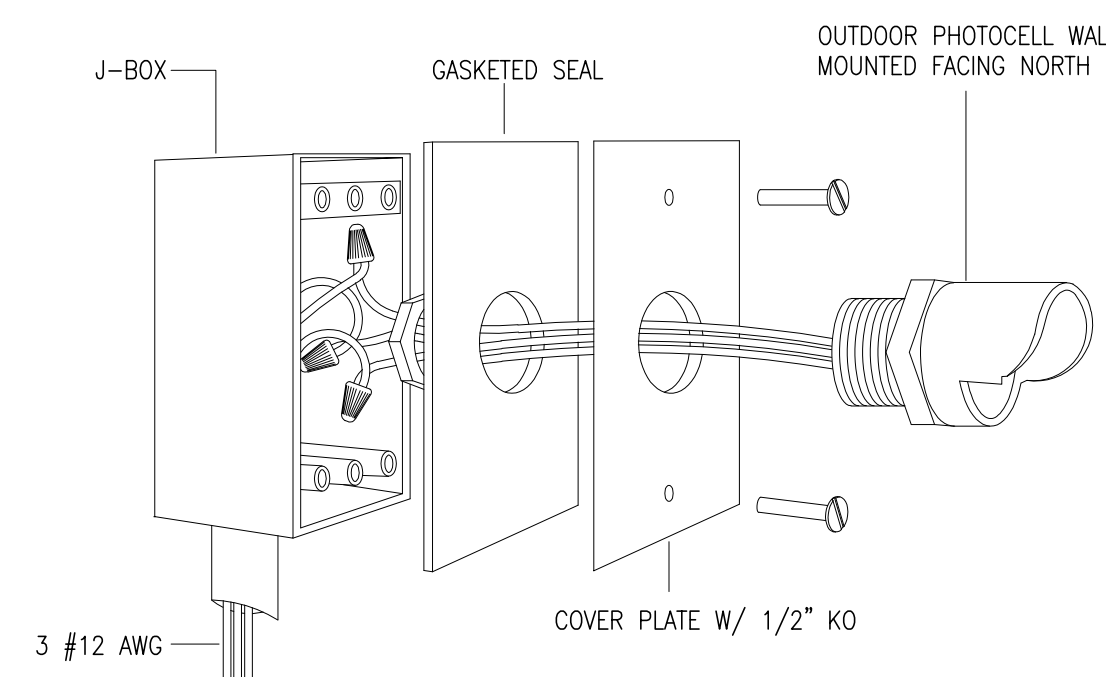
2 MULTIPLE BOX SUPPORT DETAIL
NO SCALE



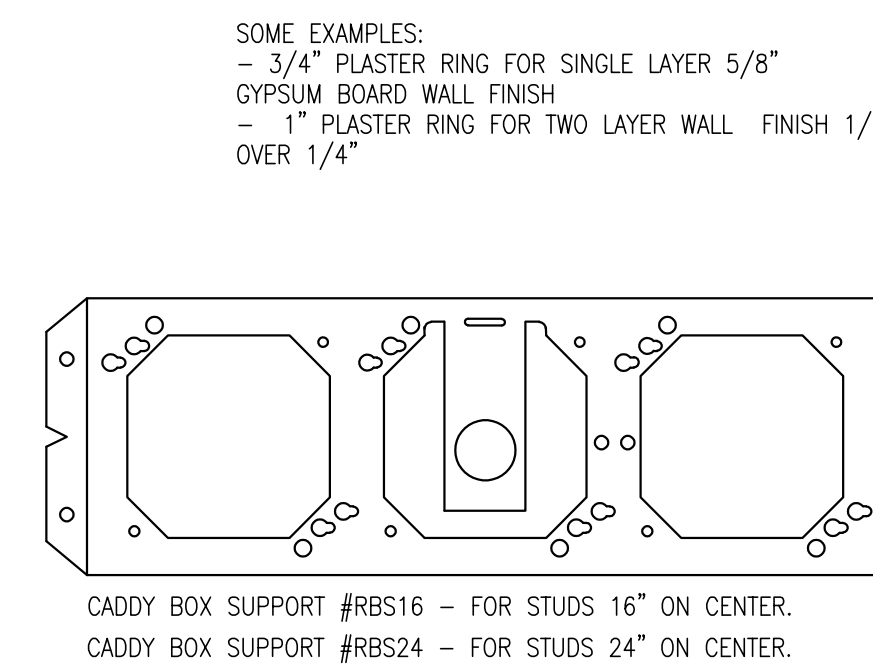
1 BOX SUPPORT DETAIL
NO SCALE



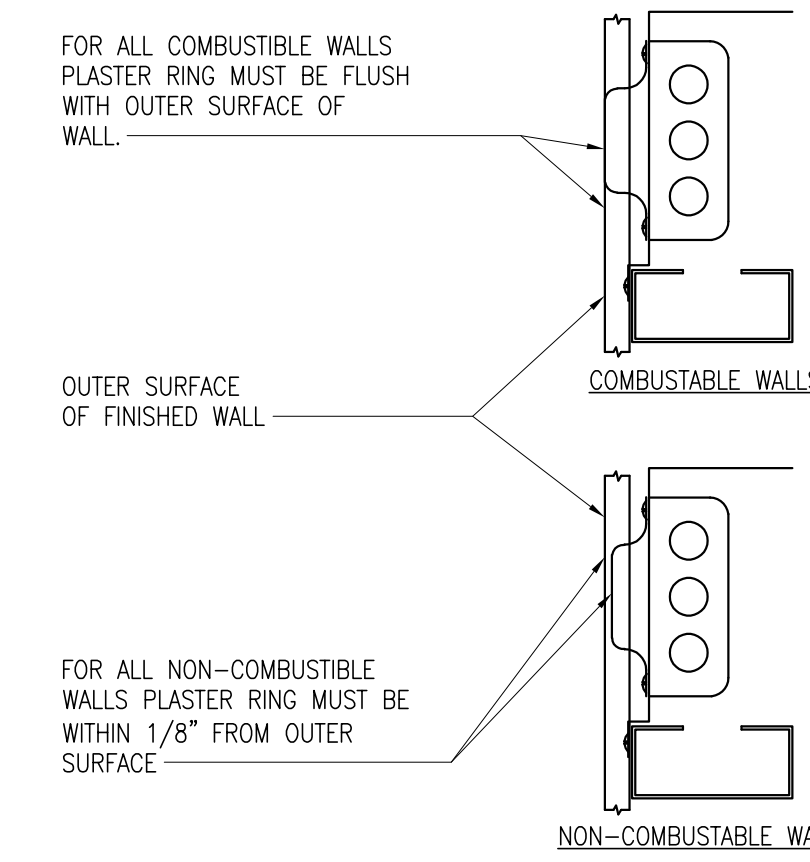
6 DROP CORD RECEPTACLE
NO SCALE



5 OUTDOOR PHOTOCELL
NOT TO SCALE

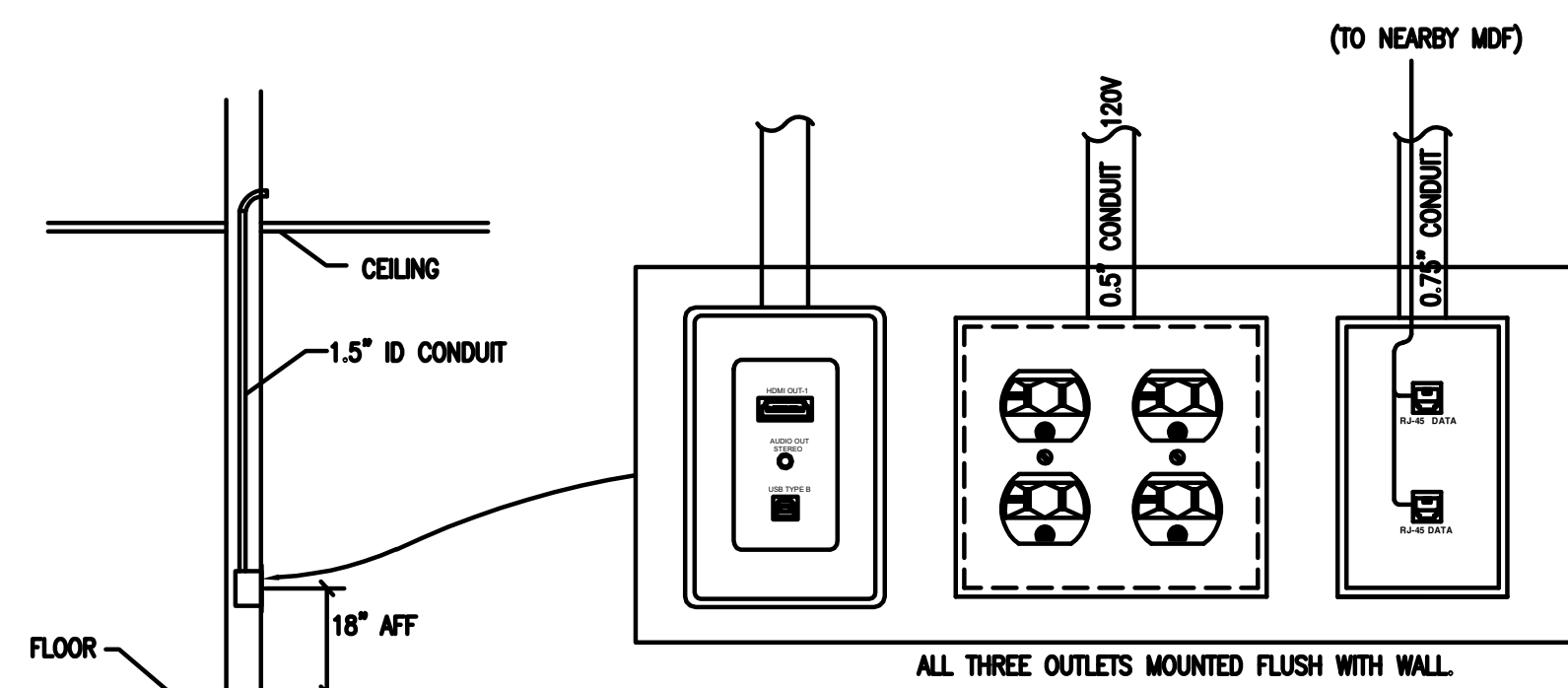


2 MULTIPLE BOX SUPPORT DETAIL
NO SCALE



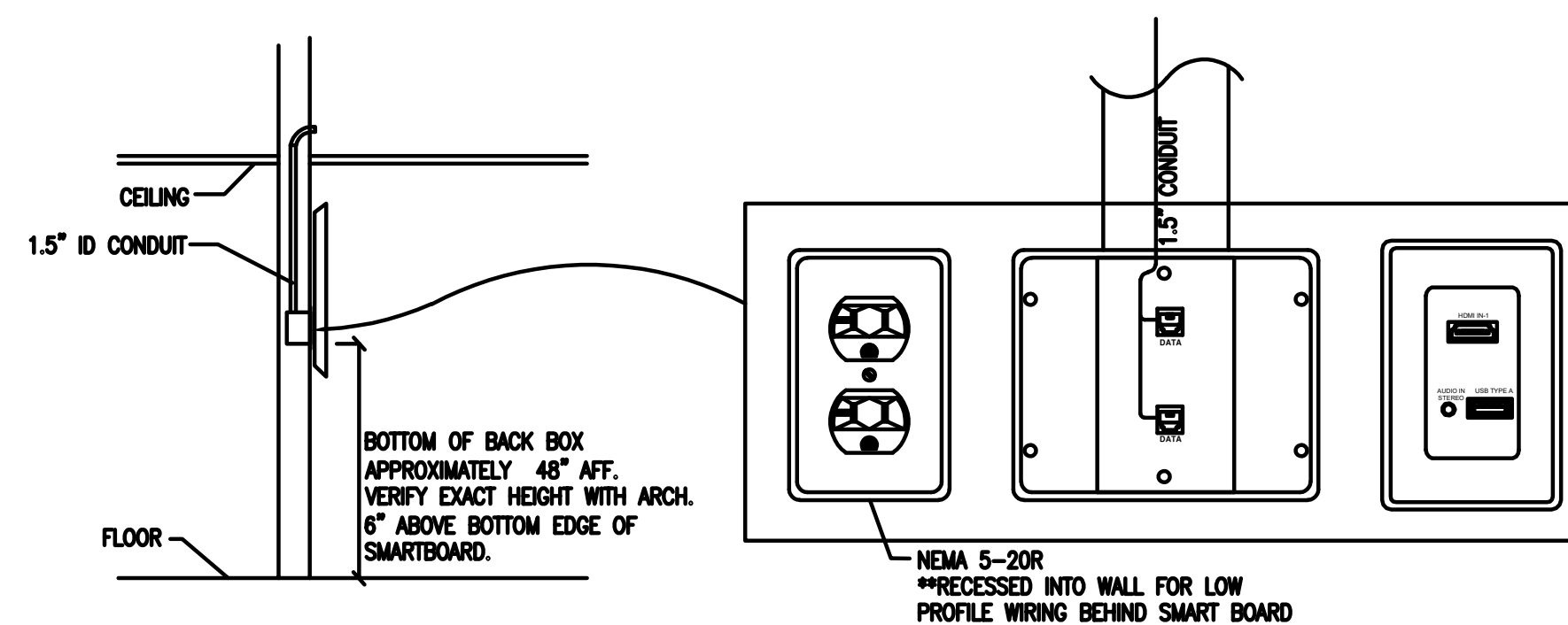
1 BOX SUPPORT DETAIL
NO SCALE

DATA & POWER OUTLET NEAR TEACHERS DESK

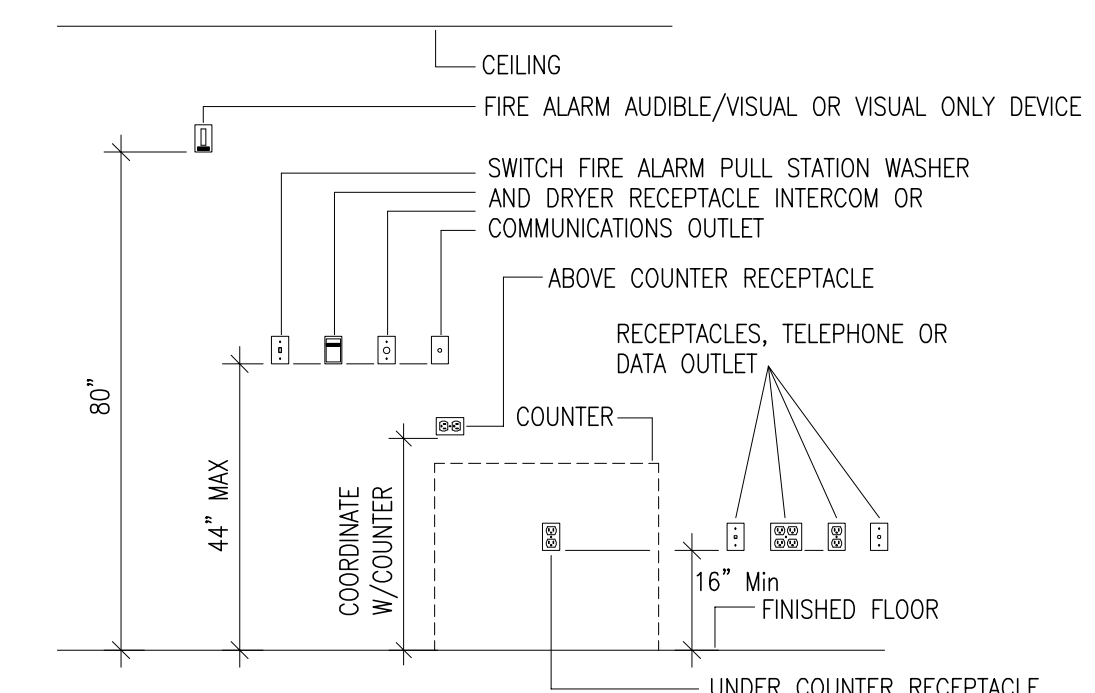


8 TEACHERS DESK & SMART BOARD WIRING DETAIL
NO SCALE

POWER OUTLET BEHIND SMARTBOARD



NEMA 5-20R
**RECESSED INTO WALL FOR LOW PROFILE WIRING BEHIND SMART BOARD



7 TYP. OUTLET MOUNTING DETAIL
NOT TO SCALE