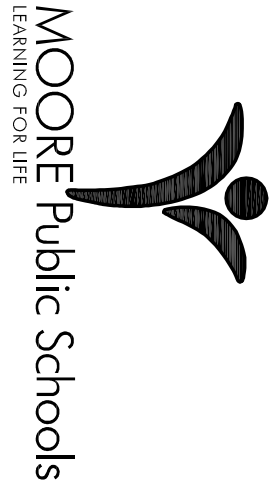




CG
drawn by _____
MA
checked by _____
SEPTEMBER 2021
date _____
revisions _____

MOORE PUBLIC SCHOOLS
BOARD OF EDUCATION
MOORE, OKLAHOMA

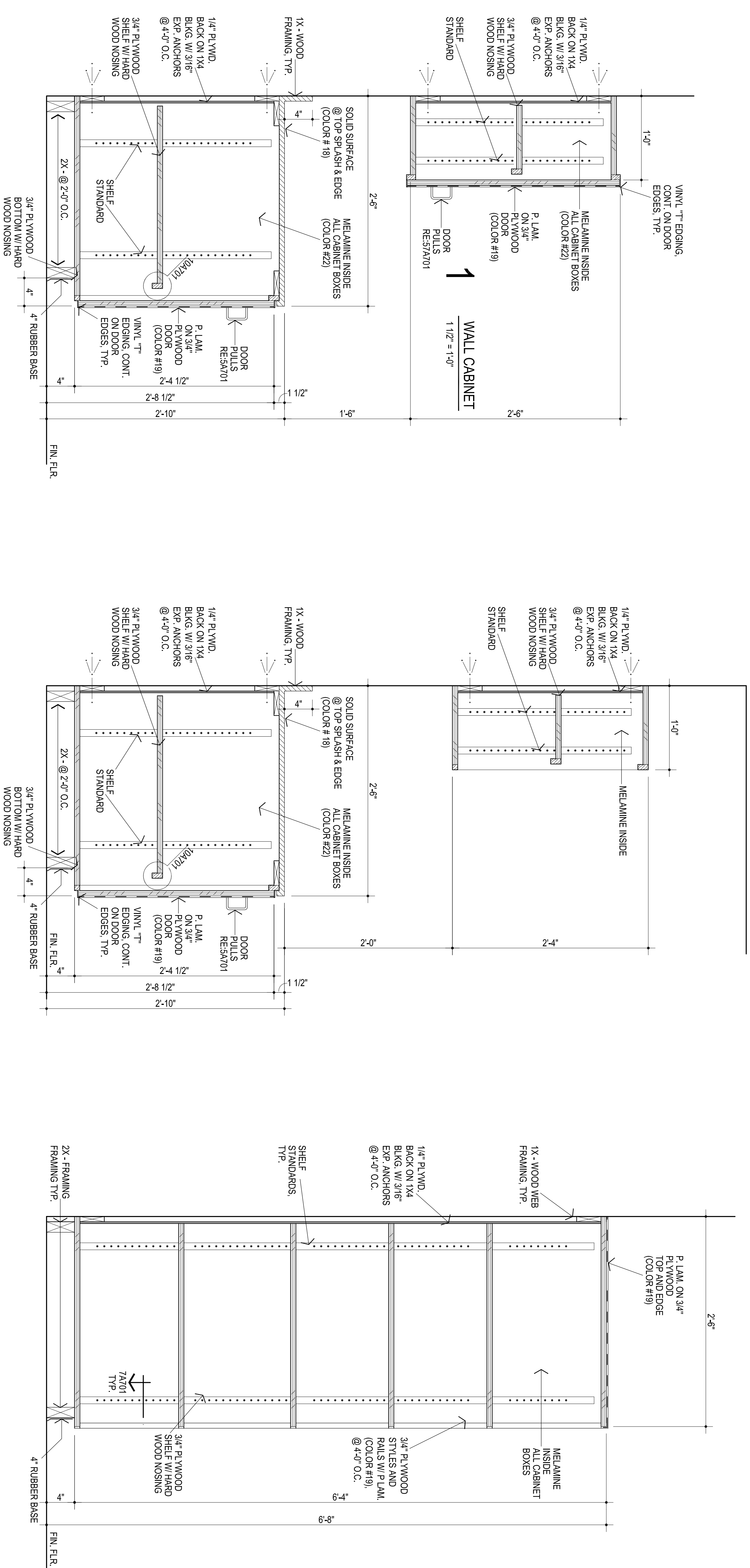


CLASSROOM ADDITION
HIGHLAND EAST
JUNIOR HIGH SCHOOL

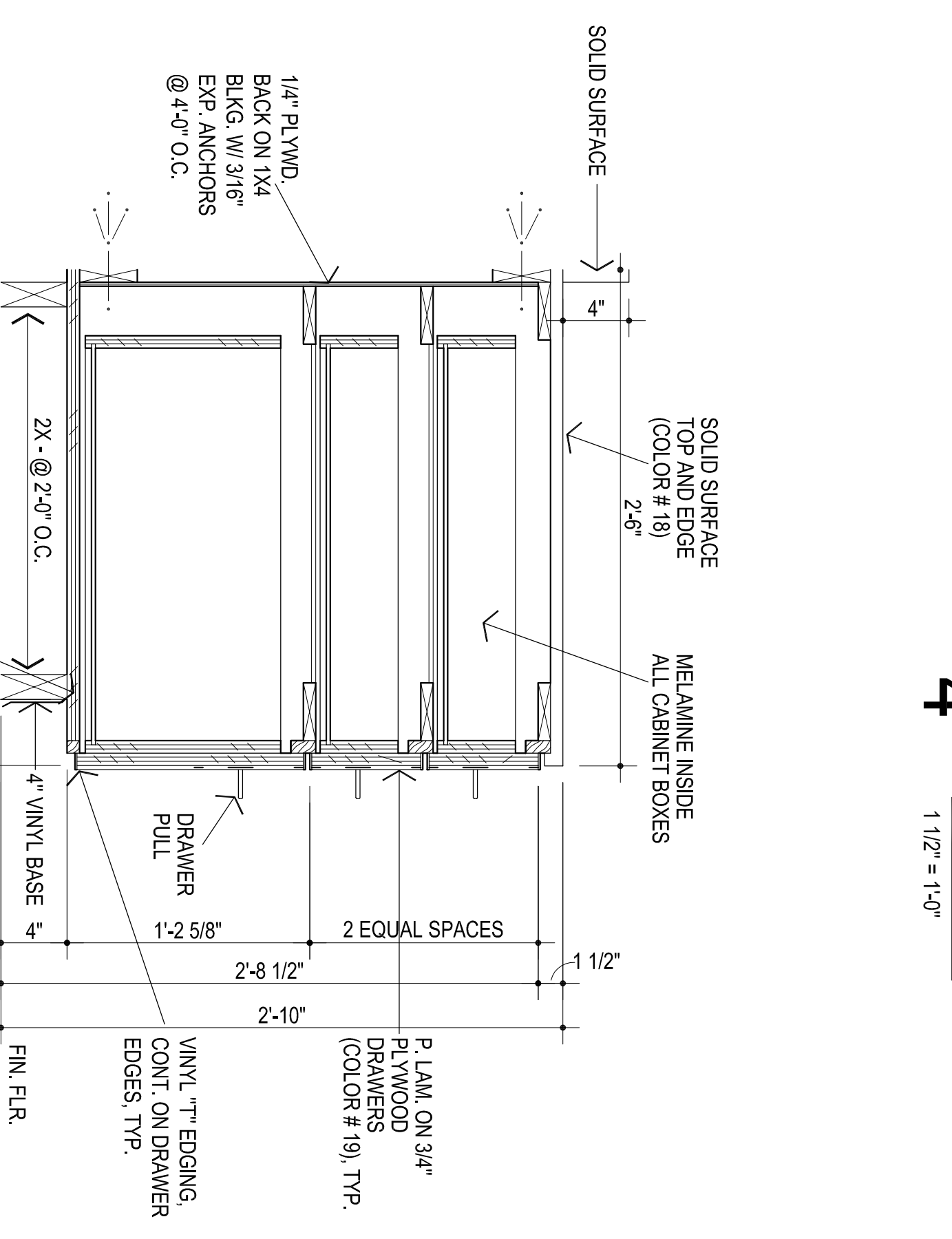
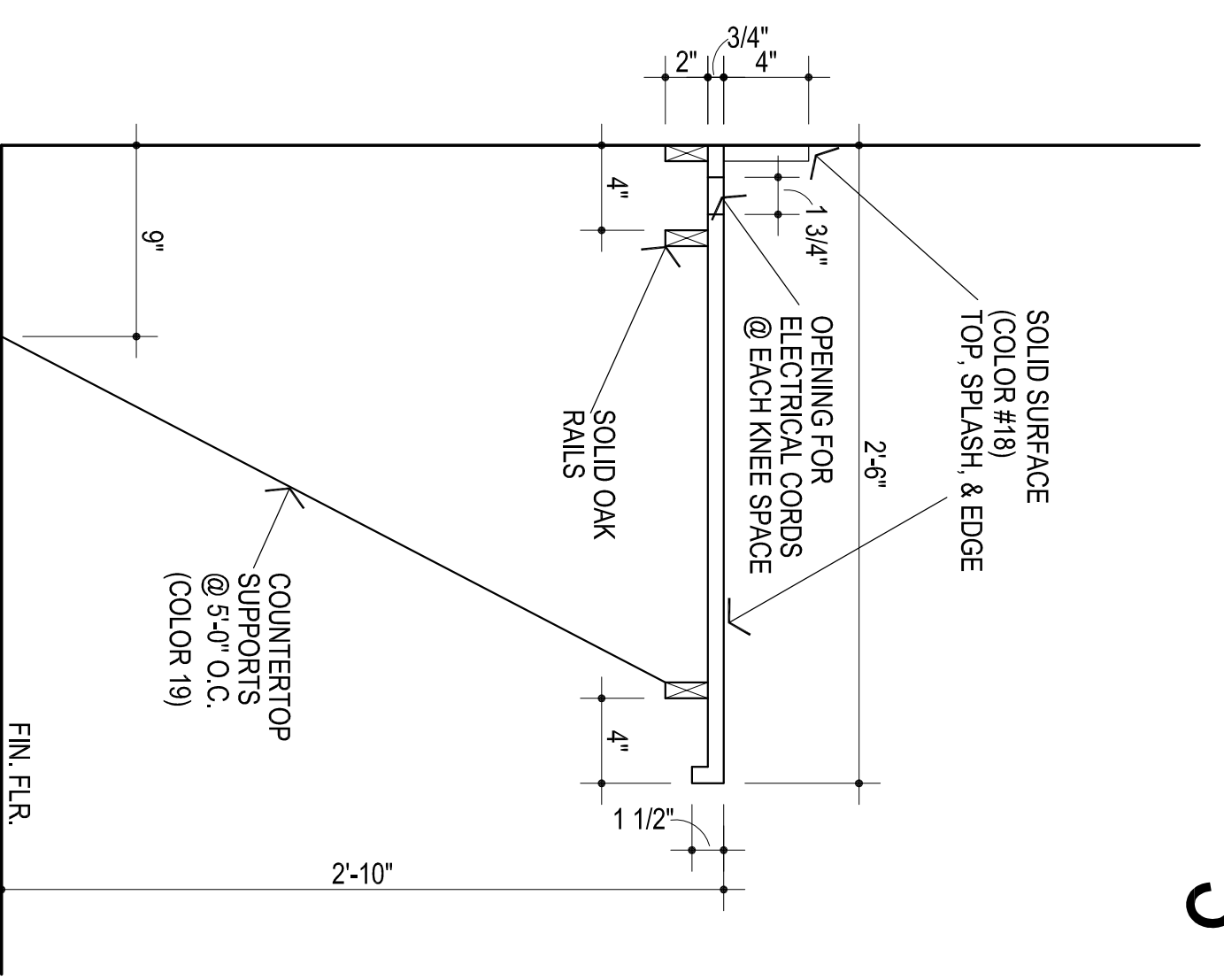
SHEET NO:

A702

OWNERSHIP USE OF DOCUMENTS:
AGP EXPRESSLY RESERVES ITS
COPYRIGHT AND OTHER PROPERTY
RIGHTS OF ALL PLANS AND DRAWINGS
DESIGNED AND/OR PRODUCED. PLANS
AND DRAWINGS ARE NOT TO BE
REPRODUCED IN ANY FORM OR MANNER
WITHOUT THE EXPRESS WRITTEN
CONSENT OF AGP.



FRAMELESS
CABINET / EUROPEAN
CONSTRUCTION IS
ACCEPTABLE



5 BASE CABINET W/ KNEE SPACE
1 1/2" x 1-0"

6 BASE CABINET W/ DRAWERS
1 1/2" x 1-0"