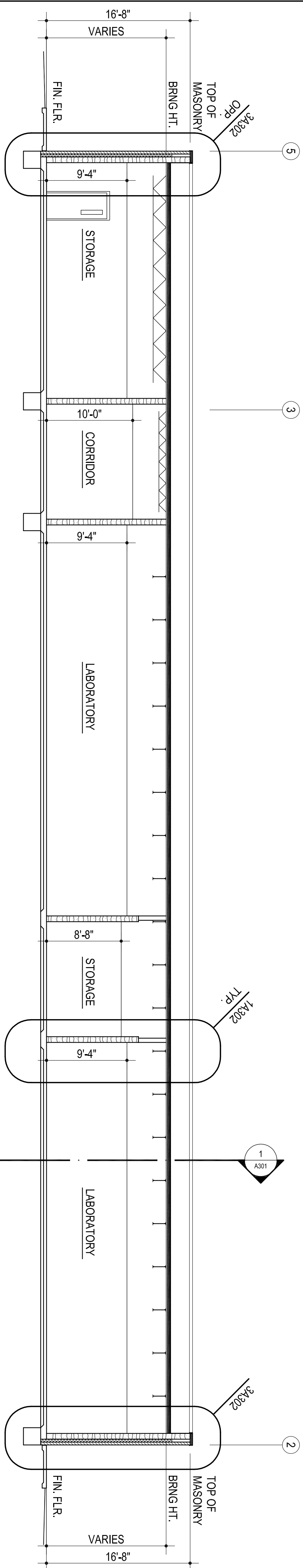
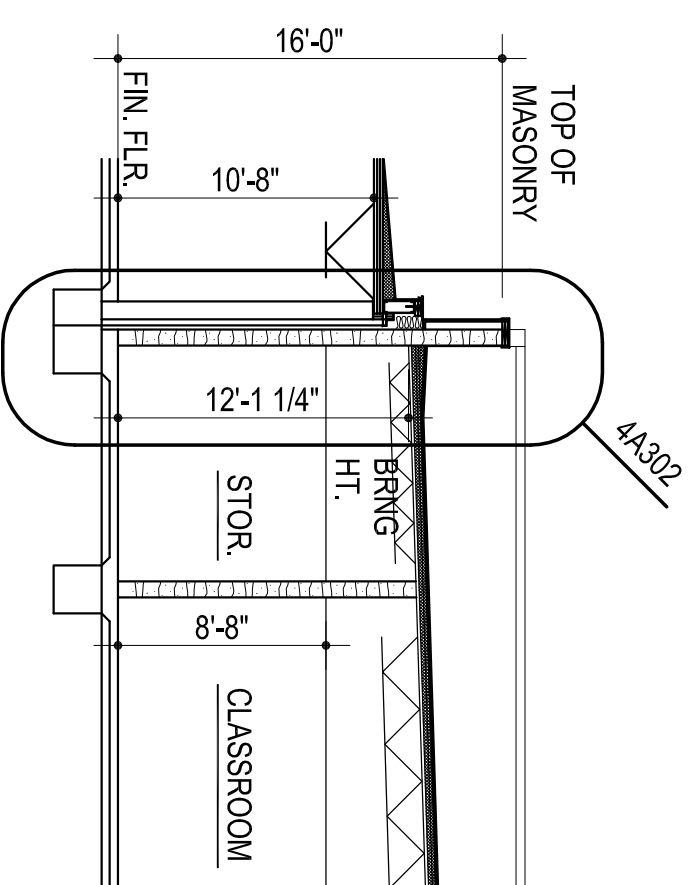


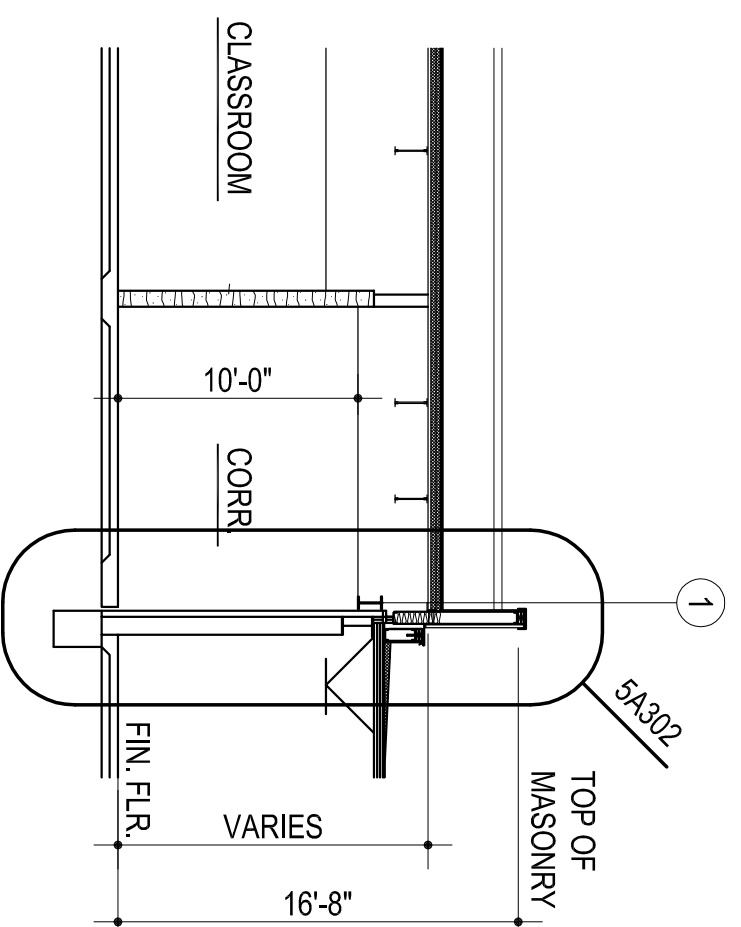
1
BUILDING SECTION
1/8" = 1'-0"



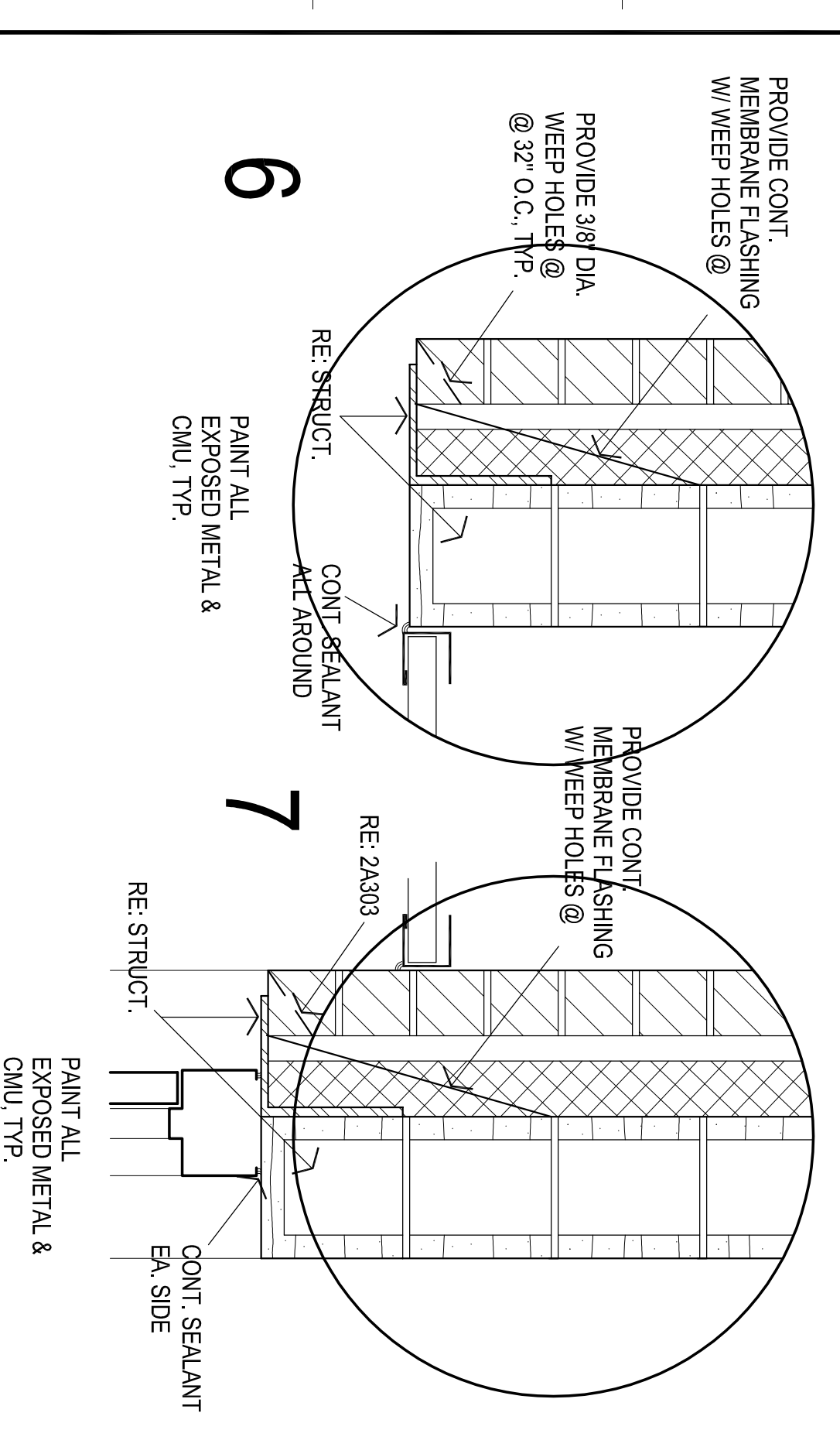
2
BUILDING SECTION
1/8" = 1'-0"



3
BUILDING SECTION
1/8" = 1'-0"

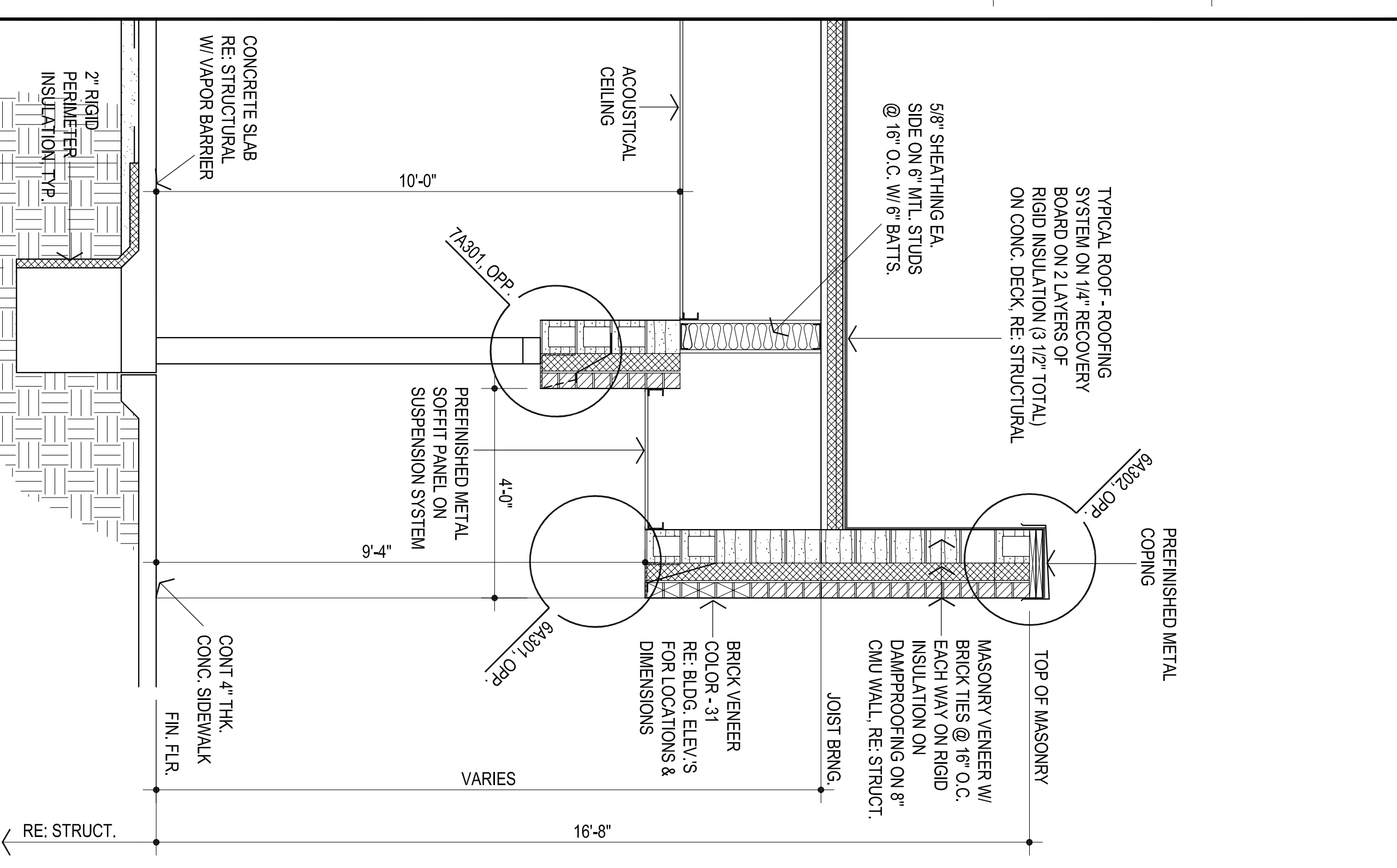


4
BUILDING SECTION
1/8" = 1'-0"



6

7



5
WALL SECTION
1/2" = 1'-0"

AGP
the Abila Griffin
Partnership L.L.C.

201 N. BROADWAY
SUITE 210
MOORE, OK, 73160
405.735.3477
AGP@theAGP.net
www.theAGP.net

MOB ENGINEERING PLLC
CIVIL
KFC ENGINEERING
STRUCTURAL
SALAS ORBRIEN
MECHANICAL/ELECTRICAL

STATE OF OKLAHOMA
MICHAEL L. ABILA
ABILA
2639
SEPTEMBER 2011
9/30/21

CC _____
drawn by _____
MA _____
checked by _____
date SEPTEMBER 2021
revisions _____

MOORE PUBLIC SCHOOLS
BOARD OF EDUCATION
MOORE, OKLAHOMA
LEARNING FOR LIFE
MOORE Public Schools

CLASSROOM ADDITION
HIGHLAND EAST
JUNIOR HIGH SCHOOL

Sheet No.
A301

OWNERSHIP USE OF DOCUMENTS:
AGP EXPRESSLY RESERVES ITS
COPYRIGHT AND OTHER PROPERTY
RIGHTS OF ALL PLANS AND DRAWINGS
DESIGNED AND/OR PRODUCED. PLANS
REPRODUCED IN ANY FORM OR MANNER
WITHOUT THE EXPRESSED WRITTEN
CONSENT OF AGP.