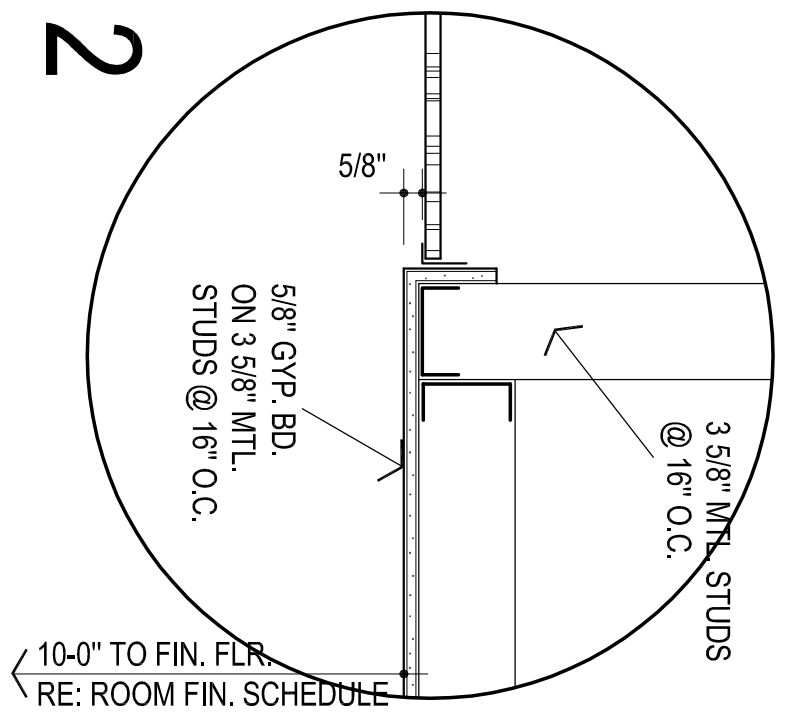
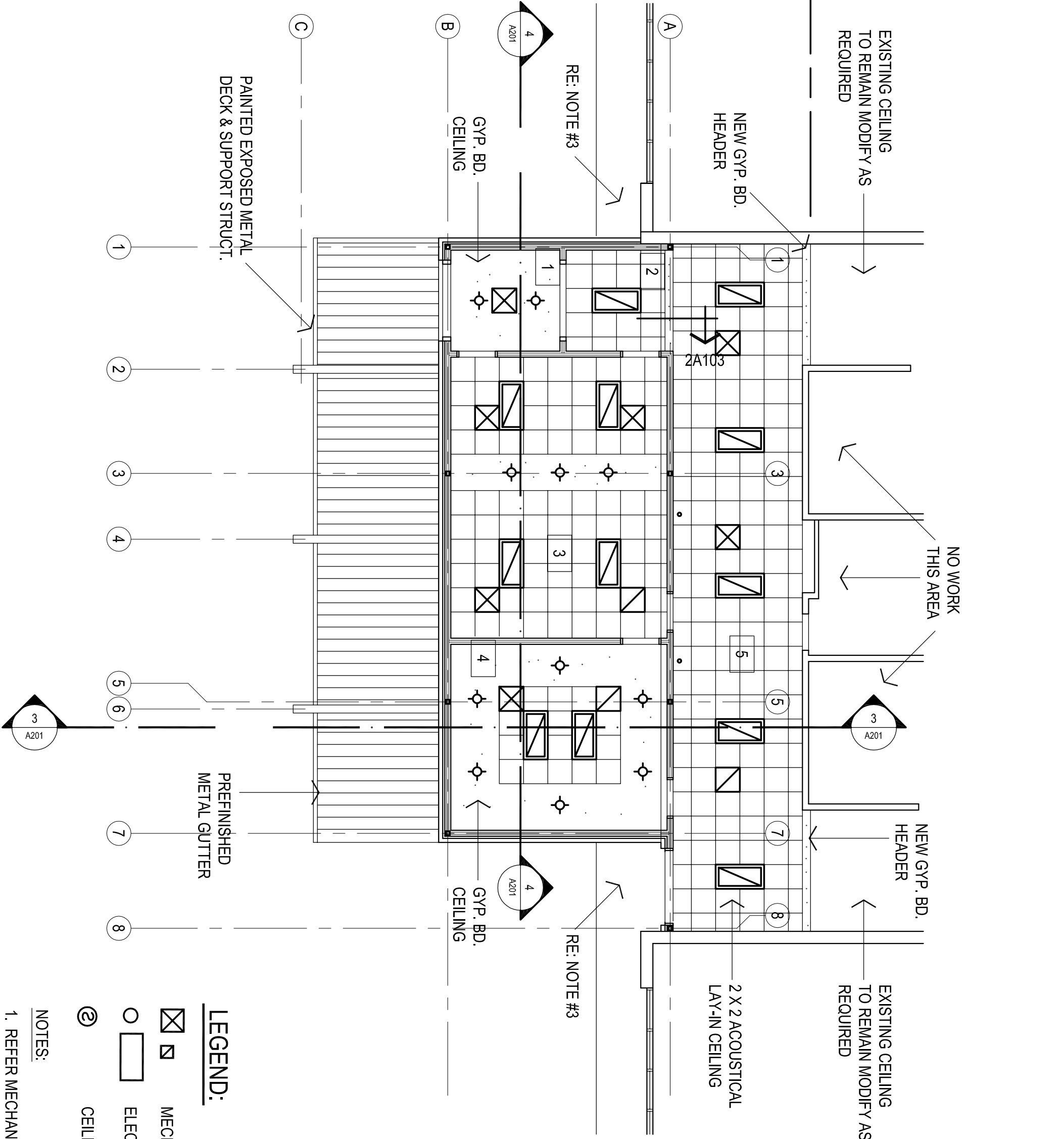
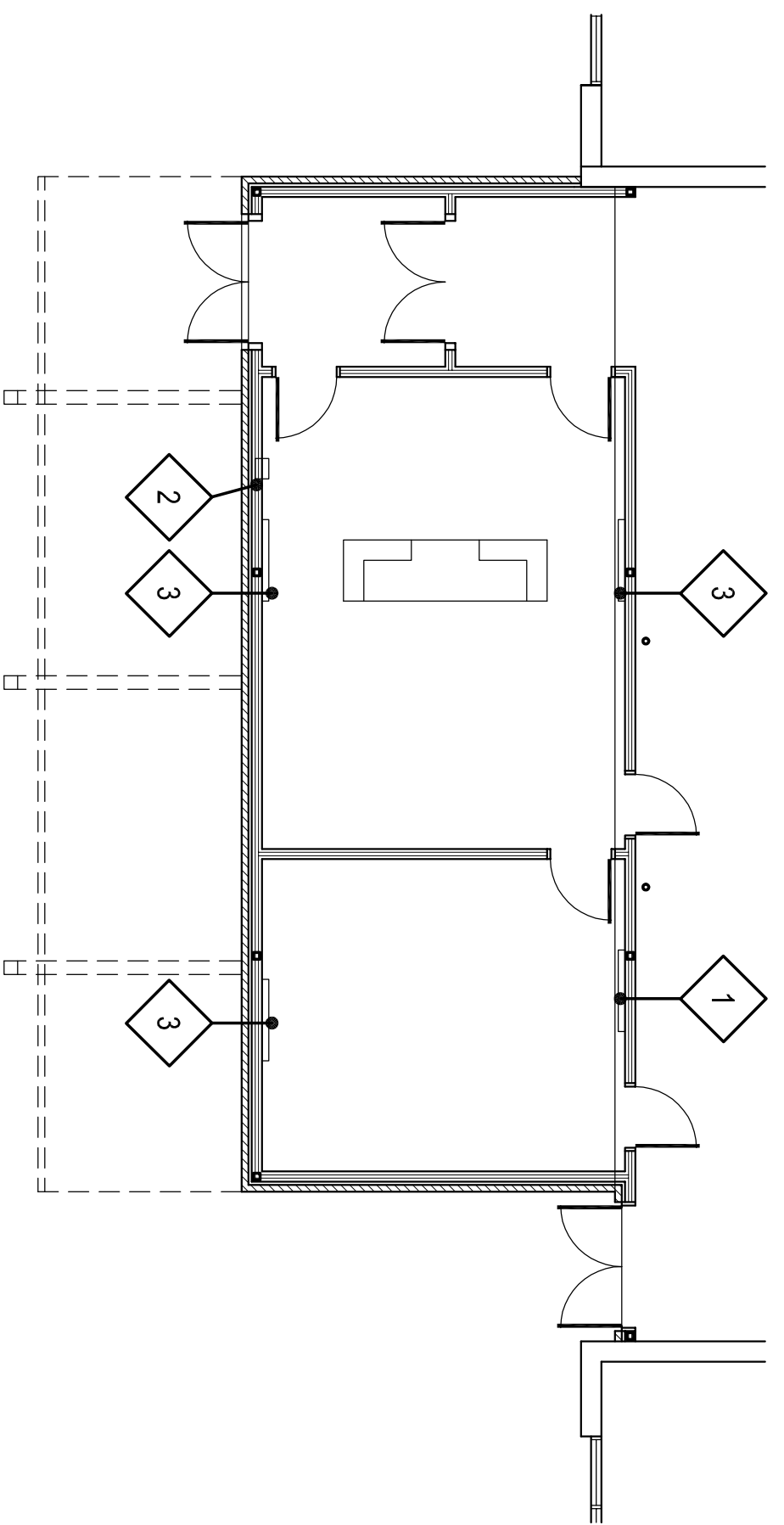


NEW ADDITION EXISTING BUILDING NO WORK



1
REFLECTED CEILING PLAN
1/8" = 1'-0"



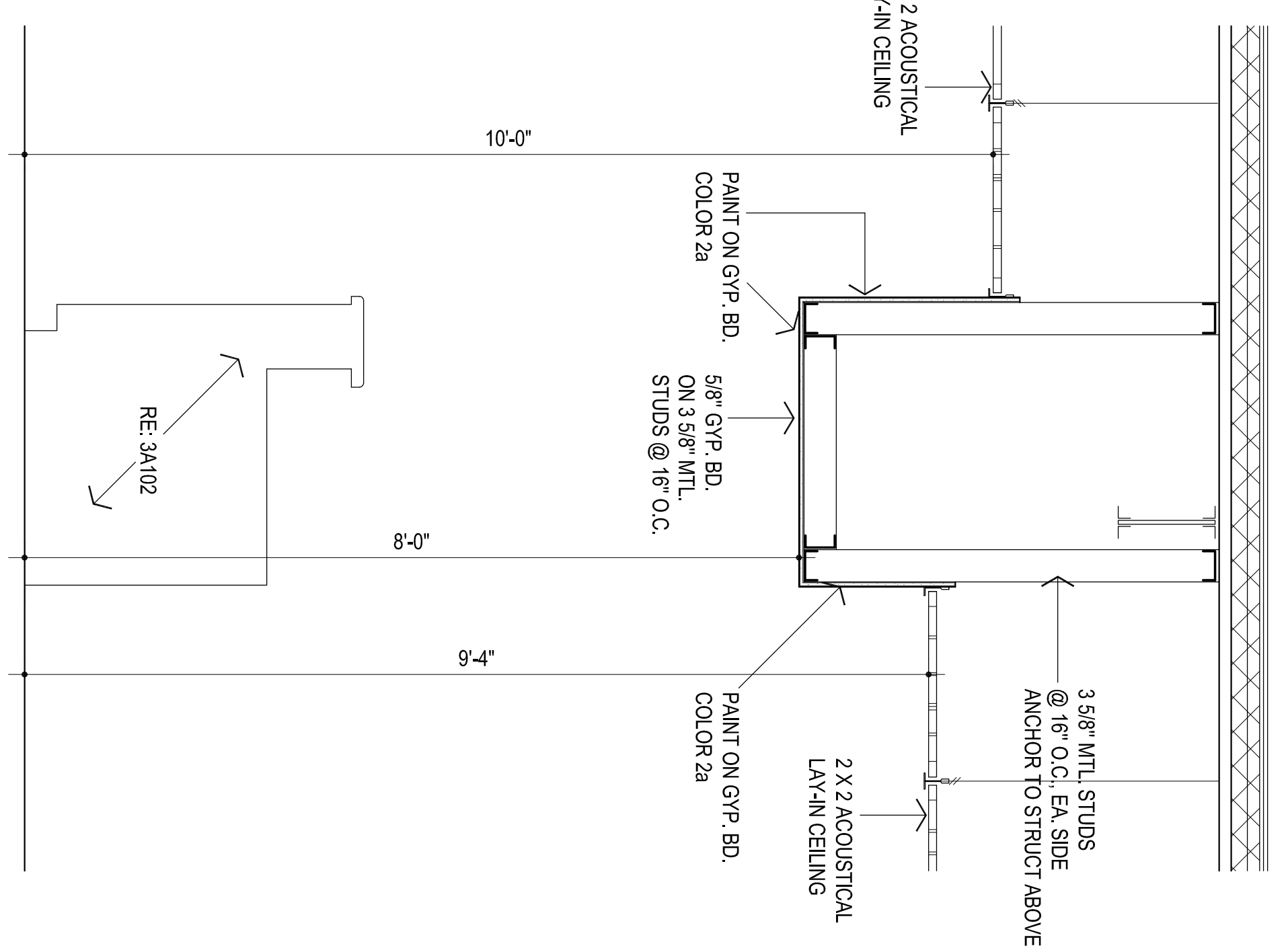
4
EQUIPMENT PLAN
1/8" = 1'-0"

LEGEND:

- MECHANICAL OPENINGS
- ELECTRICAL FIXTURES
- CEILING MOUNTED SMOKE DETECTOR. RE: ELEC

- NOTES:**
1. REFER MECHANICAL & ELECTRICAL FOR ANY ADDITIONAL CEILING MOUNTED FIXTURES
 2. REFER TO SHEET A100 FOR LOCATIONS OF FIRE-RATED WALLS
 3. EXISTING SOFFIT TO REMAIN PROVIDE NEW SOFFIT MATERIALS, TRIM, ETC FOR COMPLETE INSTALLATION. SALVAGE EXISTING SOFFIT TO BE REMOVED AS PRACTICAL FOR REUSE.

3
SECTION
3/4" = 1'-0"



| ITEM NO. | QTY | U / C / I | DESCRIPTION | MANUFACTURER | | REMARKS |
|----------|-----|-----------|-----------------------------|--------------------------|----------------------|-------------------------------|
| | | | | NAME | MODEL NO. | |
| 1 | 1 | ● | MARKERBOARD - 4'-0" | BEST-RITE CHALKBOARD CO. | RE: SPECS | W/ CHALK RAIL |
| 2 | 1 | ● | FIRE EXTINGUISHER & CABINET | JL INDUSTRIES | RE: SPECS | |
| 3 | 1 | ● | TACKBOARD - 4'-0" | BEST-RITE CHALKBOARD CO. | RE: SPECS | |
| 4 | 1 | ● | OFFICE DESK | HON | SINGLE FULL PEDESTAL | RECTANGULAR TOP / SWEEP PULLS |
| 5 | 1 | ● | CREDENZA | HON | SINGLE FULL | SWEEP PULLS |
| 6 | 1 | ● | TABLE W/ CHAIRS | | | |
| | | | | | | |
| | | | | | | |
| | | | | | | |
| | | | | | | |

LEGEND :

- CONTRACTOR FURNISHED AND INSTALLED (CFI)
- OWNER FURNISHED AND OWNER INSTALLED (OF / OI)

5
EQUIPMENT / FURNITURE SCHEDULE
1/8" = 1'-0"

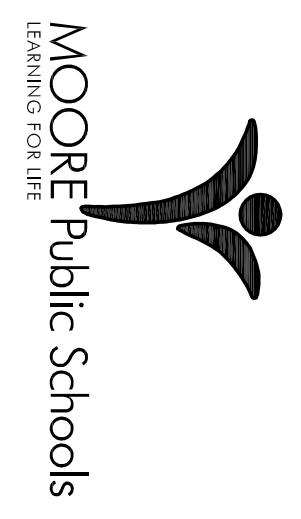
ACGP
the Abla Griffin Partnership L.L.C.
201 N. BROADWAY
SUITE 210
MOORE, OK. 73160
405.735.3477
ACGP@theACGP.net
www.theACGP.net

KFC ENGINEERING
STRUCTURAL
SALUS O'BRIEN
MECHANICAL ELECTRICAL



CS _____
drawn by _____
MA _____
checked by _____
SEPTEMBER 2023
date _____
revisions _____

MOORE PUBLIC SCHOOLS
BOARD OF EDUCATION
MOORE, OKLAHOMA



OFFICE ADDITION
FAIRVIEW
ELEMENTARY SCHOOL

Sheet No.
A103

OWNERSHIP USE OF DOCUMENTS:
ACGP EXPRESSLY RESERVES ITS COPYRIGHT AND OTHER PROPERTY RIGHTS OF ALL PLANS AND DRAWINGS DESIGNED AND/OR PRODUCED HEREIN AND REPRODUCED IN ANY FORM OR MANNER WITHOUT THE EXPRESSED WRITTEN CONSENT OF ACP.