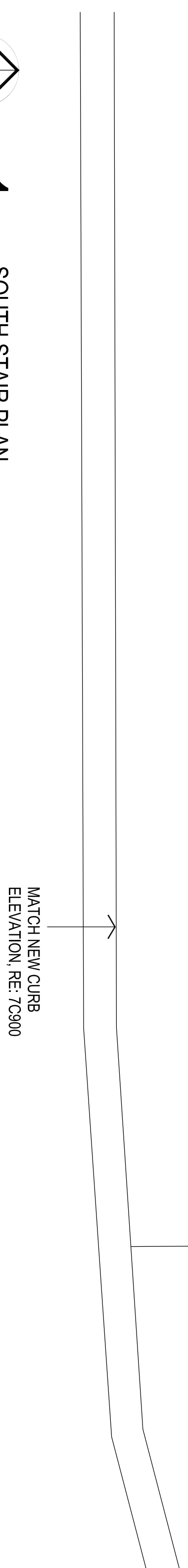
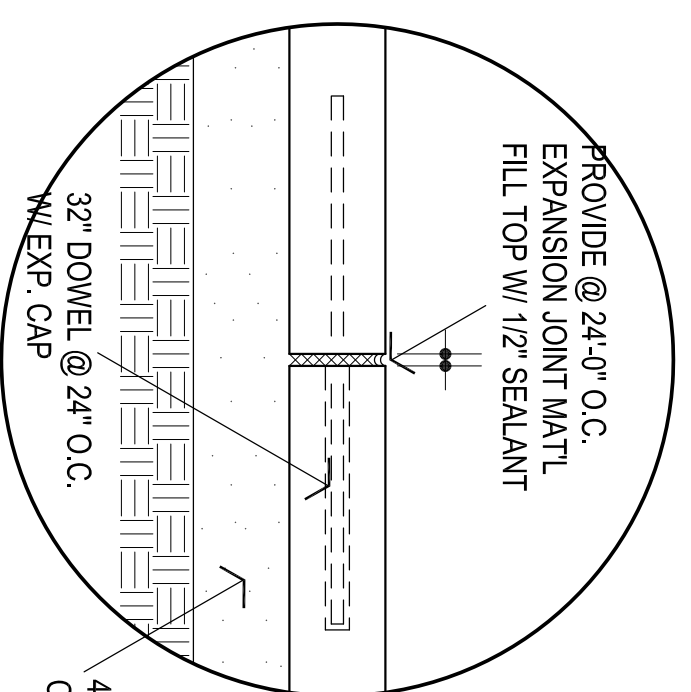


10 STEP SECTION
3/4" = 10"

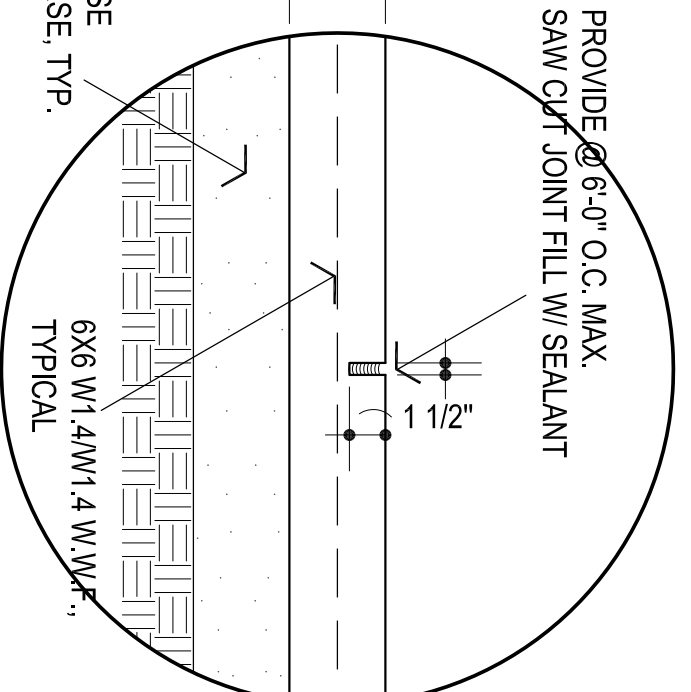
NOTE:
CONTRACTOR SHALL COORDINATE ALL
FINAL ELEVATIONS W/ ARCHITECT



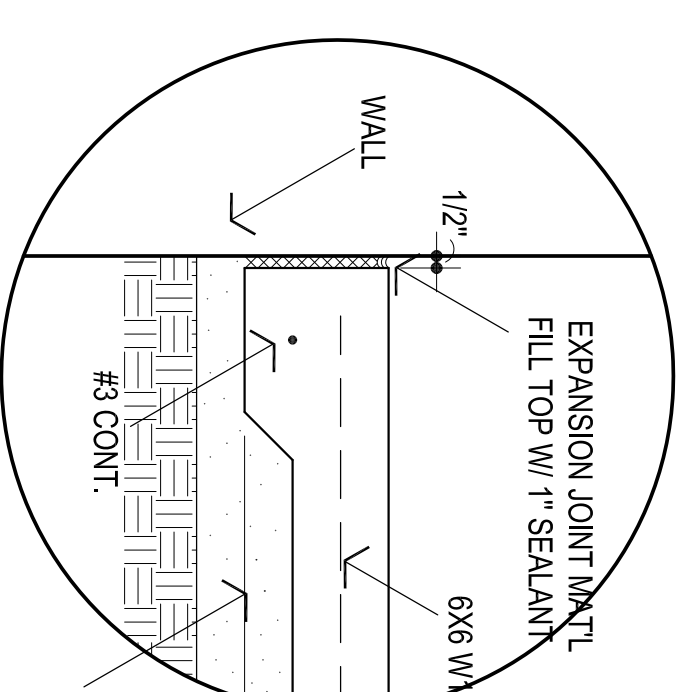
1 SOUTH STAIR PLAN
1/4" = 1'-0"



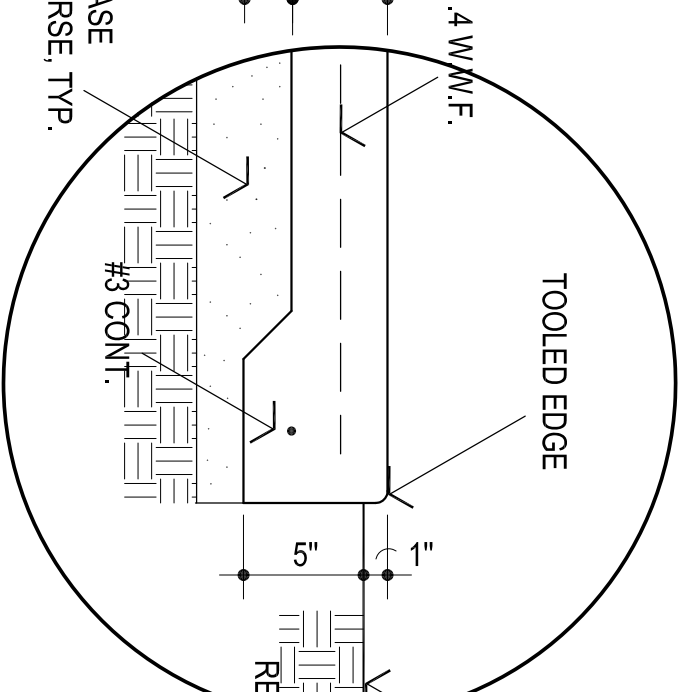
2 SIDEWALK EXP. JOINT



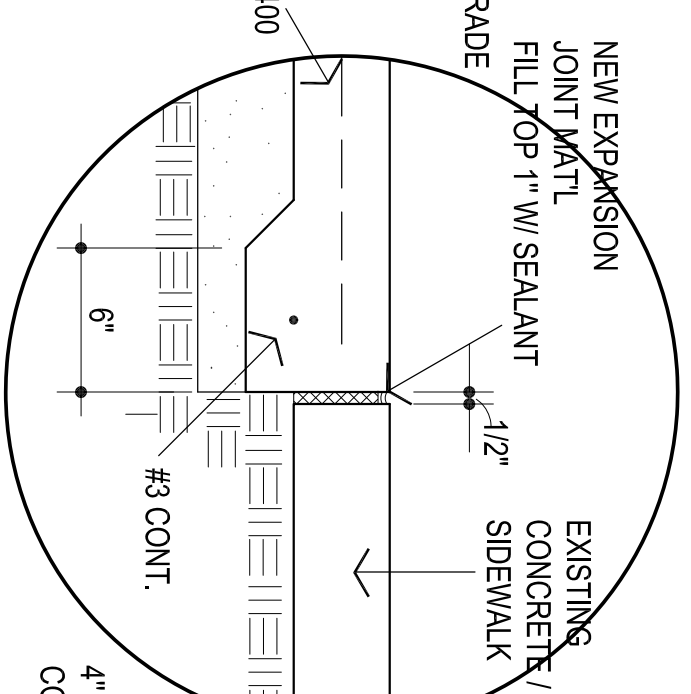
3 SIDEWALK CONTROL JT.



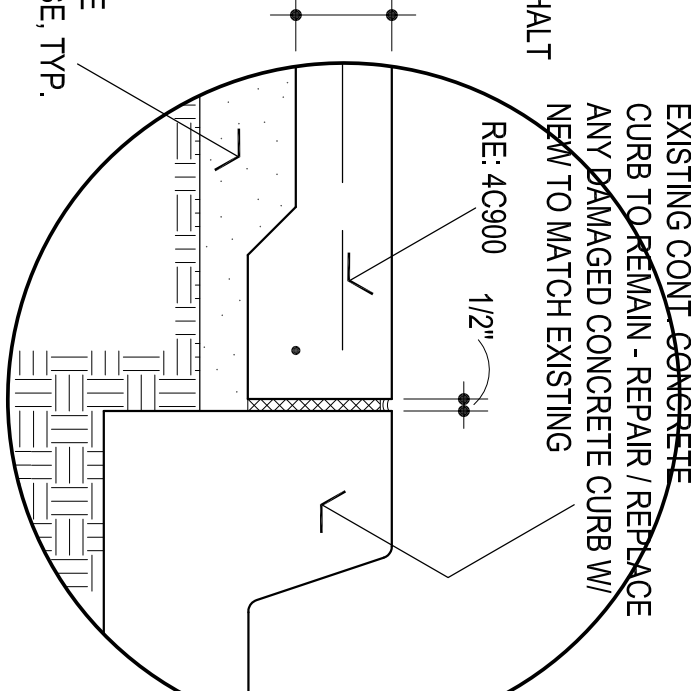
4 SIDEWALK @ VERT. SURF.



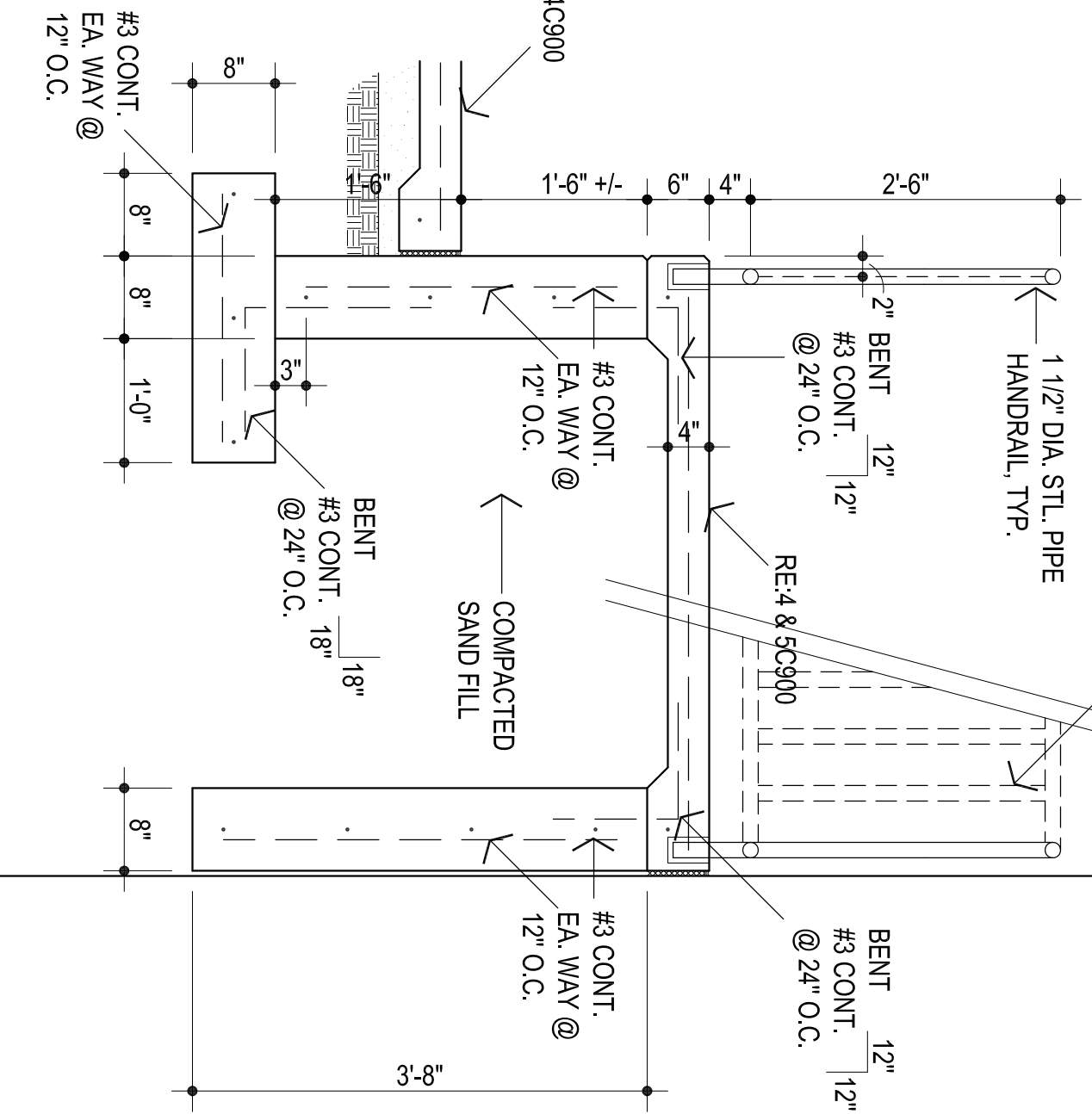
5 SIDEWALK EDGE



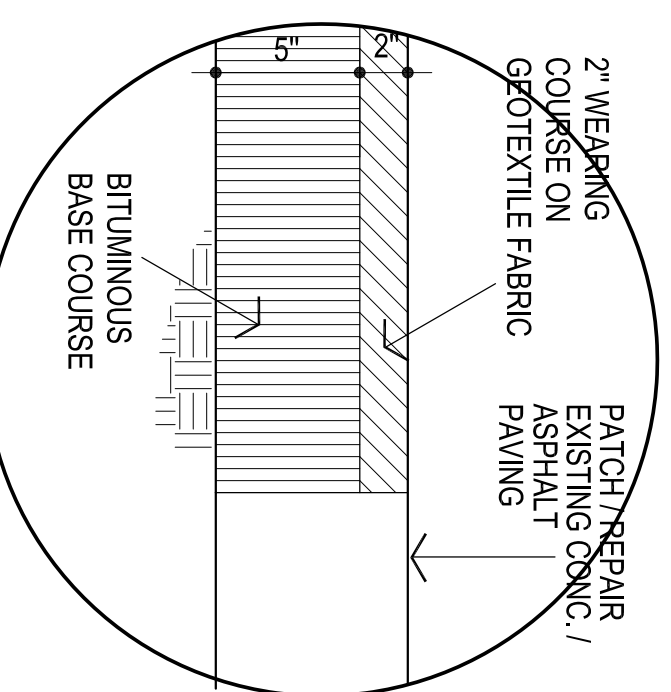
6 EXISTING / NEW CONCRETE SIDEWALK



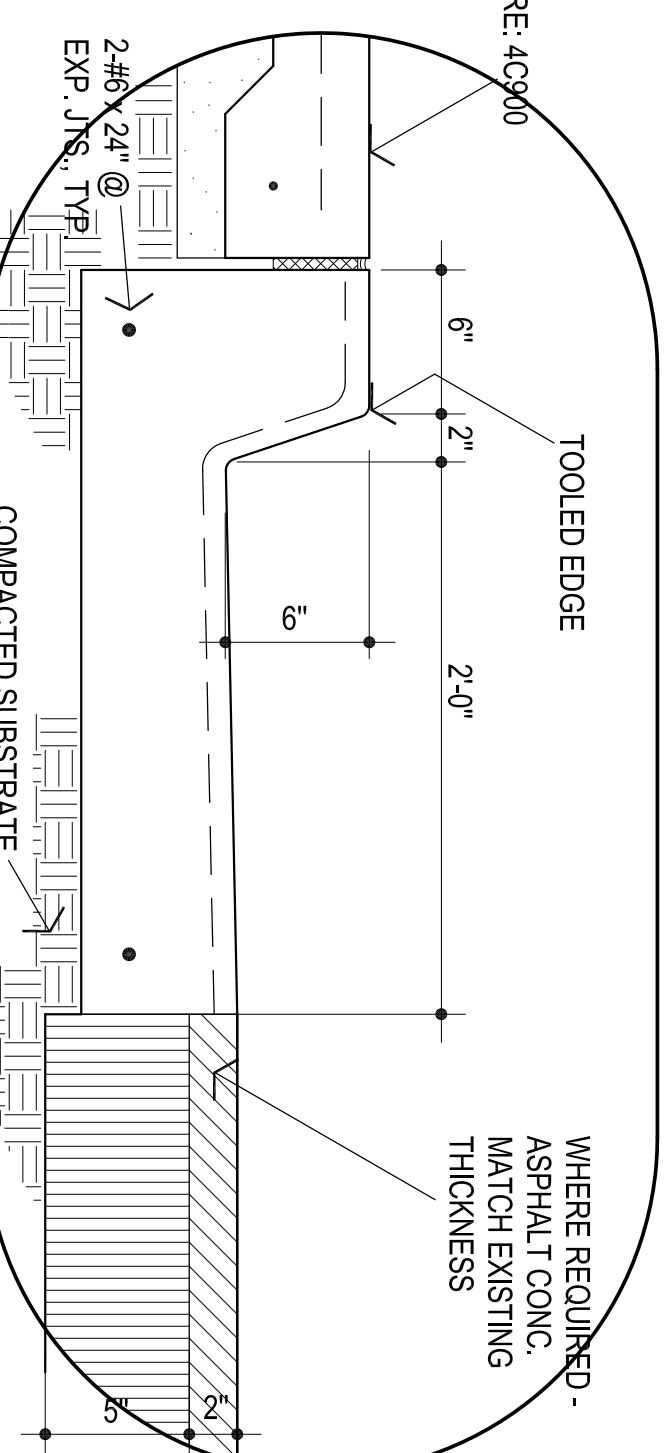
7 SIDEWALK / CONC. CURB



11 SECTION
3/4" = 3'-0"



8 PAVING EDGE
NOT TO SCALE



9 CONC. CURB / ASPHALT PAVING