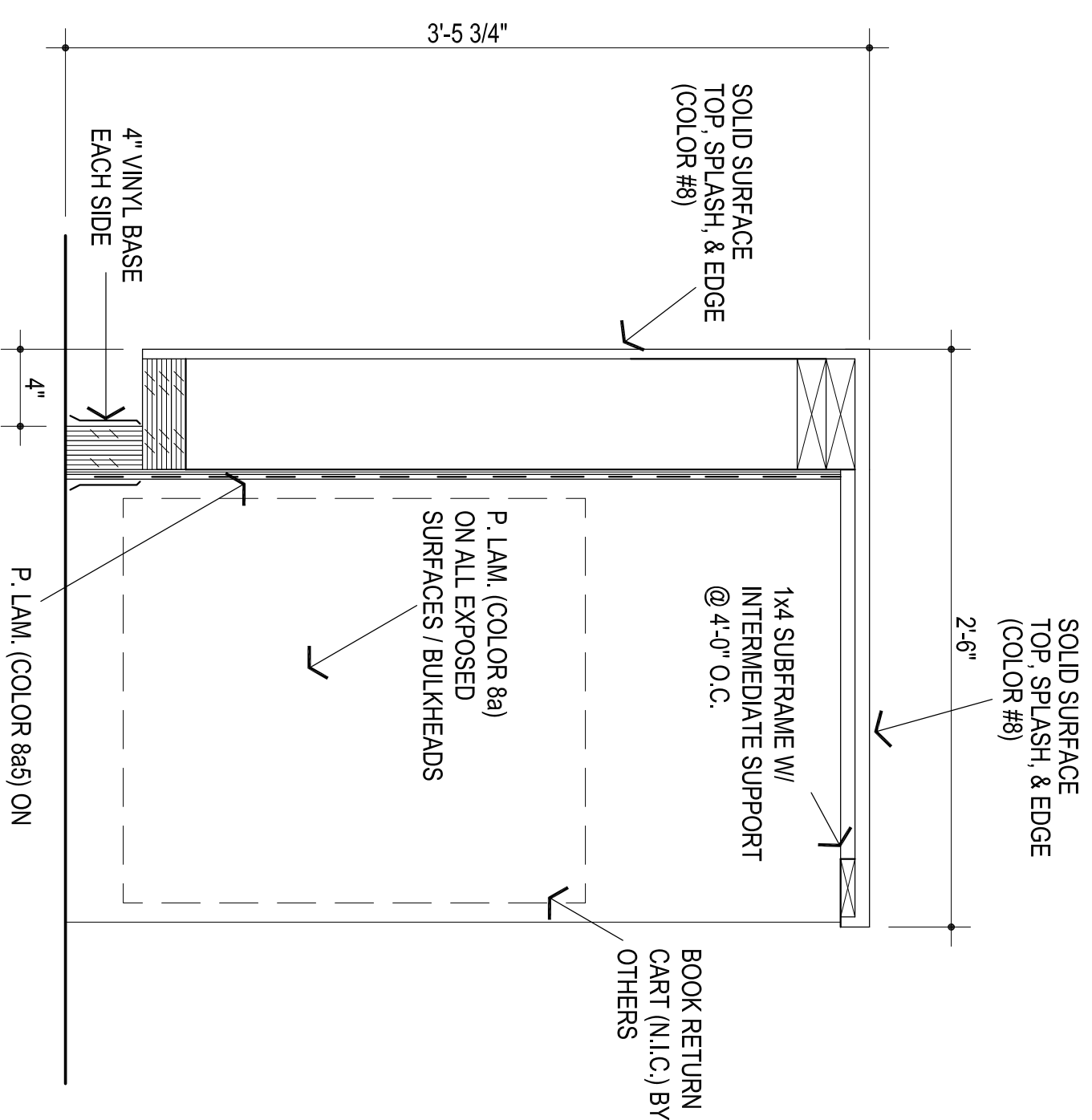
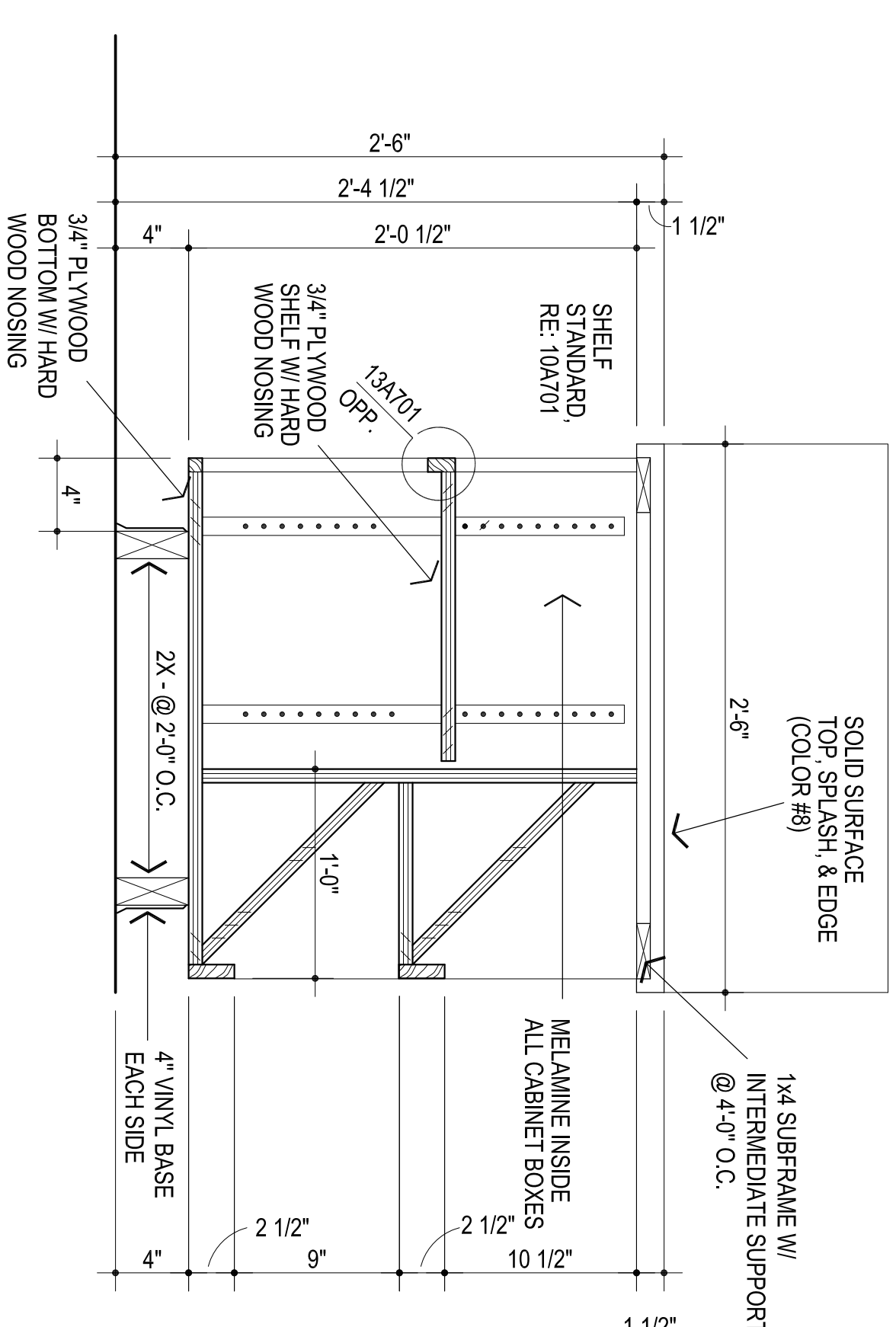


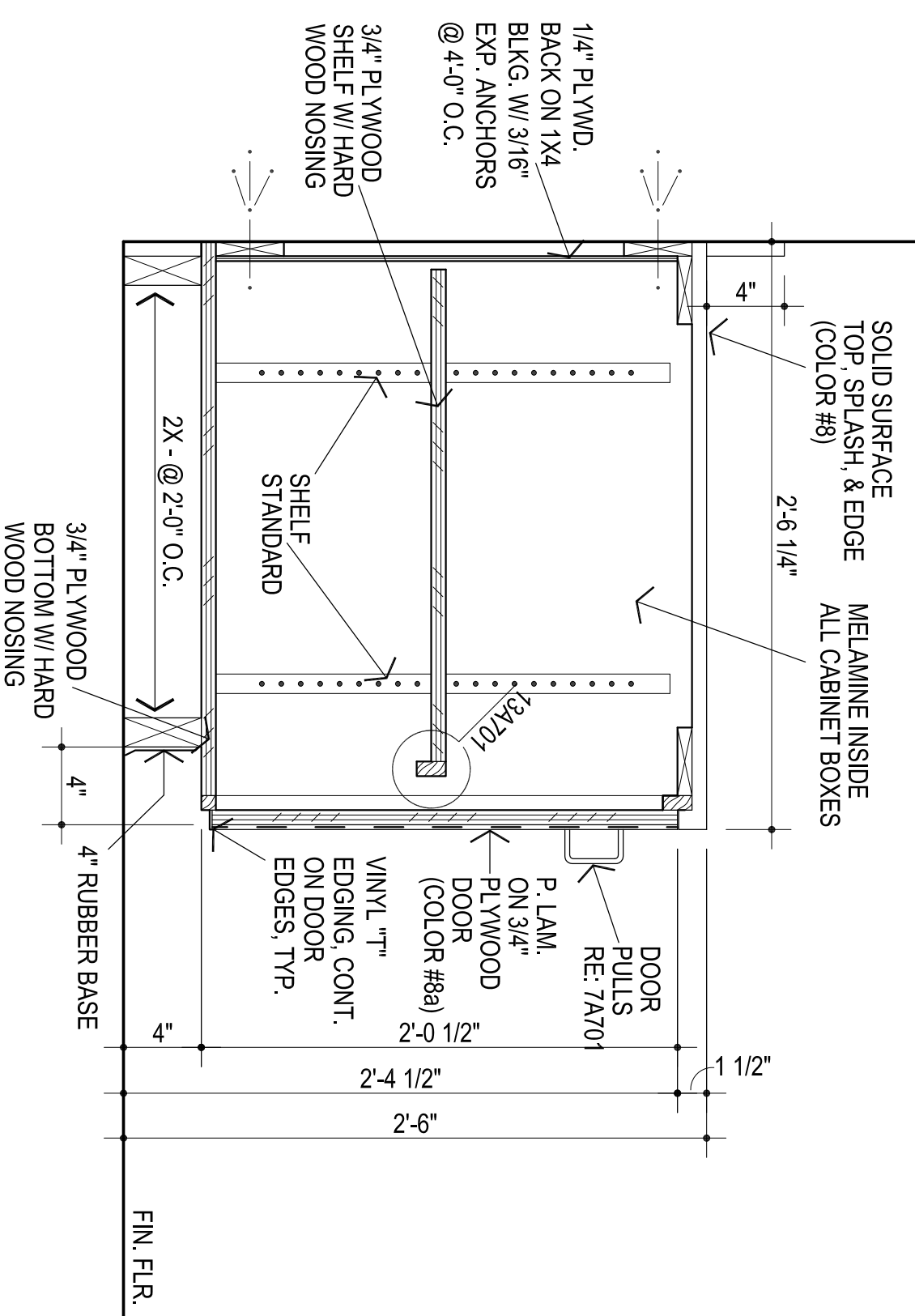
1 SECTION @ LIBRARY COUNTER KNEE SPACE
1 1/2" = 1'-0"



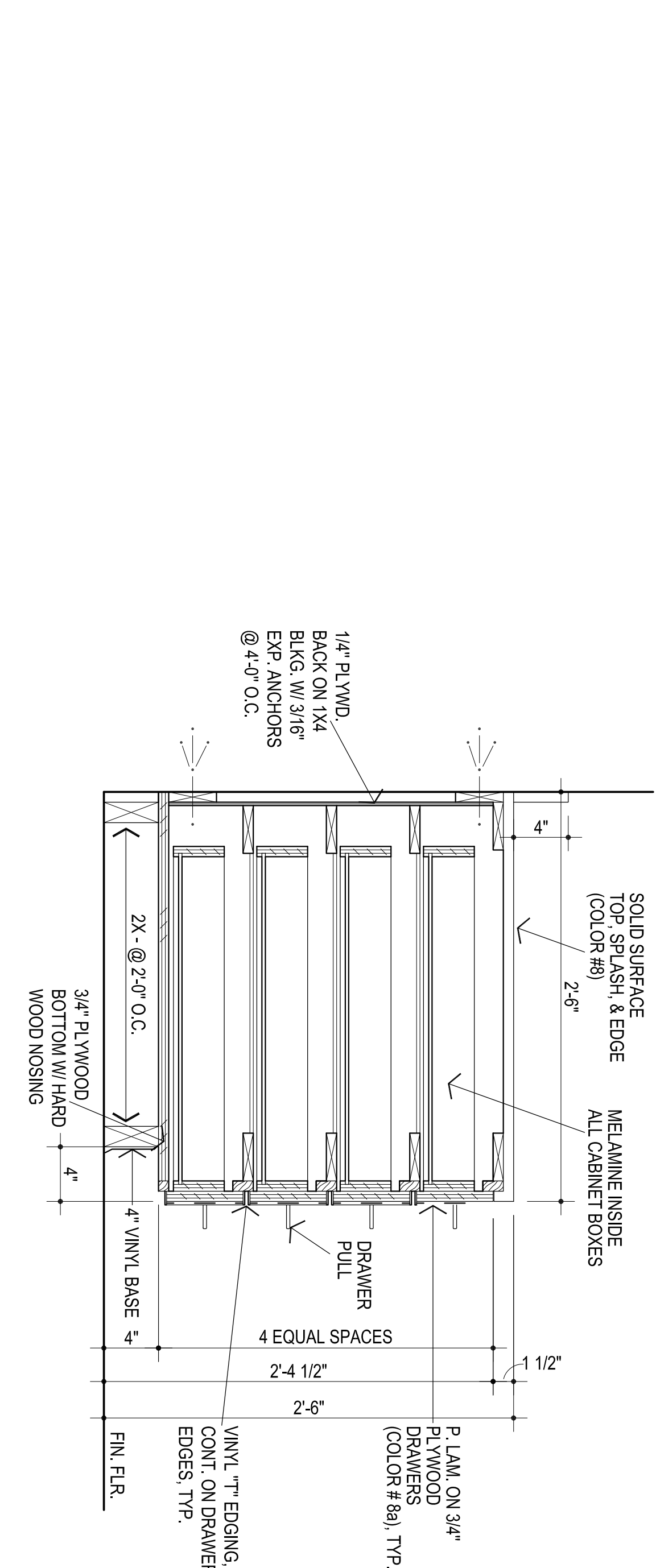
2 SECTION @ LIBRARY COUNTER
1 1/2" = 1'-0"



3 SECTION @ LIBRARY COUNTER
1 1/2" = 1'-0"



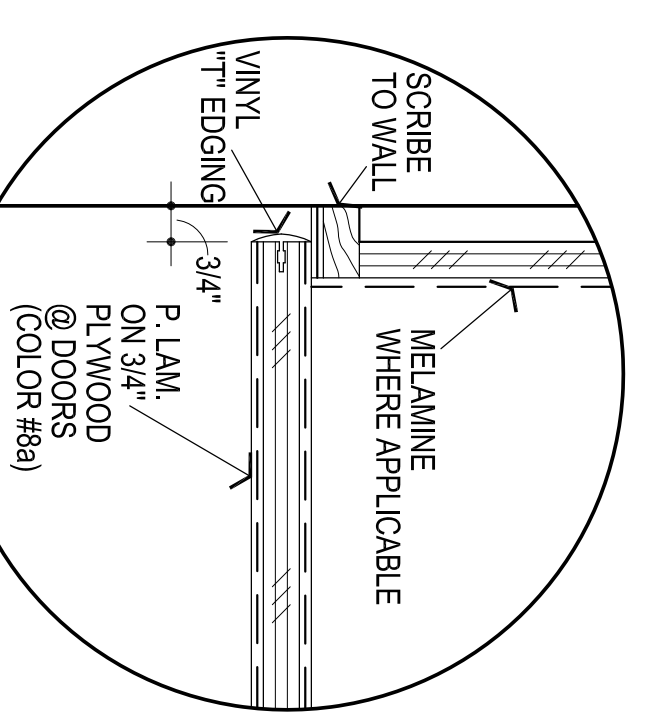
4 BASE CABINET
1 1/2" = 1'-0"



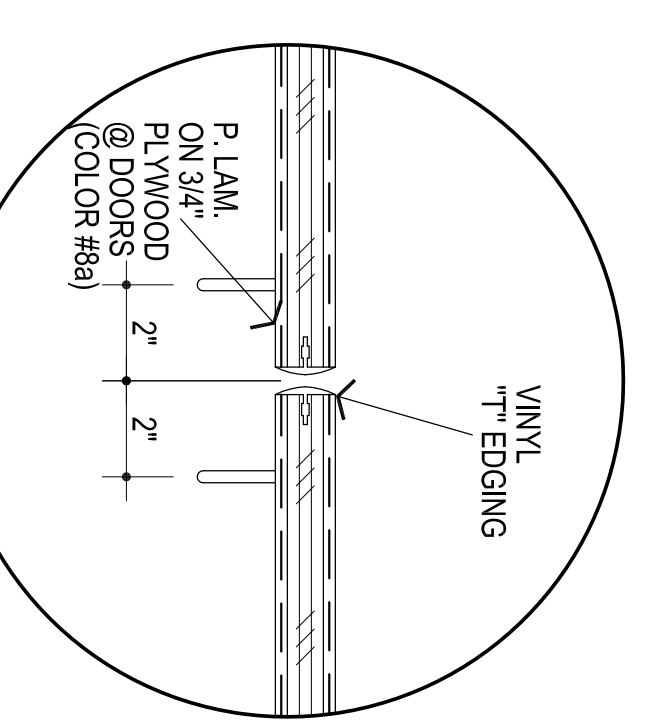
5 NUMBER NOT USED

6 BASE CABINET W/DRAWERS
1 1/2" = 1'-0"

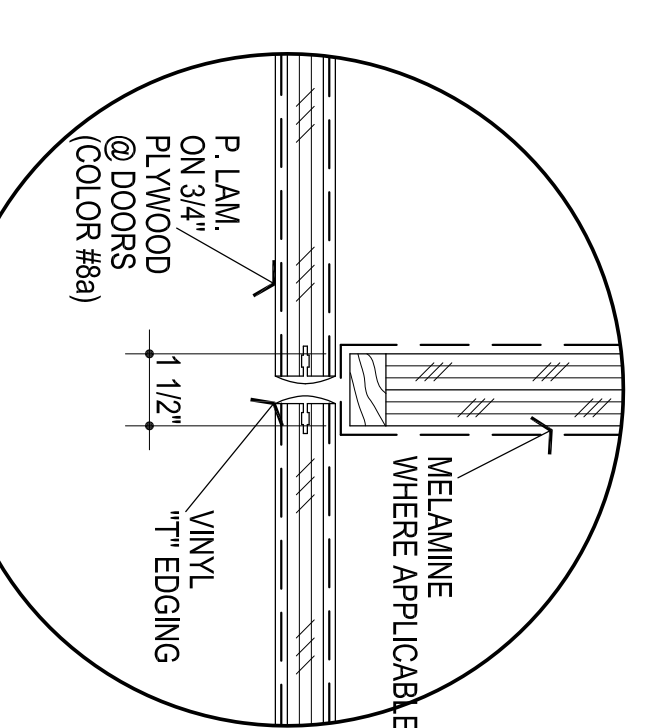
FRAMELESS CABINET / EUROPEAN
CONSTRUCTION IS ACCEPTABLE -
PROVIDE PARTICLE BOARD IN LIEU
OF PLYWOOD



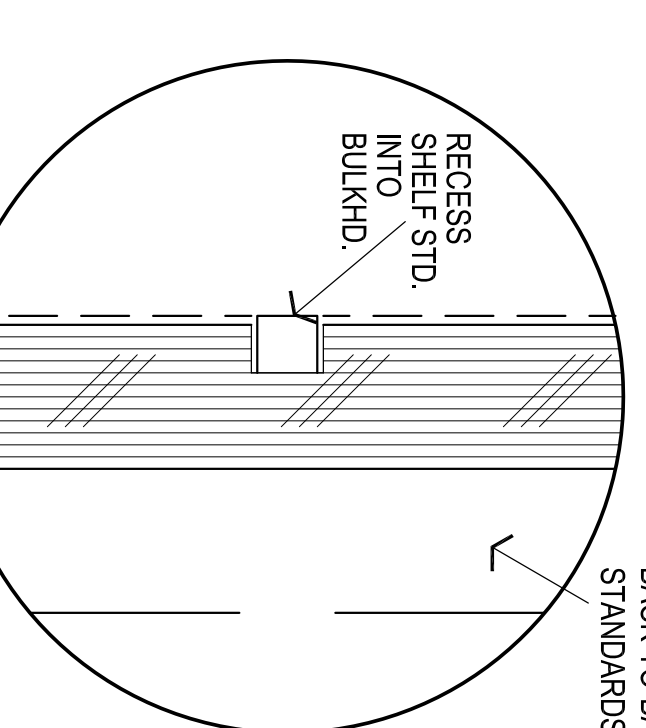
7 DOOR @ WALL



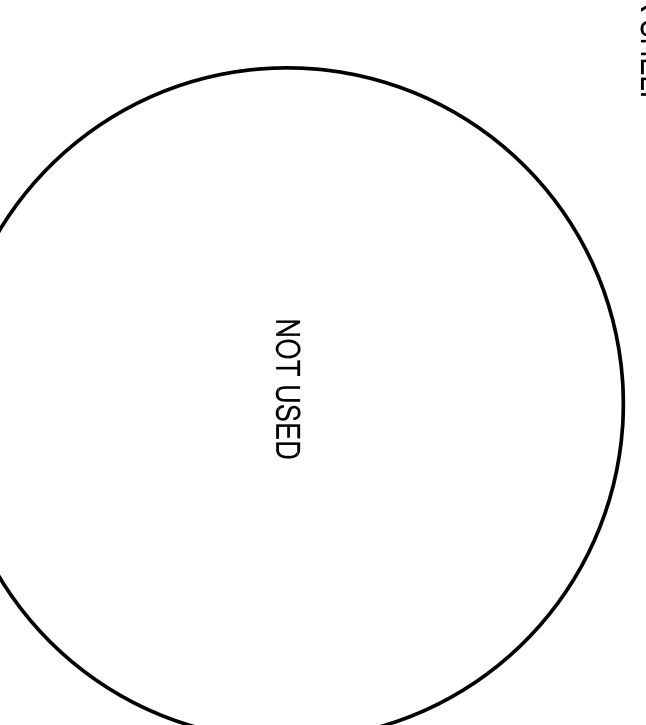
8 PULLS



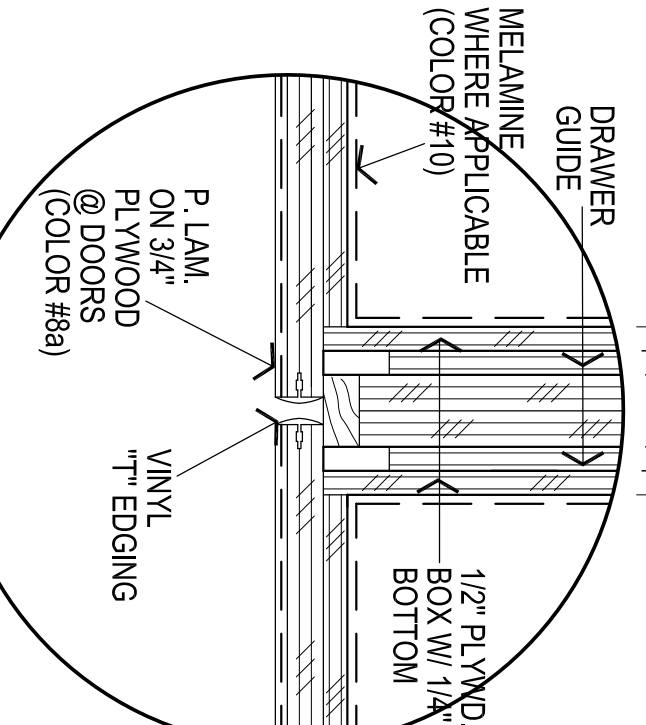
9 DOORS @ STILE



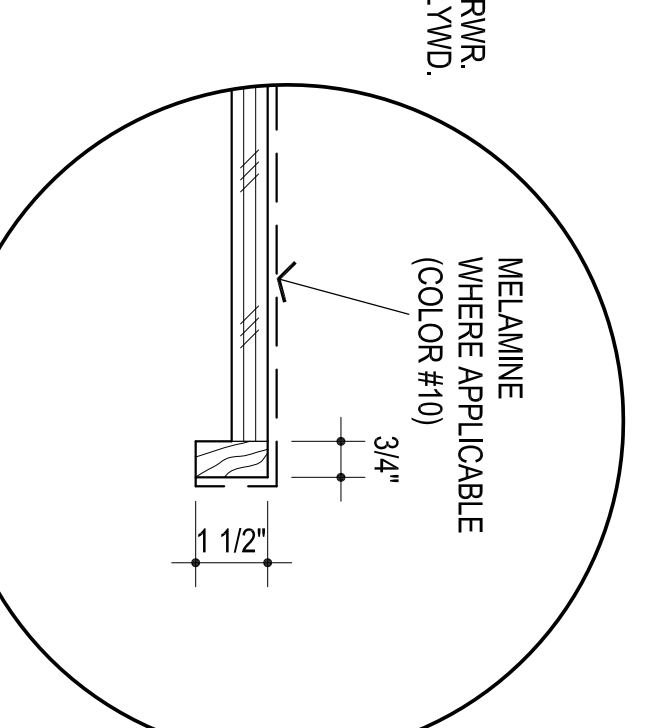
10 RECESSED STANDARDS



11 NOT USED



12 DRWR. TO DRWR.



13 SHELF EDGE