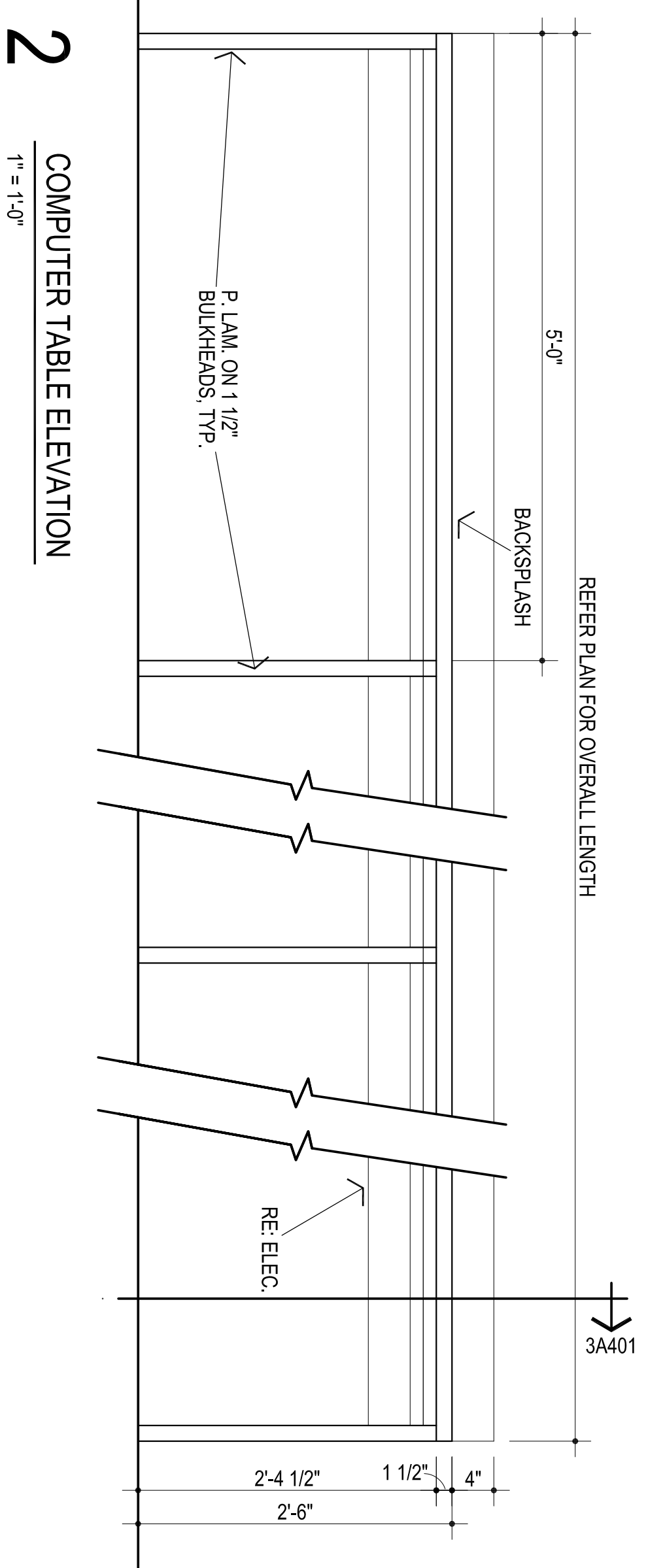
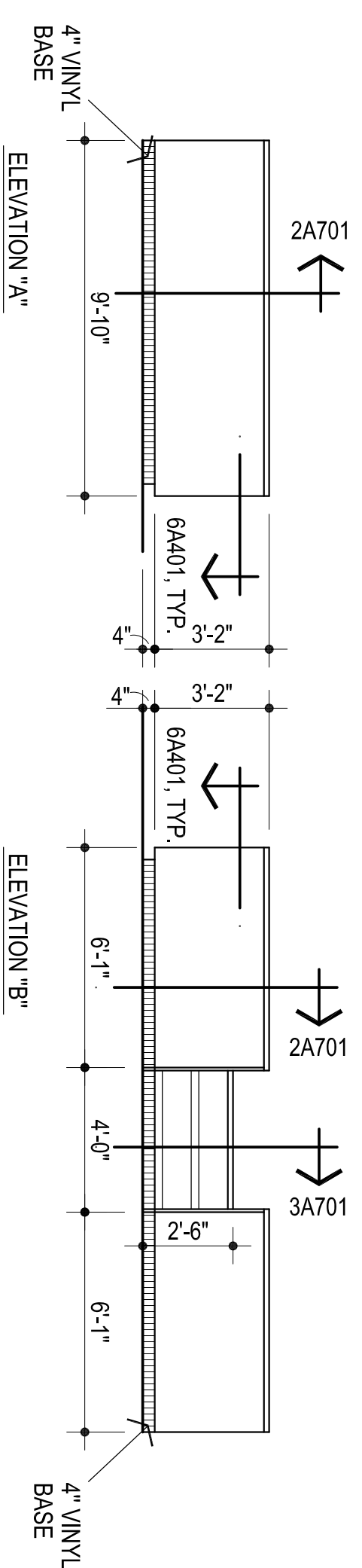
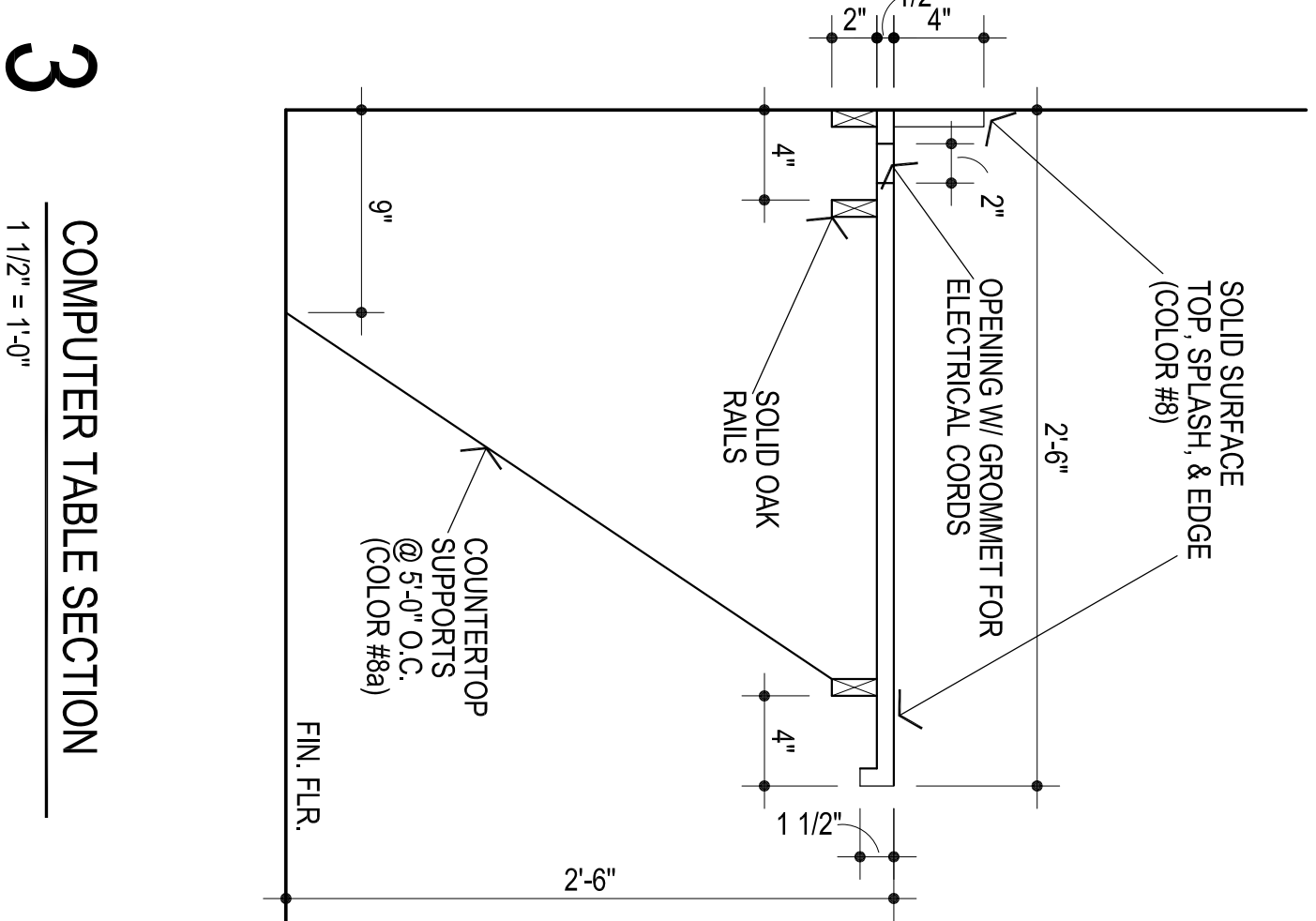
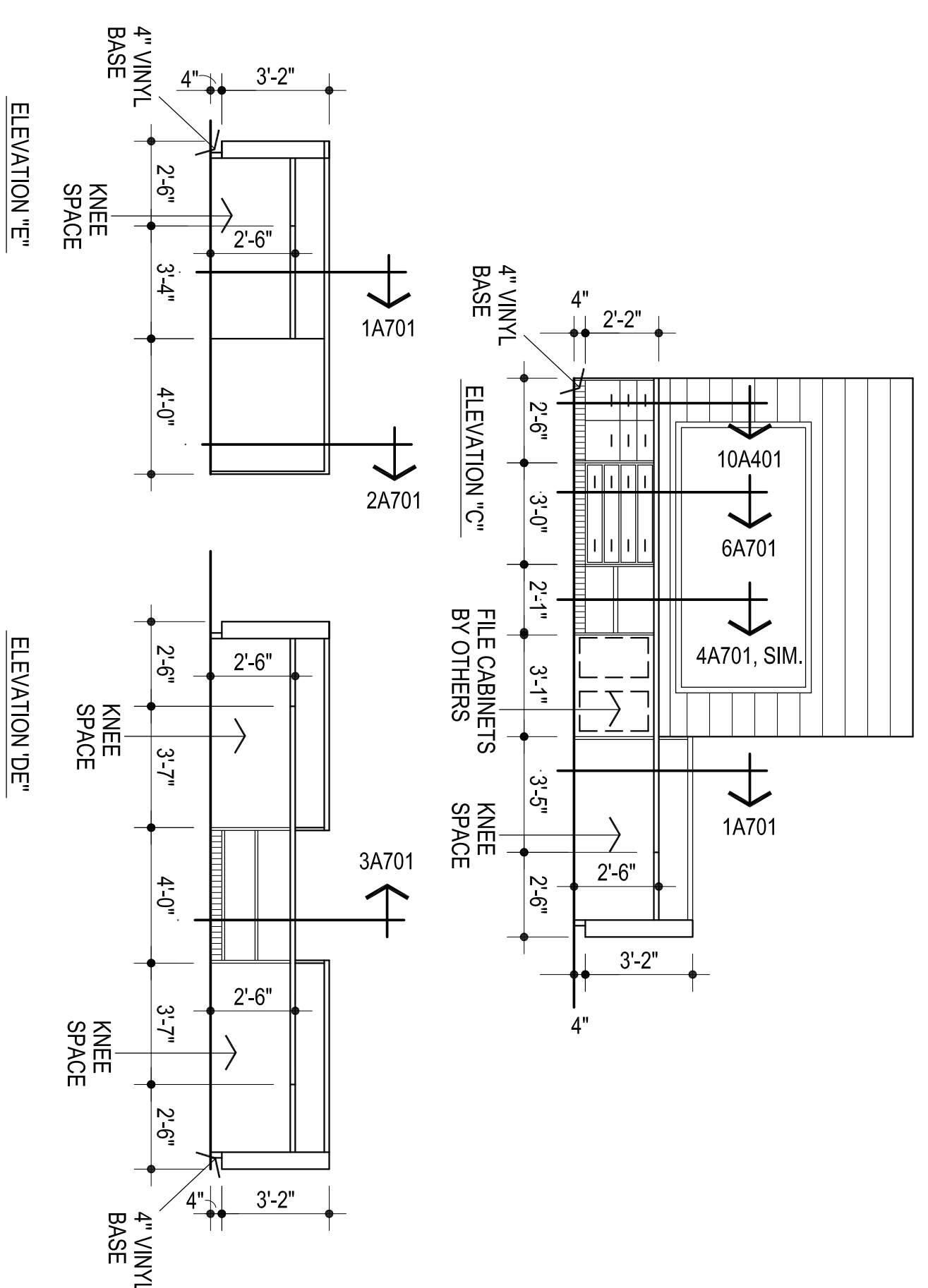


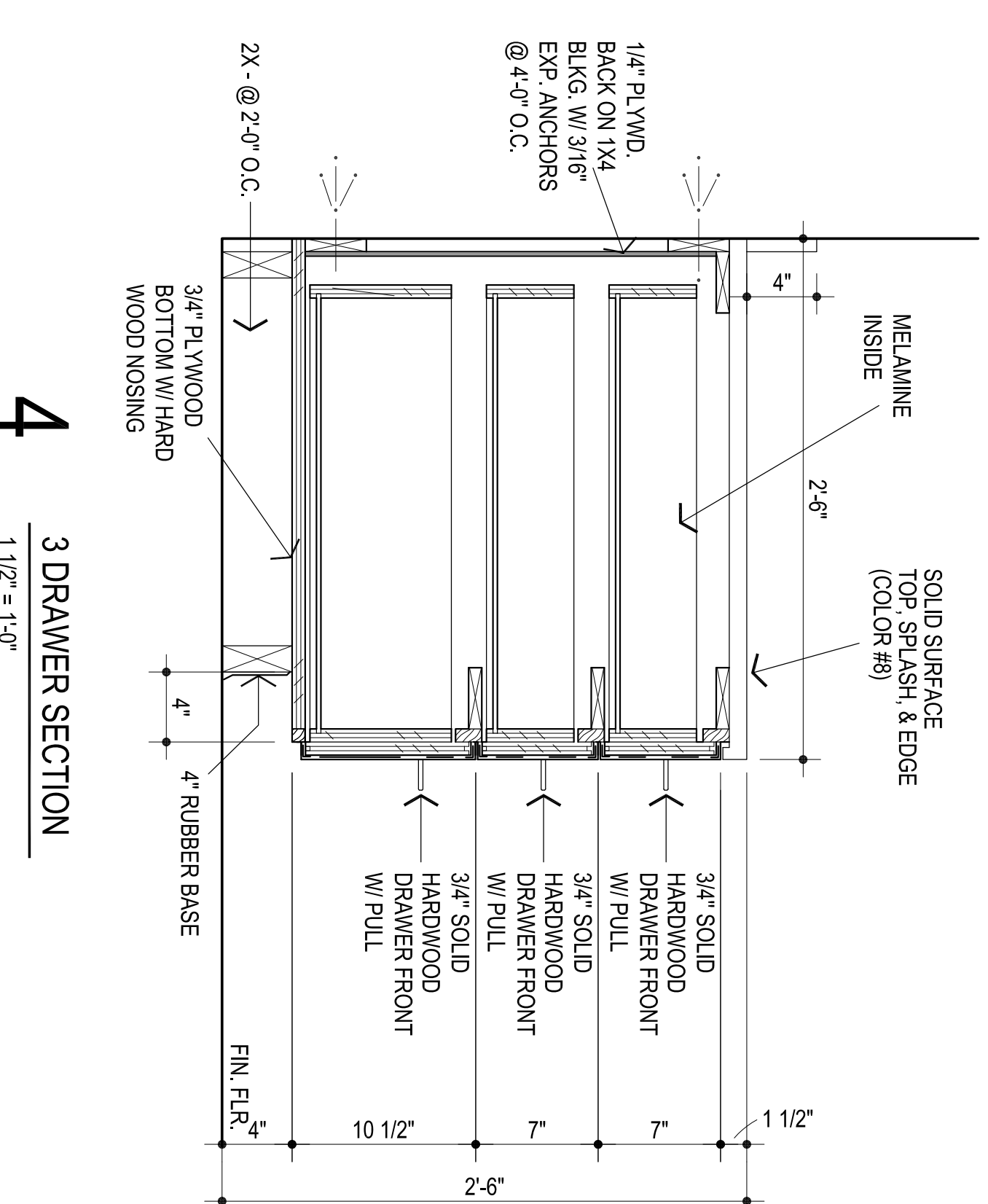
NOTE: CONTRACTOR TO VERIFY THAT THE MOUNTING HEIGHTS OF ALL WALL MOUNTED FIXTURES (I.E. PLUMBING FIXTURES, GRAB BARS, MIRRORS, ETC.) MEET ALL APPLICABLE CODES & STANDARDS PRIOR TO INSTALLATION.



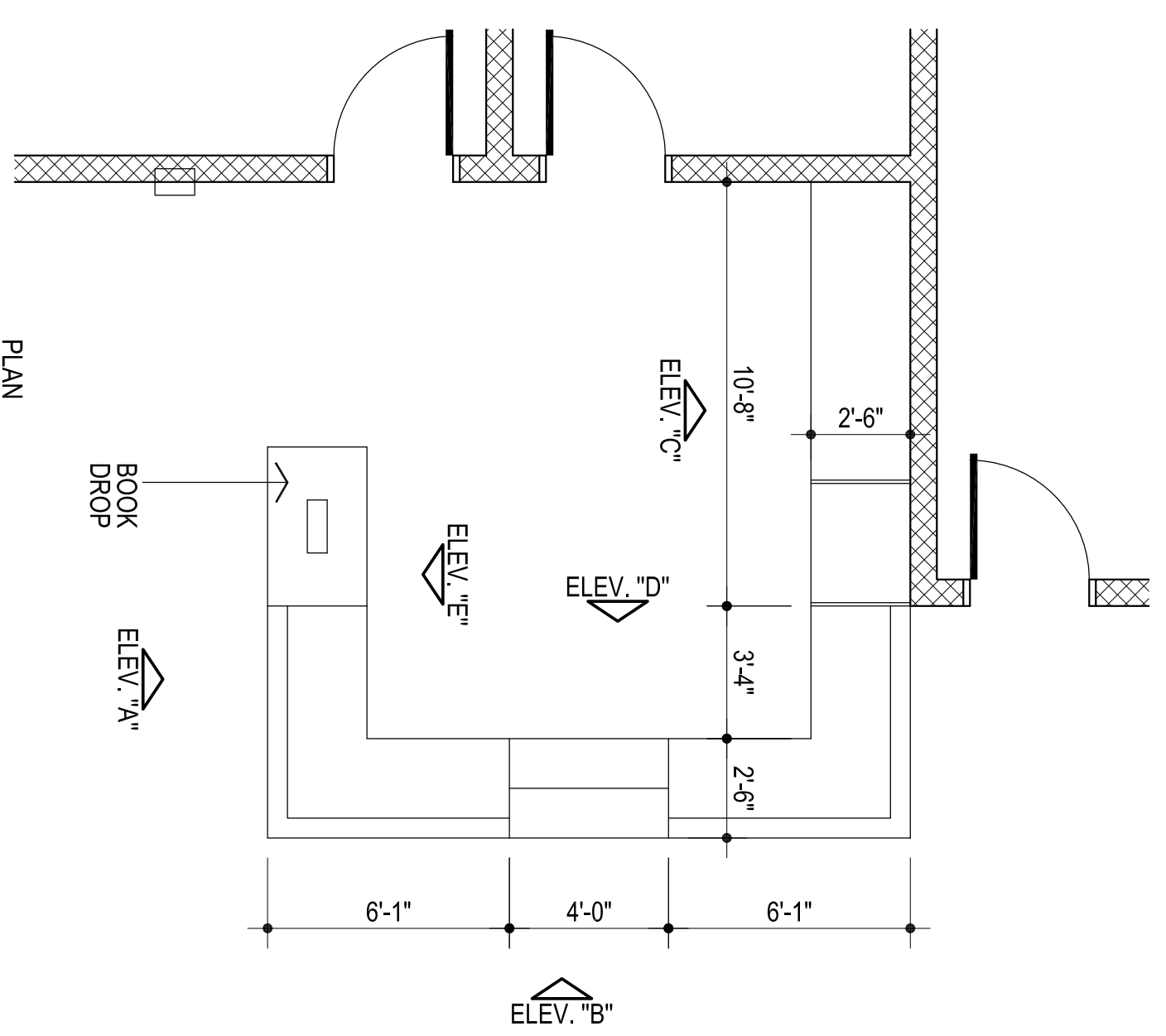
2 COMPUTER TABLE ELEVATION
1" = 1'-0"



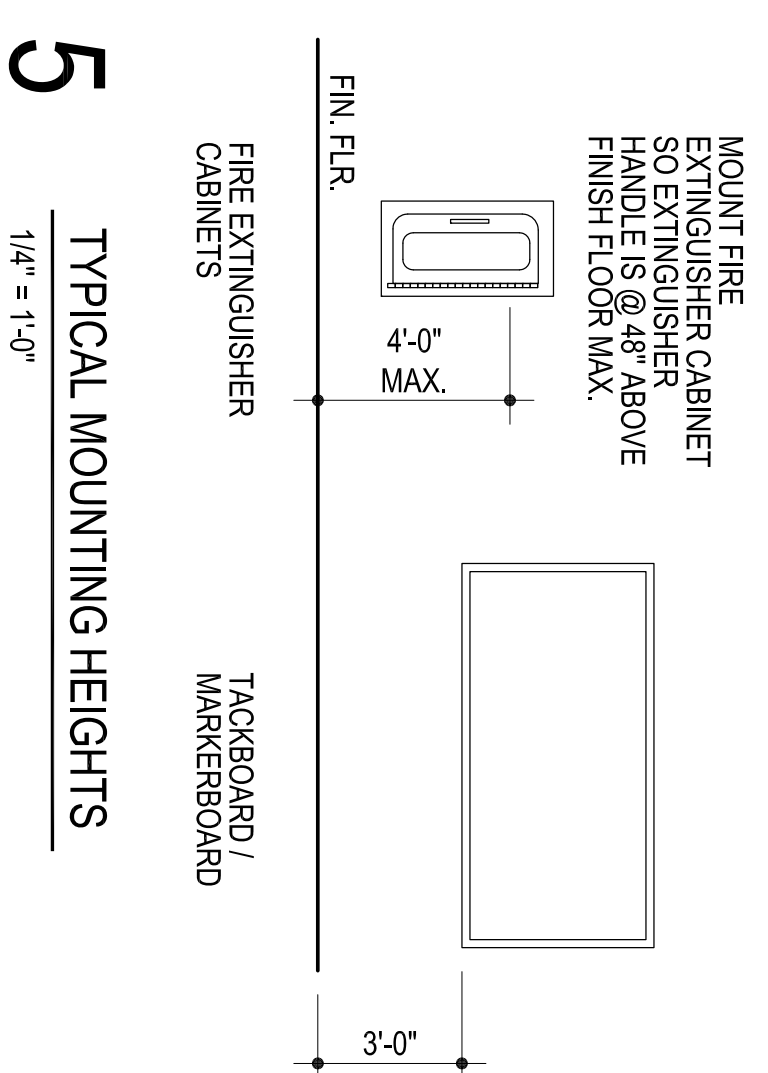
3 COMPUTER TABLE SECTION
1 1/2" = 1'-0"



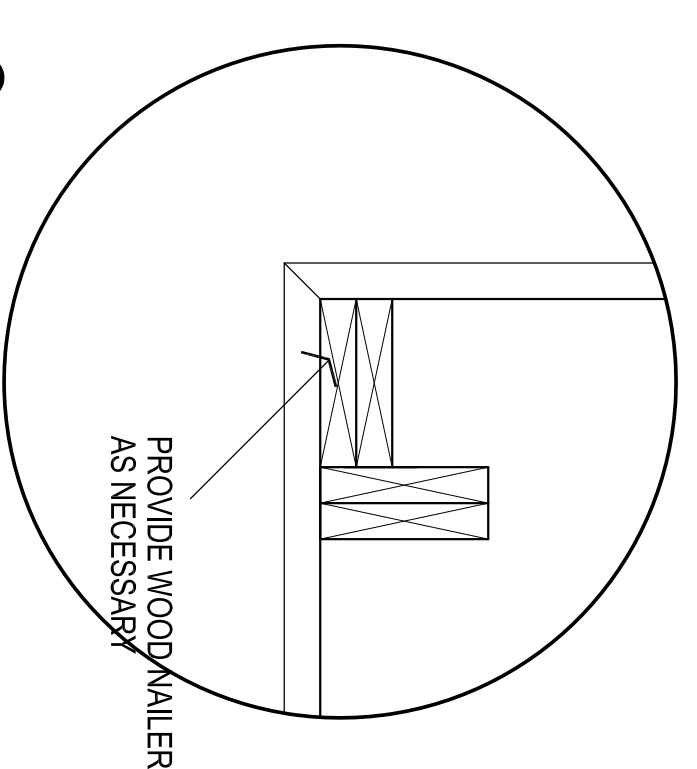
4 3 DRAWER SECTION
1 1/2" = 1'-0"



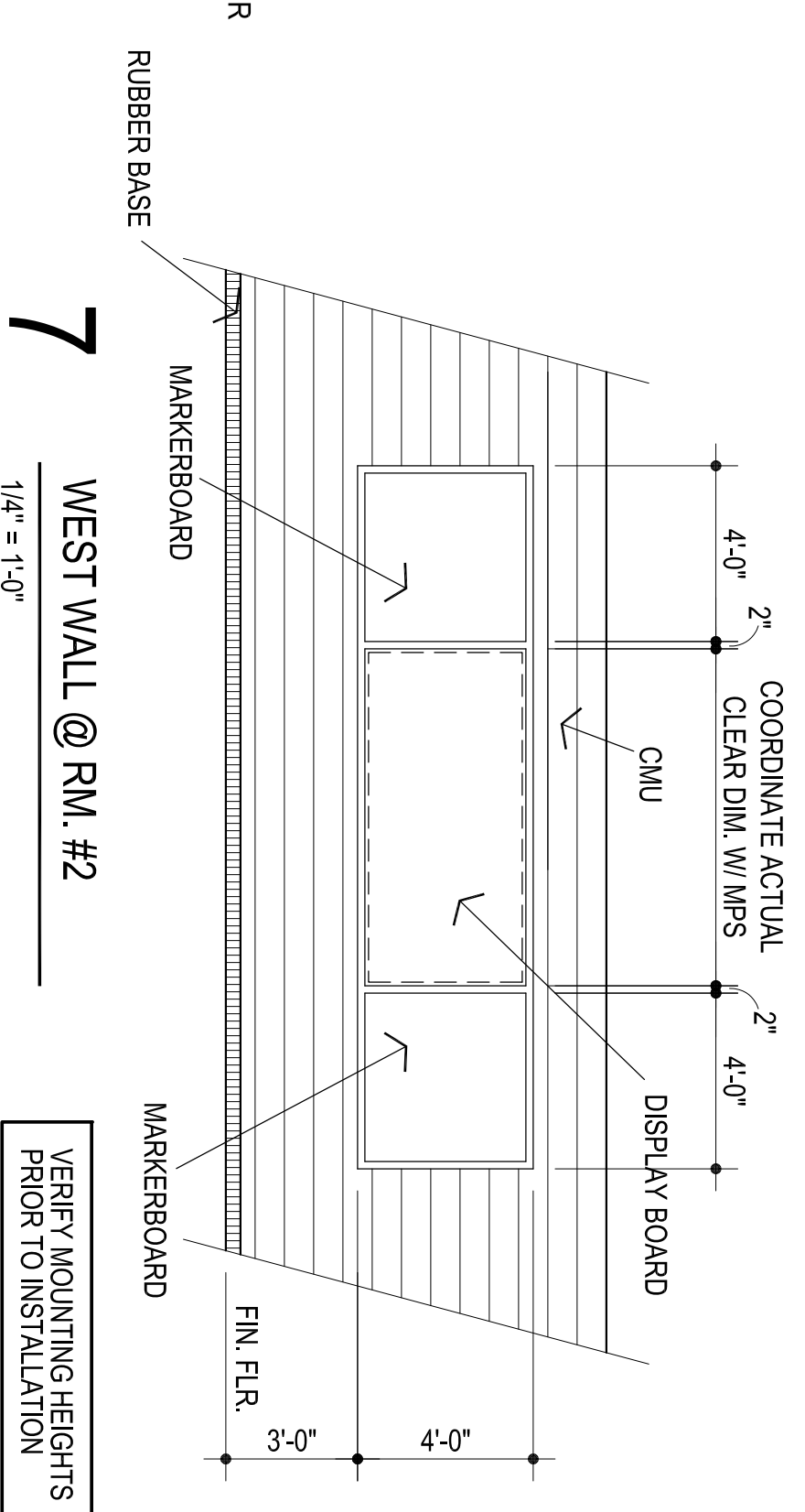
1 LIBRARY COUNTER ROOM #2
1/4" = 1'-0"



5 TYPICAL MOUNTING HEIGHTS
1/4" = 1'-0"



6



7 WEST WALL @ RM. #2
1/4" = 1'-0"