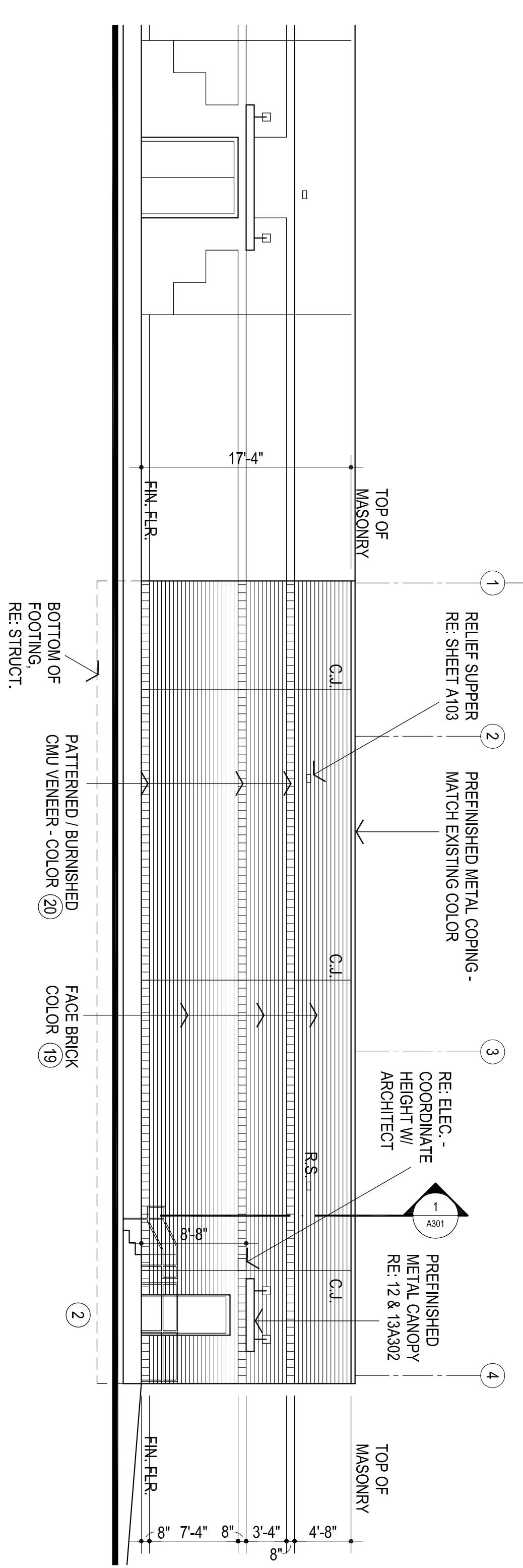
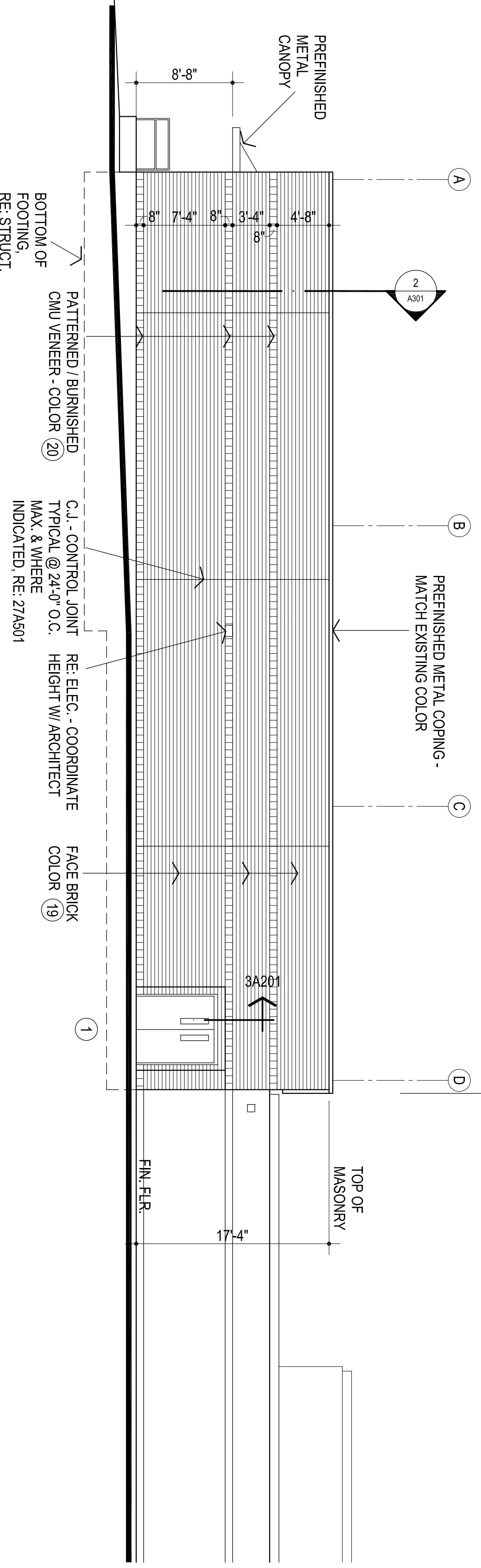


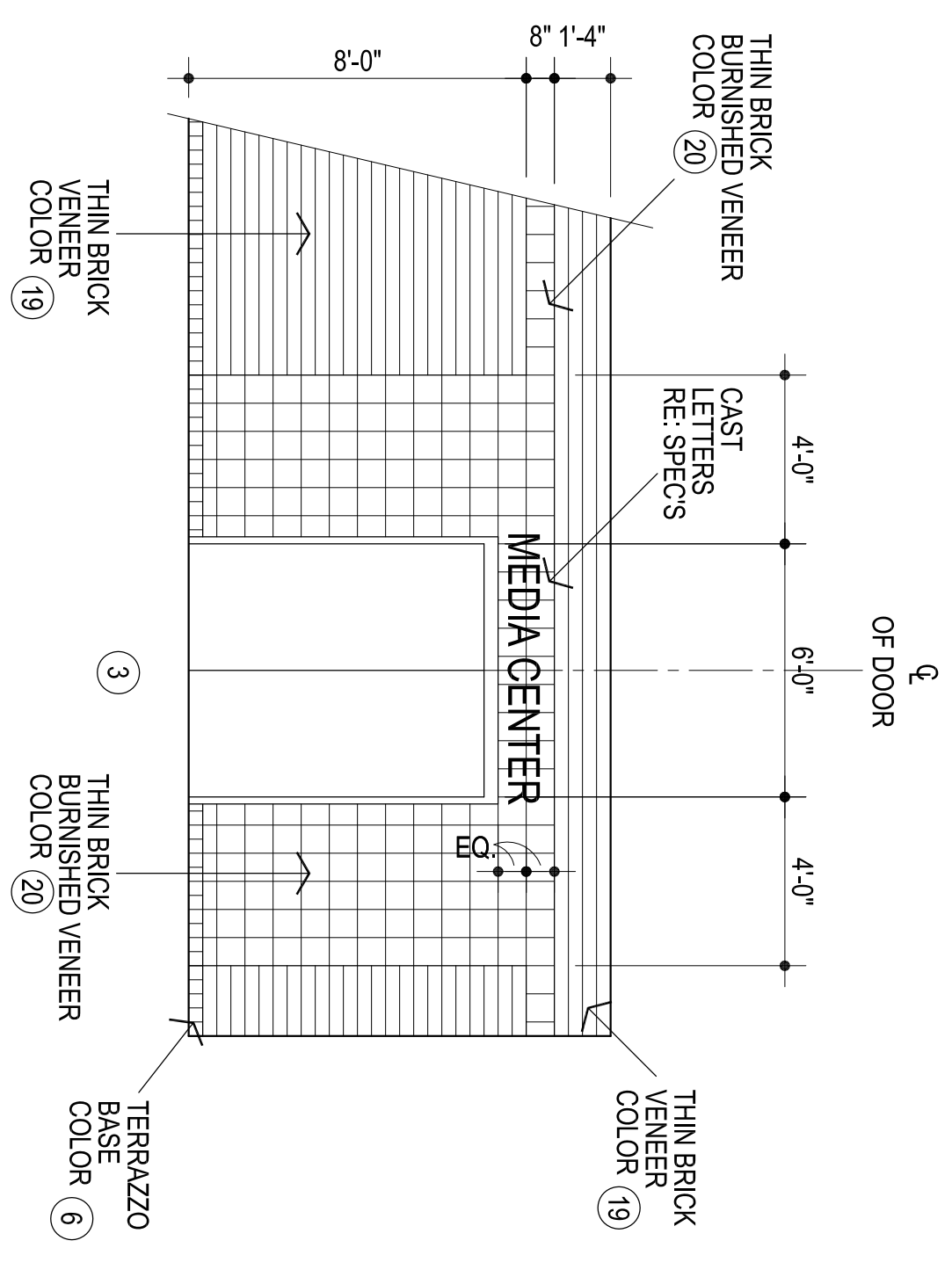
← EXISTING BUILDING NEW BUILDING →



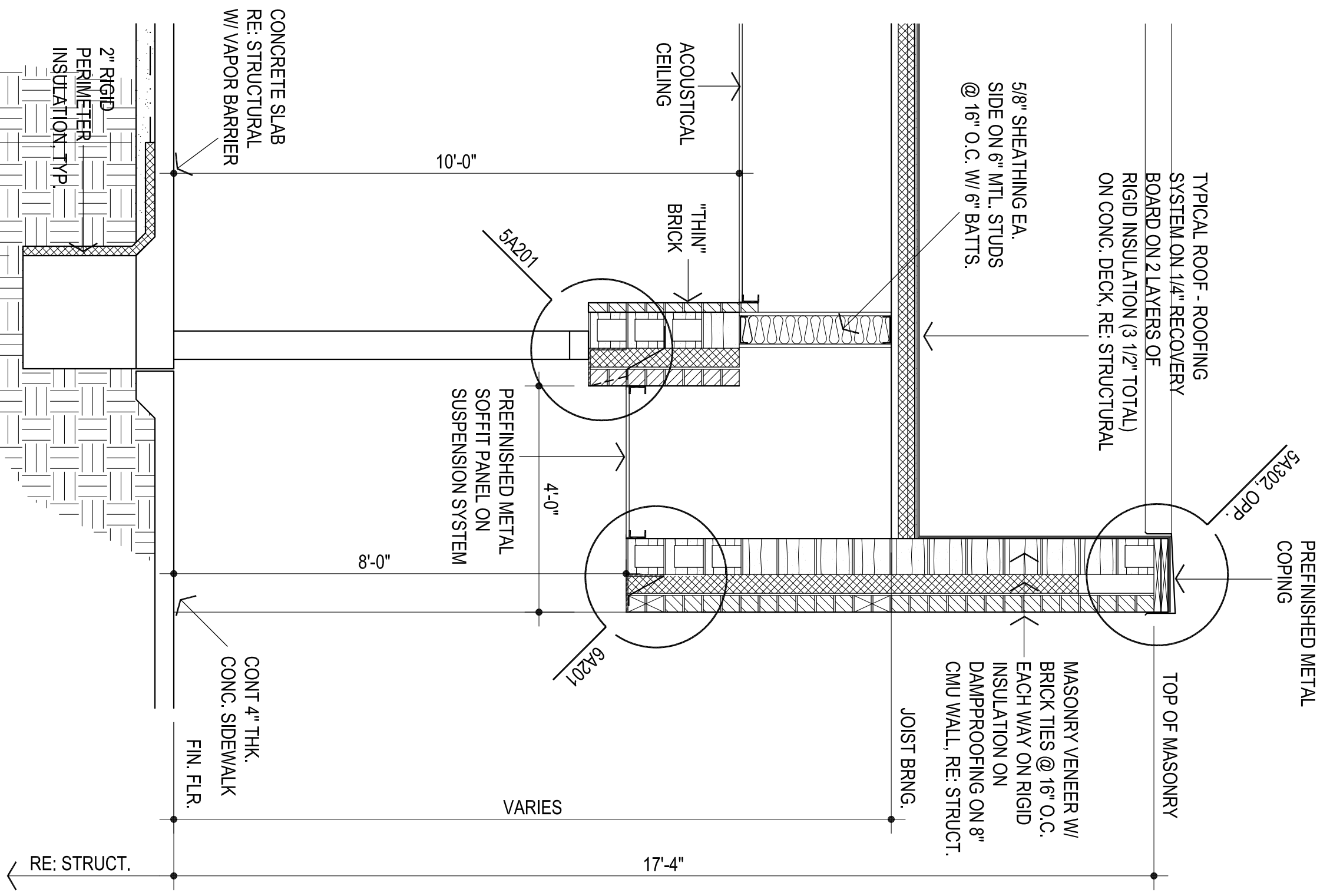
1
SOUTH ELEVATION
1/8" = 1'-0"



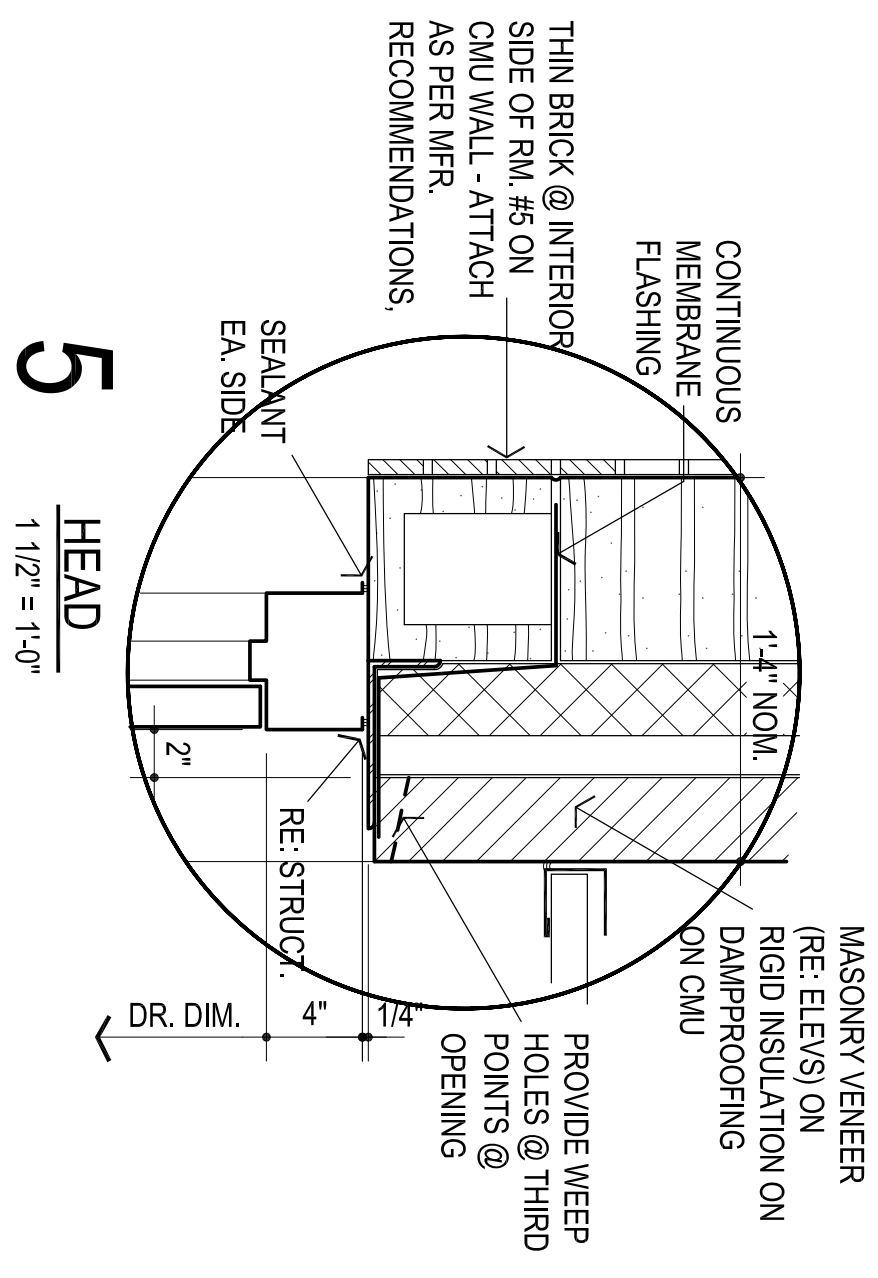
2
EAST ELEVATION
1/8" = 1'-0"



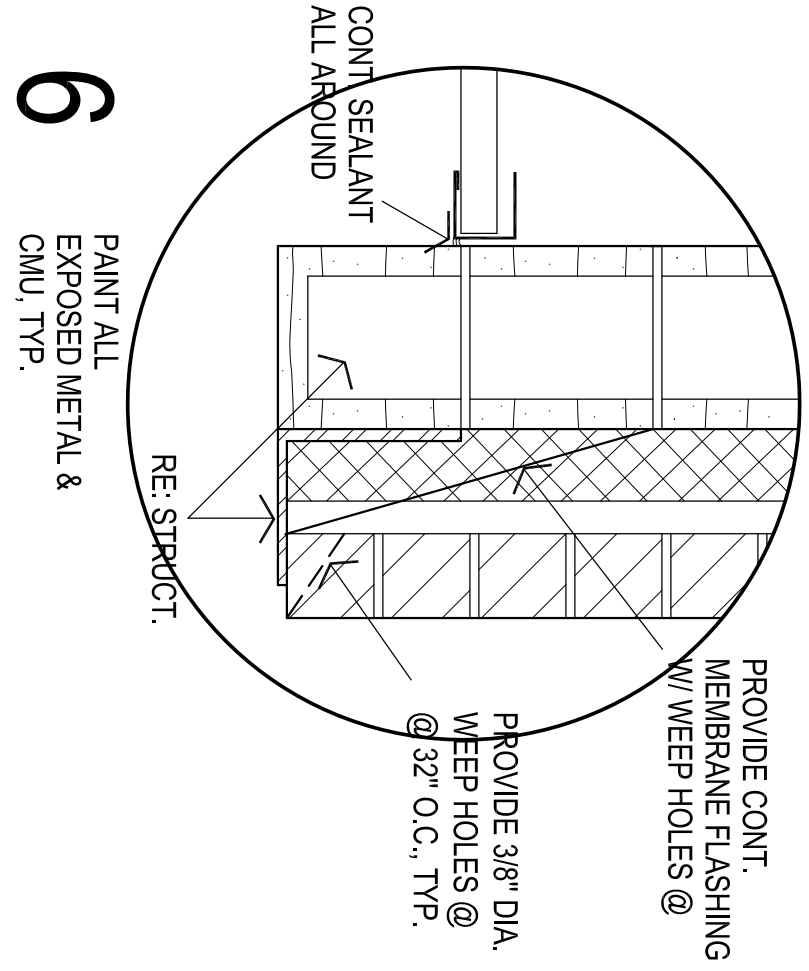
4
PARTIAL SOUTH WALL ROOM # 1
1/4" = 1'-0"



3
WALL SECTION
1/2" = 1'-0"



5
HEAD
1-1/2" = 1'-0"



6



the Abila Griffin Partnership L.L.C.

313 S. E. 5th Street
MOORE, OK. 73160
405.735.3477
ACP@theACP.net
www.theACP.net

KFC ENGINEERING
STRUCTURAL
SALAS O'BRIEN
MECHANICAL / ELECTRICAL



CS	Drawn by	
MA	Checked by	
	Date	JULY 2024
revisions		



MOORE PUBLIC SCHOOLS

EARL WYNE
ELEMENTARY SCHOOL
MEDIA CENTER

Sheet No.
A201

OWNERSHIP USE OF DOCUMENTS:
ACP EXPRESSLY RESERVES ITS COPYRIGHT AND OTHER PROPERTY RIGHTS OF ALL PLANS AND DRAWINGS DESIGNED AND/OR PRODUCED. PLANS AND DRAWINGS ARE NOT TO BE REPRODUCED, COPIED, OR TRANSMITTED IN ANY MANNER WITHOUT THE EXPRESSED WRITTEN CONSENT OF ACP.