

CG	
Drawn By	
MA	
Checked By	
DATE	JULY 2024
Revisions	



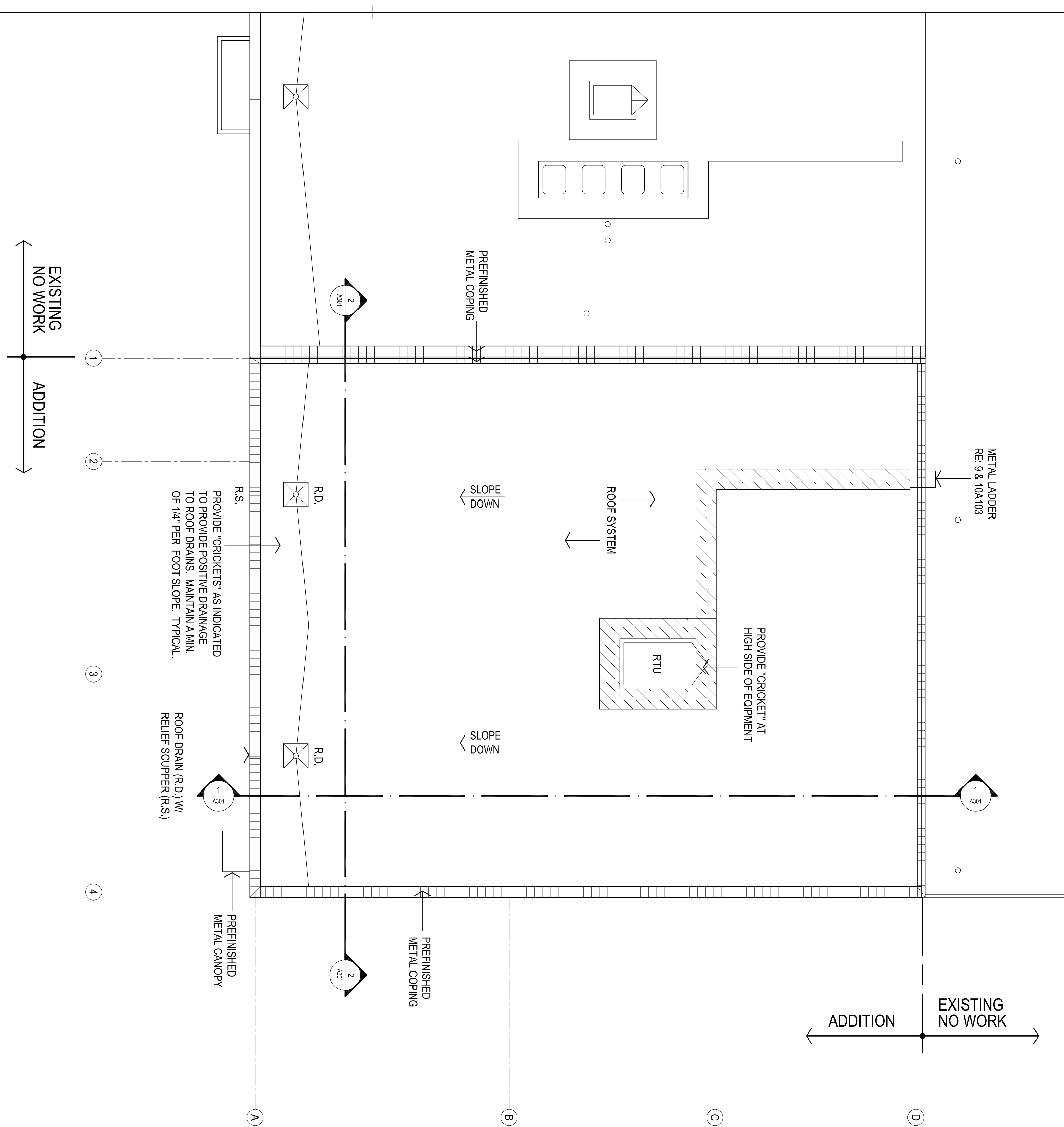
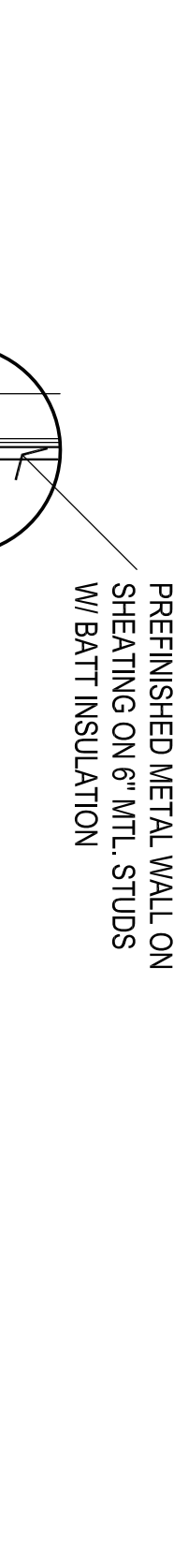
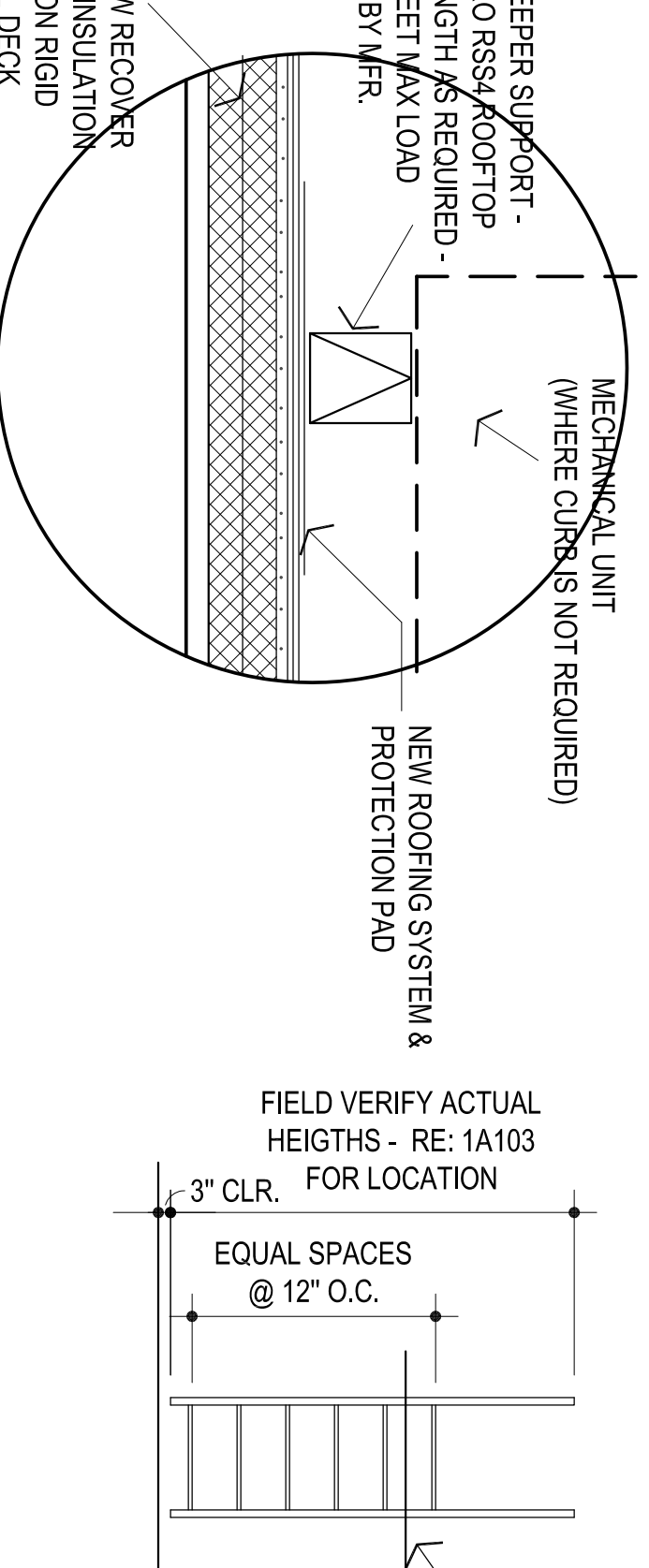
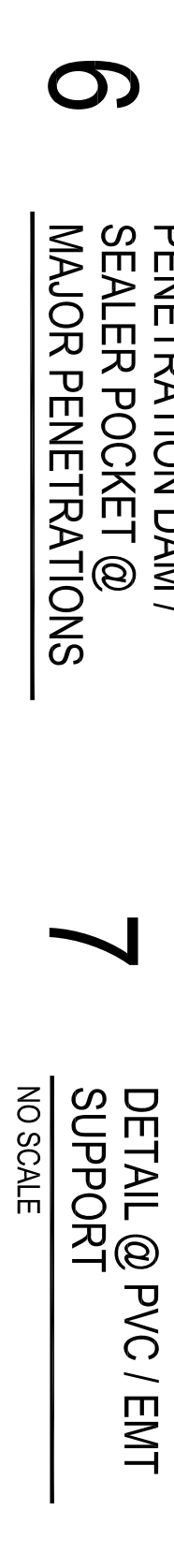
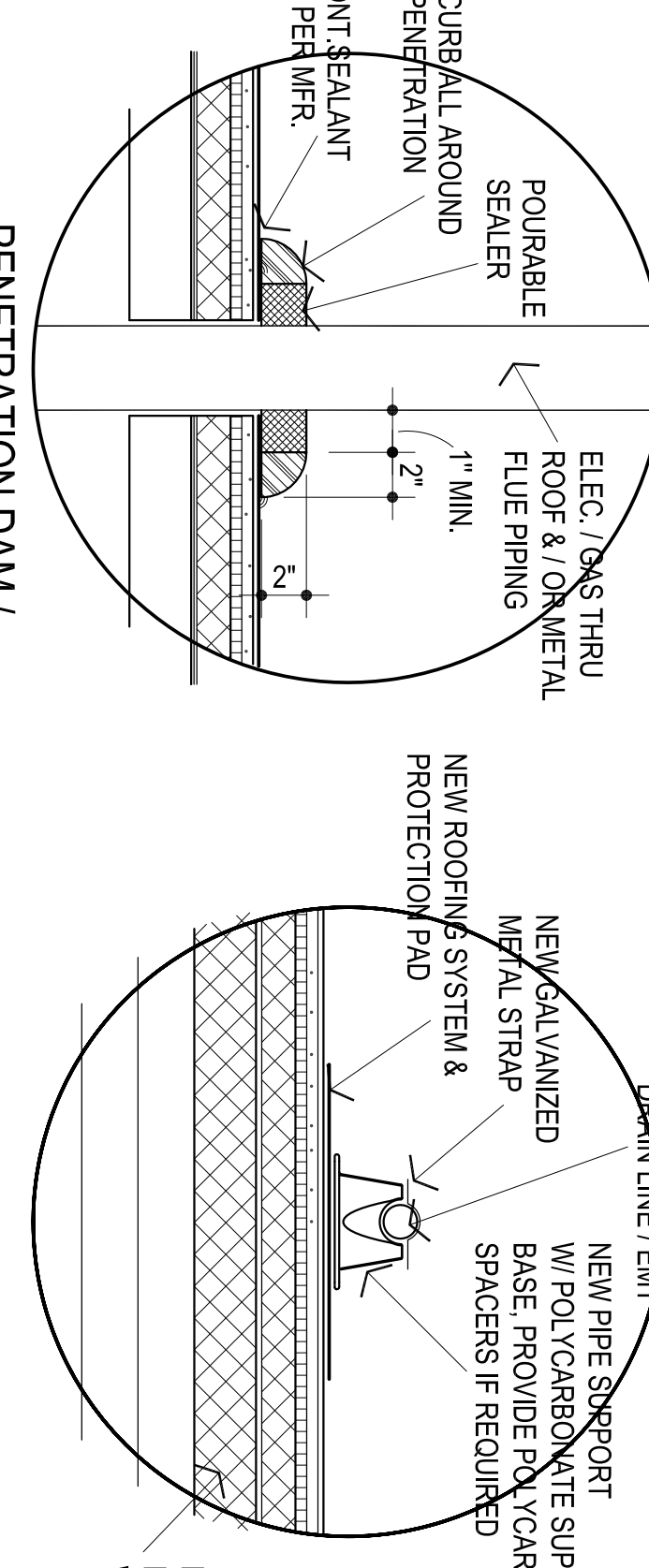
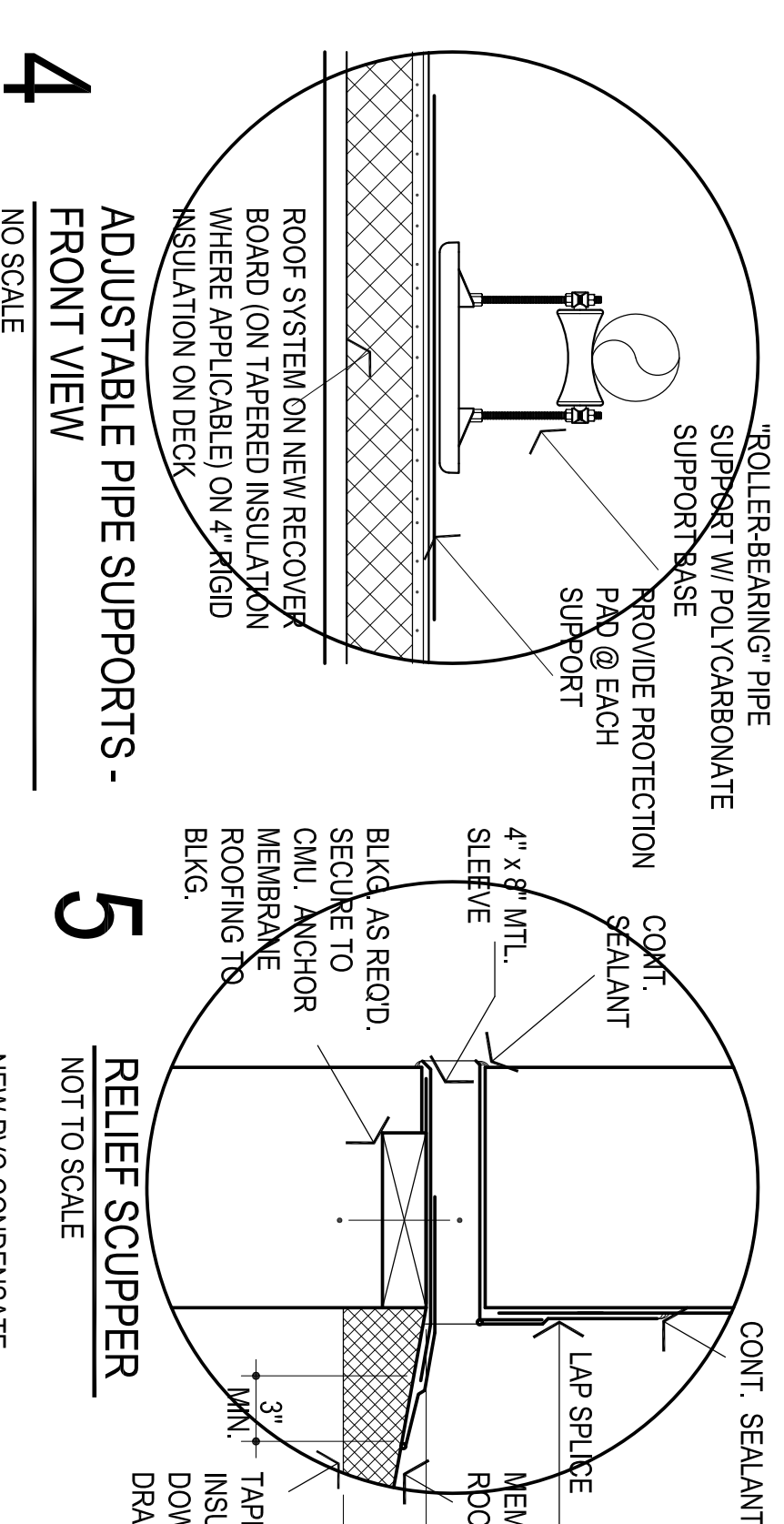
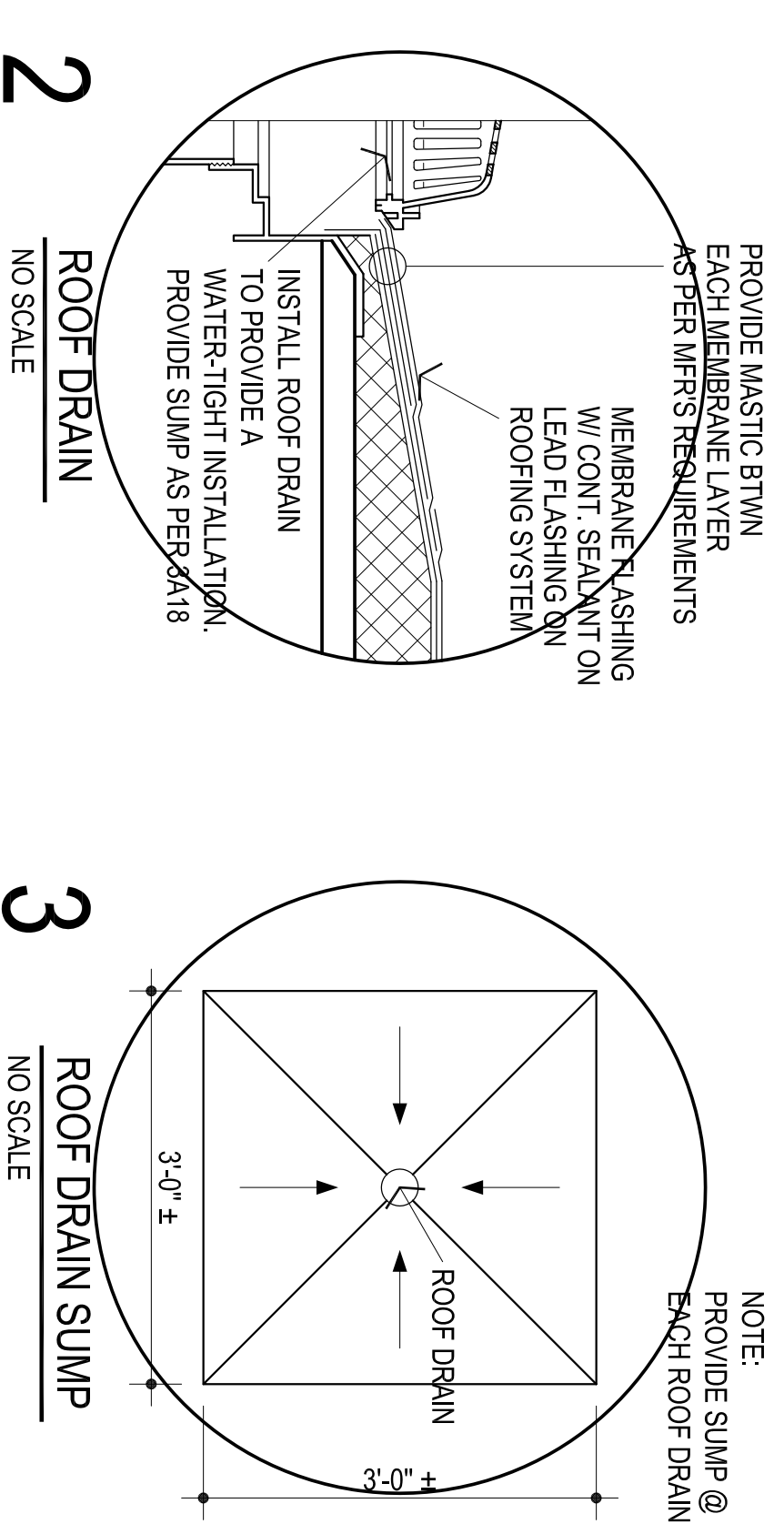
MOORE
PUBLIC SCHOOLS

EARL WINE
ELEMENTARY SCHOOL
MEDIA CENTER

Sheet No.:

A103

OWNERSHIP USE OF DOCUMENTS:
AGP EXPRESSLY RESERVES ITS
COPYRIGHT AND OTHER PROPERTY
RIGHTS OF ALL PLANS AND DRAWINGS
DESIGNED AND/OR PRODUCED. PLANS
AND DRAWINGS ARE NOT TO BE
REPRODUCED IN ANY FORM OR MANNER
WITHOUT THE EXPRESS WRITTEN
CONSENT OF AGP.



- NOTES:
- RE: MECH & ELEC. FOR ADDITIONAL ROOF MOUNTED ITEMS. CONTRACTOR TO COORDINATE ALL TRADES
 - CONTRACTOR TO COORDINATE ROOF VENT PENETRATIONS W/ ARCHITECT.
 - INDICATES NEW WALKWAY PAD LOCATIONS - CUT PADS INTO 5'-0\"/>

4. PROVIDE @ ALL ROOF PENETRATIONS - PENETRATION DAM / SEALER POCKETS AS PER A4104