



CG

drawn by

MA

checked by

APRIL 2025

date

revisions

- 1 ADDENDUM #2
- 2 CB-11



**MOORE**  
PUBLIC SCHOOLS

MOORE PUBLIC SCHOOLS  
BOARD OF EDUCATION  
MOORE, OKLAHOMA

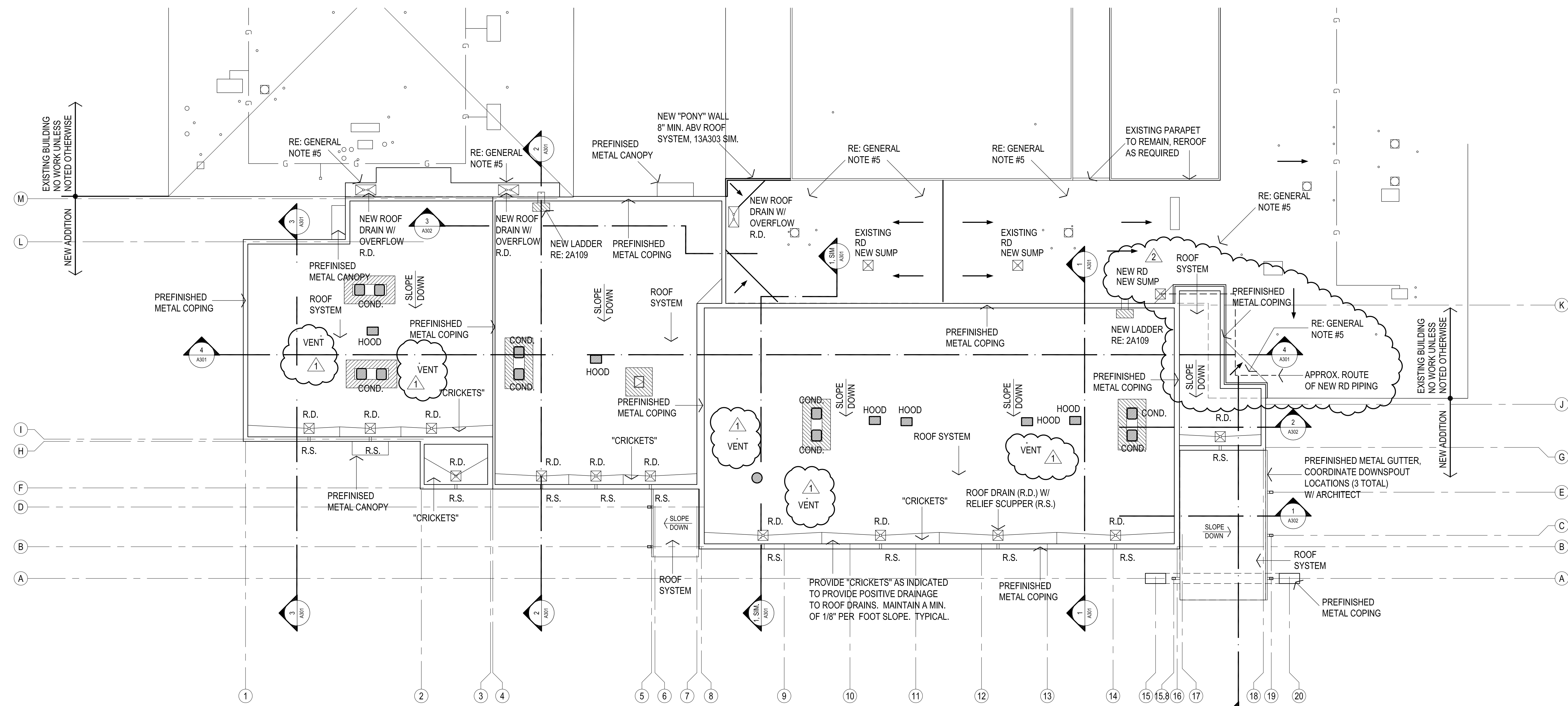
CLASSROOM ADDITION  
CENTRAL JUNIOR  
HIGH SCHOOL

sheet no:

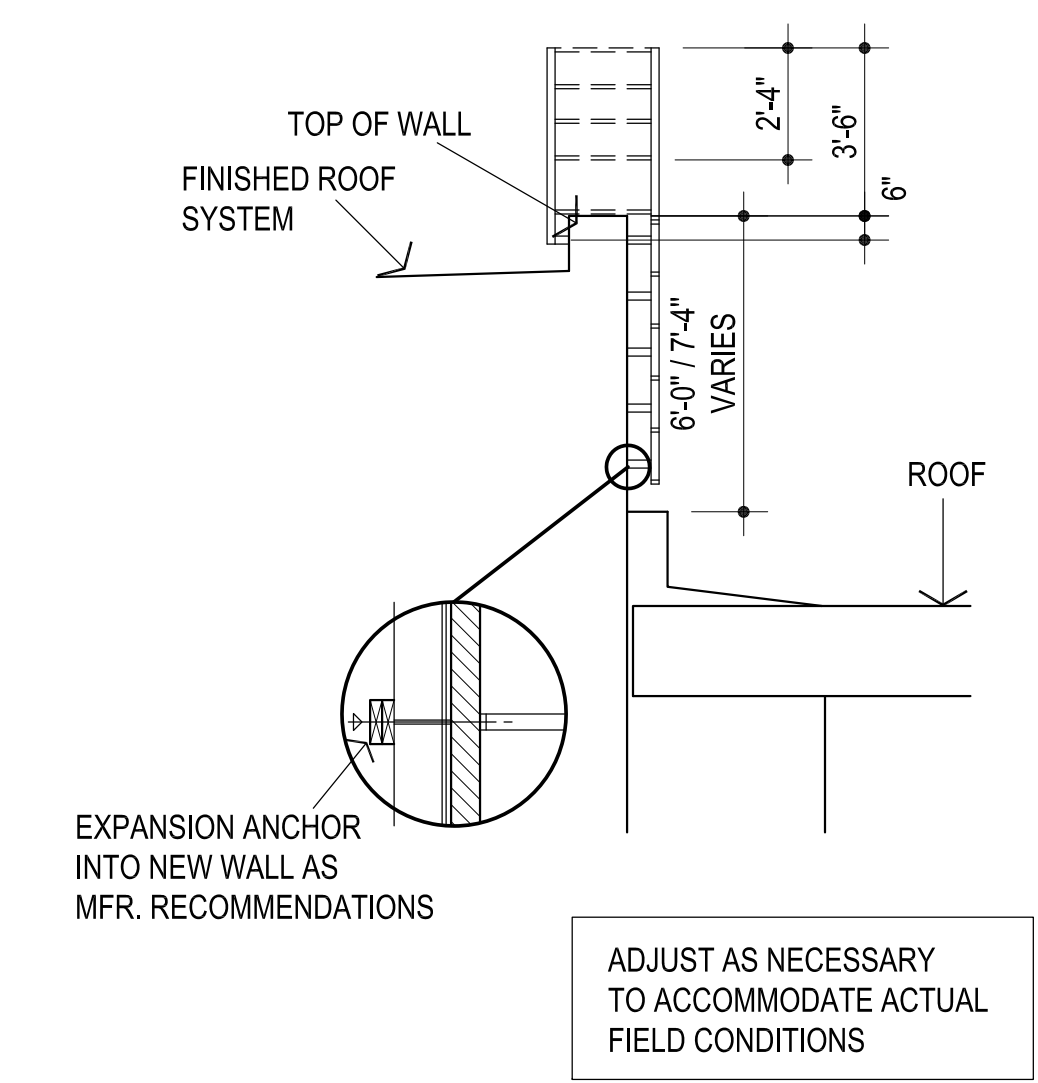
**A109**

ROOF PLAN

OWNERSHIP USE OF DOCUMENTS:  
AGP EXPRESSLY RESERVES ITS  
COPYRIGHT AND OTHER PROPERTY  
RIGHTS OF ALL PLANS AND DRAWINGS  
DESIGNED AND/OR PRODUCED. PLANS  
AND DRAWINGS ARE NOT TO BE  
REPRODUCED IN ANY FORM OR MANNER  
WITHOUT THE EXPRESSED WRITTEN  
CONSENT OF AGP.



**1** ROOF PLAN  
1/16" = 1'-0"  
NORTH



**2** ALUMINUM LADDER  
1/4" = 1'-0"

- NOTES:
1. RE: MECH & ELEC. FOR ADDITIONAL ROOF MOUNTED ITEMS. CONTRACTOR TO COORDINATE ALL ROOF MOUNTED ITEMS & PENETRATIONS W/ APPLICABLE TRADES
  2. CONTRACTOR TO COORDINATE ROOF VENT PENETRATIONS W/ ARCHITECT.
  3. INDICATES NEW WALKWAY PAD LOCATIONS - CUT PADS INTO 5'-0" MAX LENGTHS & PLACE 2' APART TO COVER AREAS INDICATED.
  4. PROVIDE @ ALL ROOF PENETRATIONS - PENETRATION DAM / SEALER POCKETS AS PER 6A115
  5. PROVIDE NEW "CRICKET" AT EXISTING ROOF SYSTEM TO PROVIDE POSITIVE DRAINAGE TO ROOF EDGE / NEW SCUPPER. MAINTAIN A MIN. OF 1/8" PER FOOT SLOPE PROVIDE NEW WOOD BLOCKING, EDGE METAL, ETC. FOR A COMPLETE INSTALLATION. MODIFY EXISTING ROOF SYSTEM AS REQUIRED TO INSTALL NEW OVERLAY AND TAPERED INSULATION TO PROVIDE POSITIVE DRAINAGE TO NEW SCUPPER COORDINATE W/ ARCHITECT
  6. DO NOT SCALE DRAWINGS TO OBTAIN MATERIAL QUANTITIES. USE DRAWINGS WHICH ARE DIMENSIONED OR COORDINATE W/ EXISTING CONDITIONS &/OR ARCHITECT & ENGINEERS.