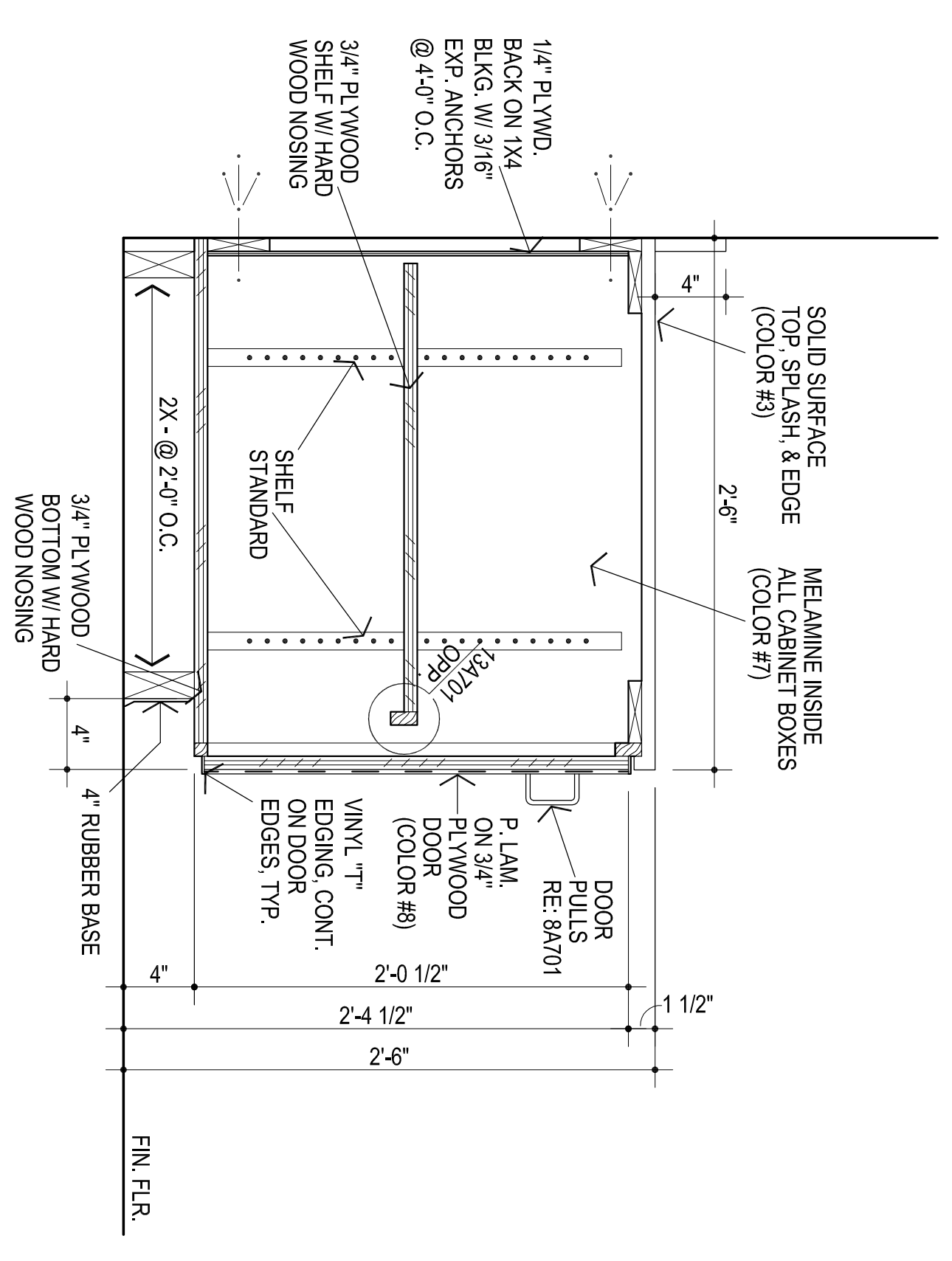
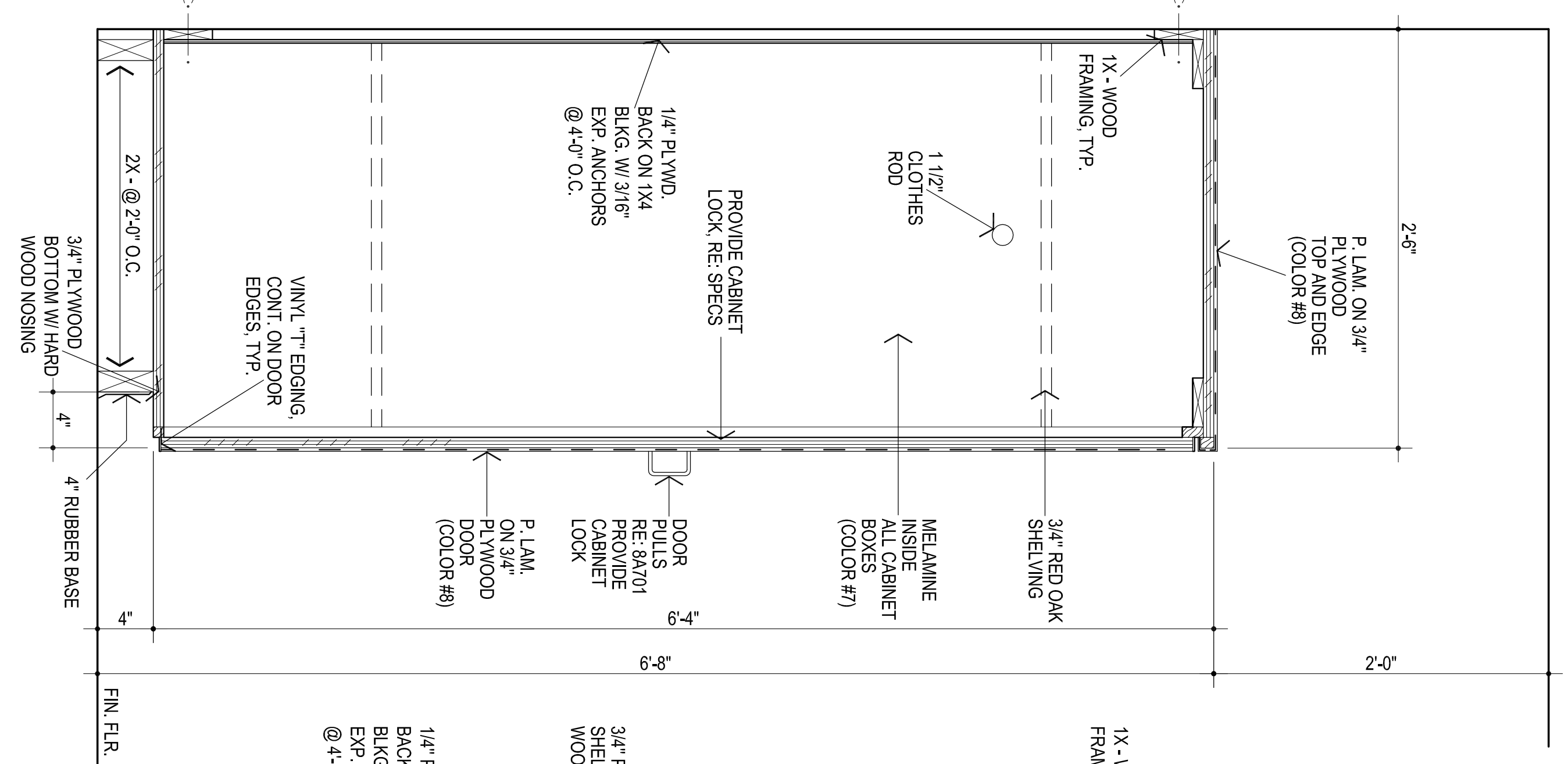


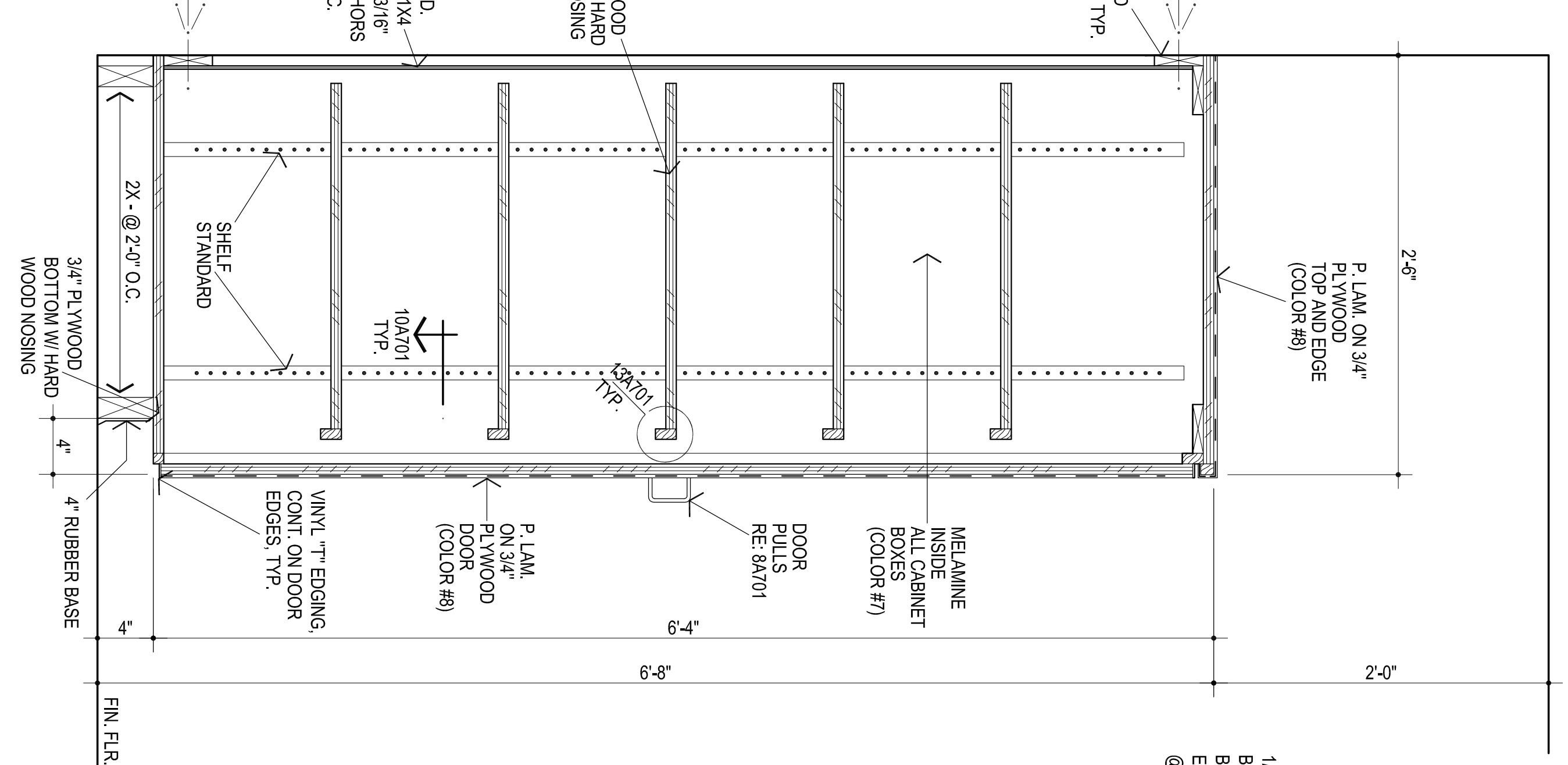
1
BASE CABINET W/DRAWERS
1 1/2" = 1'-0"



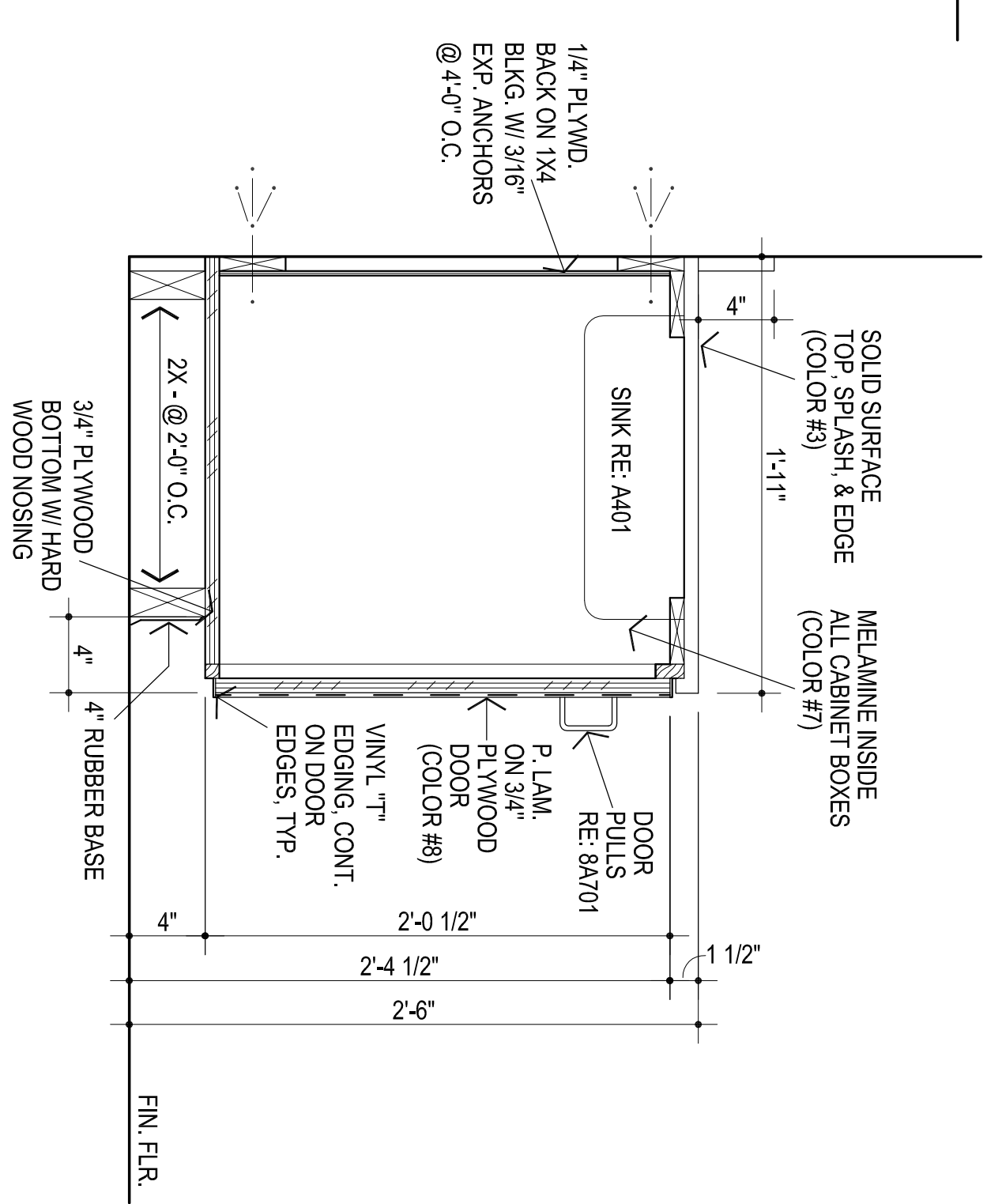
2
BASE CABINET
1 1/2" = 1'-0"



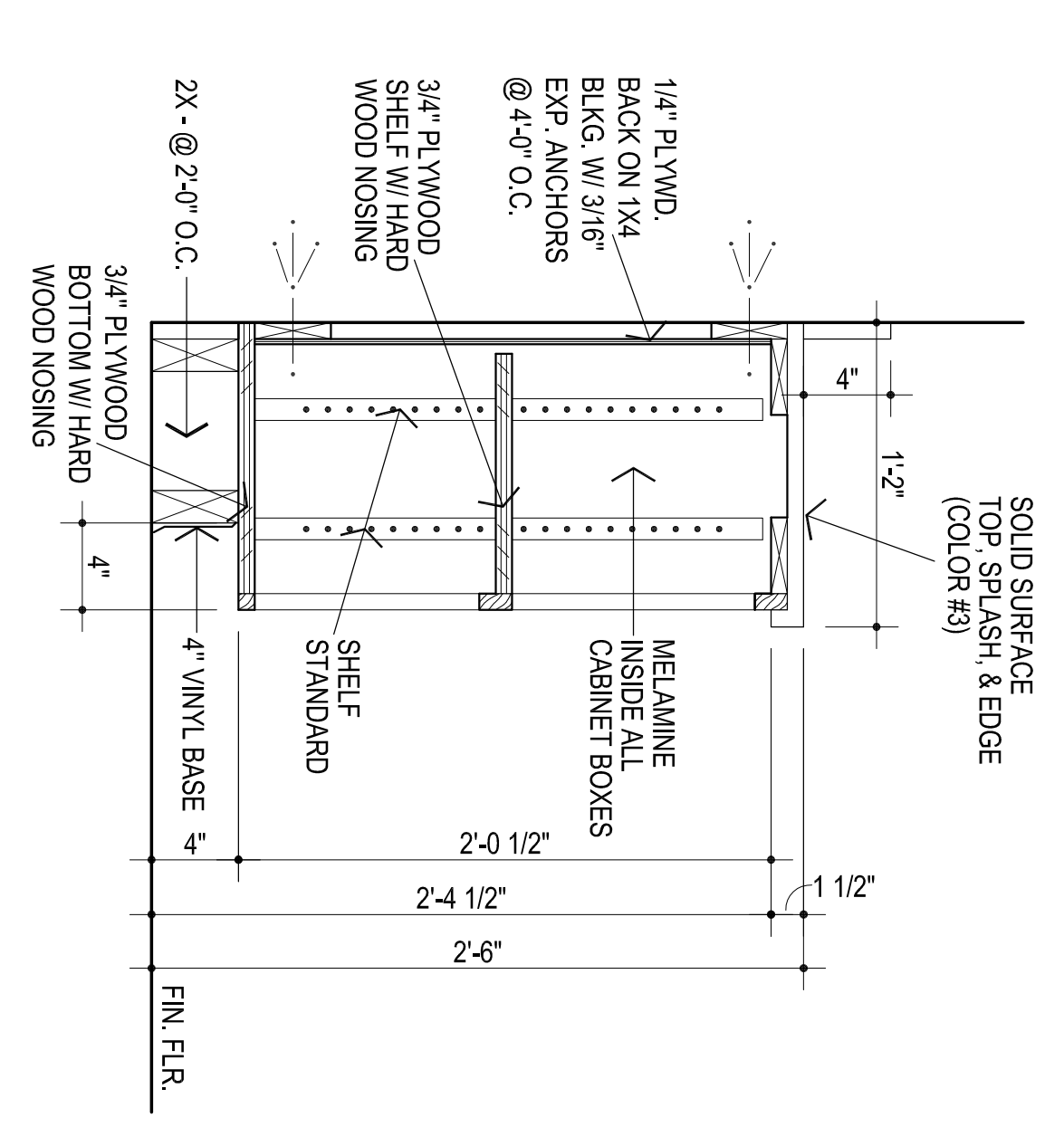
3
TEACHERS CABINET
1 1/2" = 1'-0"



4
TALL CABINET
1 1/2" = 1'-0"

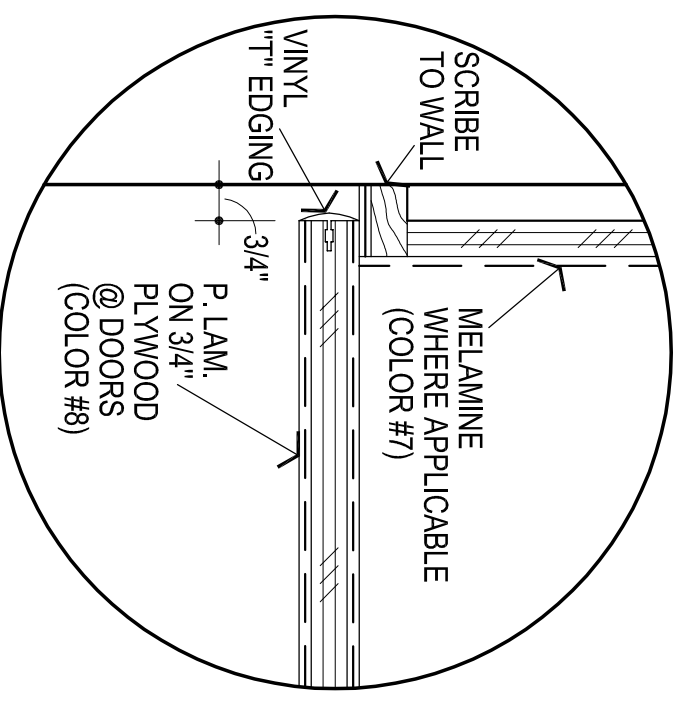


5
SINK SECTION
1 1/2" = 1'-0"

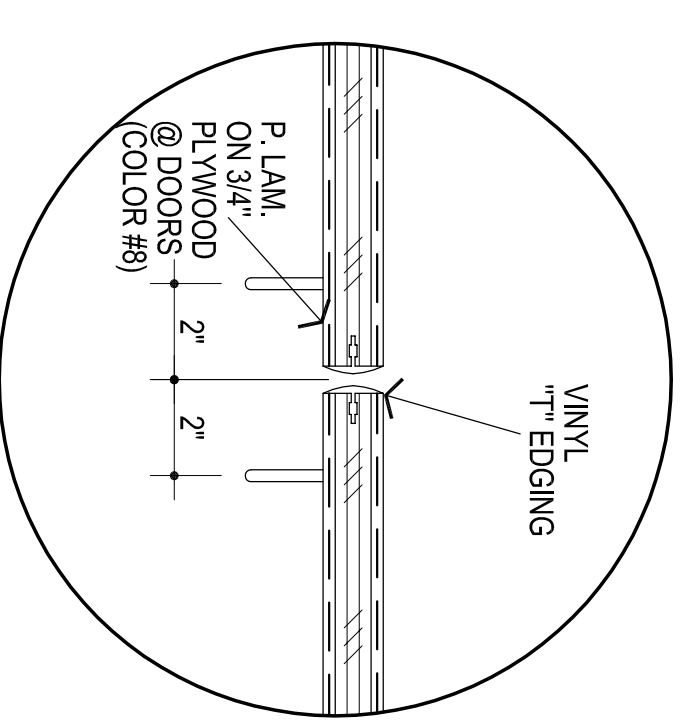


6
BASE CABINET W/ SHELVES
1 1/2" = 1'-0"

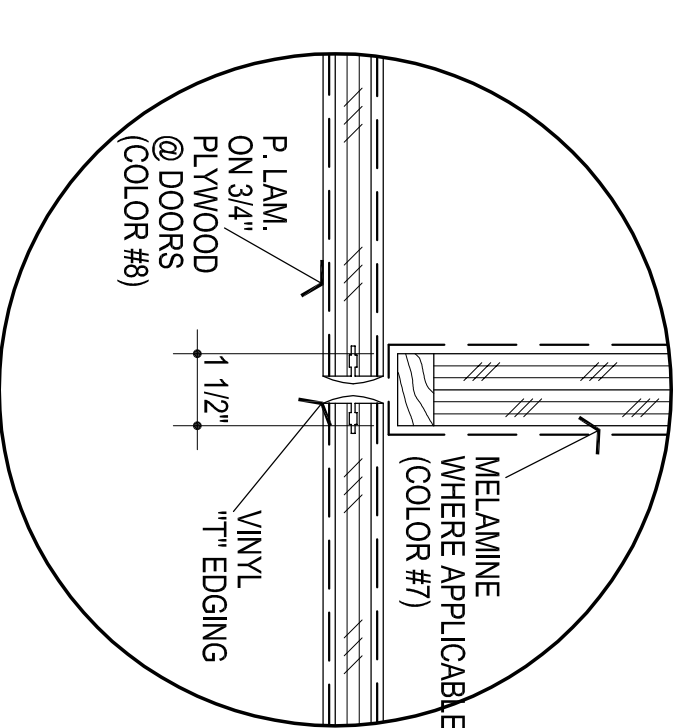
FRAMELESS CABINET / EUROPEAN CONSTRUCTION IS ACCEPTABLE



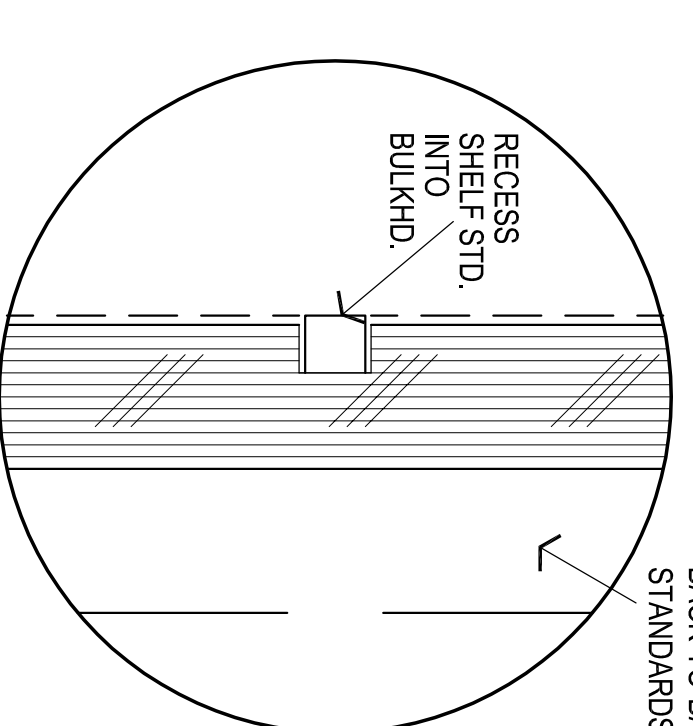
7
DOOR @ WALL
1 1/2" = 1'-0"



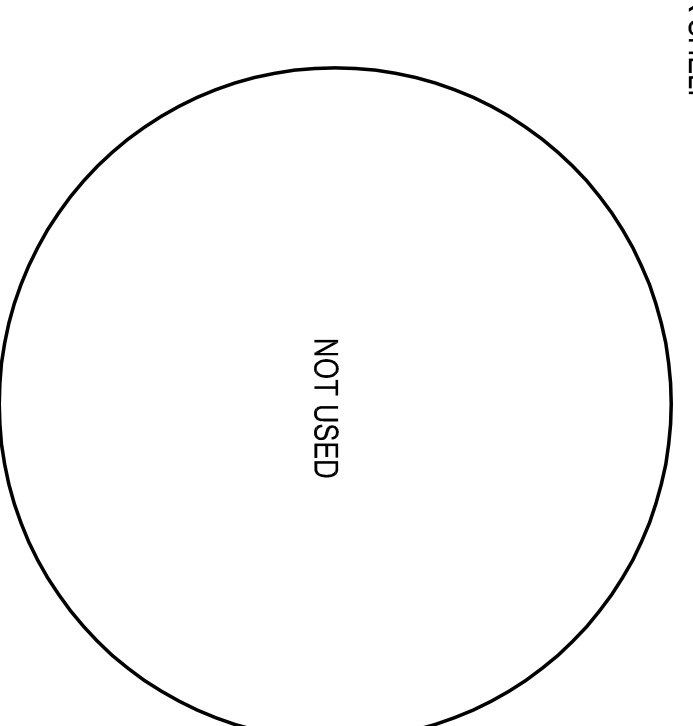
8
PULLS
1 1/2" = 1'-0"



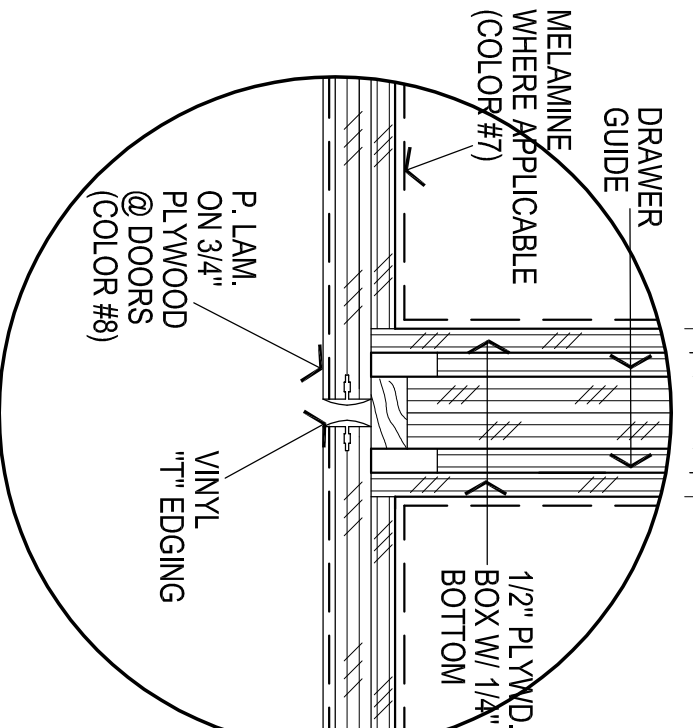
9
DOORS @ STILE
1 1/2" = 1'-0"



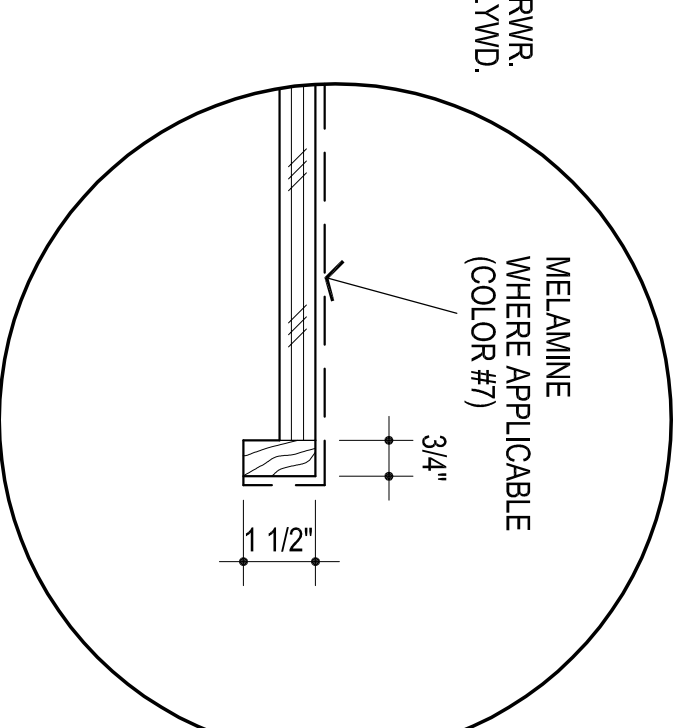
10
RECESSED STANDARDS
1 1/2" = 1'-0"



11
NOT USED



12
DRWR. TO DRWR.
1 1/2" = 1'-0"



13
SHELF EDGE
1 1/2" = 1'-0"

AGP
the Abla Griffin Partnership L.L.C.
201 N. BROADWAY
SUITE 210
MOORE, OK. 73160
405.735.3477
ACGP@theAGP.net
www.theAGP.net

STATE OF OKLAHOMA
MICHAEL L. ABILA
2639
REGISTERED ARCHITECT
1/23/23

CS
drawn by
MA
checked by
JANUARY 2023
date
revisions

MOORE PUBLIC SCHOOLS
BOARD OF EDUCATION
MOORE, OKLAHOMA
LEARNING FOR LIFE
MOORE Public Schools

BROADMOORE
ELEMENTARY SCHOOL
2023 MILLWORK
REPLACEMENT

Sheet No.
A701

OWNERSHIP USE OF DOCUMENTS:
AGP EXPRESSLY RESERVES ITS
COPYRIGHT AND OTHER PROPERTY
RIGHTS OF ALL PLANS AND DRAWINGS
DESIGNED AND/OR PRODUCED. PLANS
REPRODUCED IN ANY FORM OR MANNER
WITHOUT THE EXPRESSED WRITTEN
CONSENT OF AGP.